

Technical Documentation

PDX02085
Optim TEFC | AEHH8N

Date: July 1, 2021

Dimensional Drawing

Catalogue	Type	HP	RPM	Voltage	Hz	Frame Size
PDX02085	AEHH8N	20	900	575	60	324T(X)

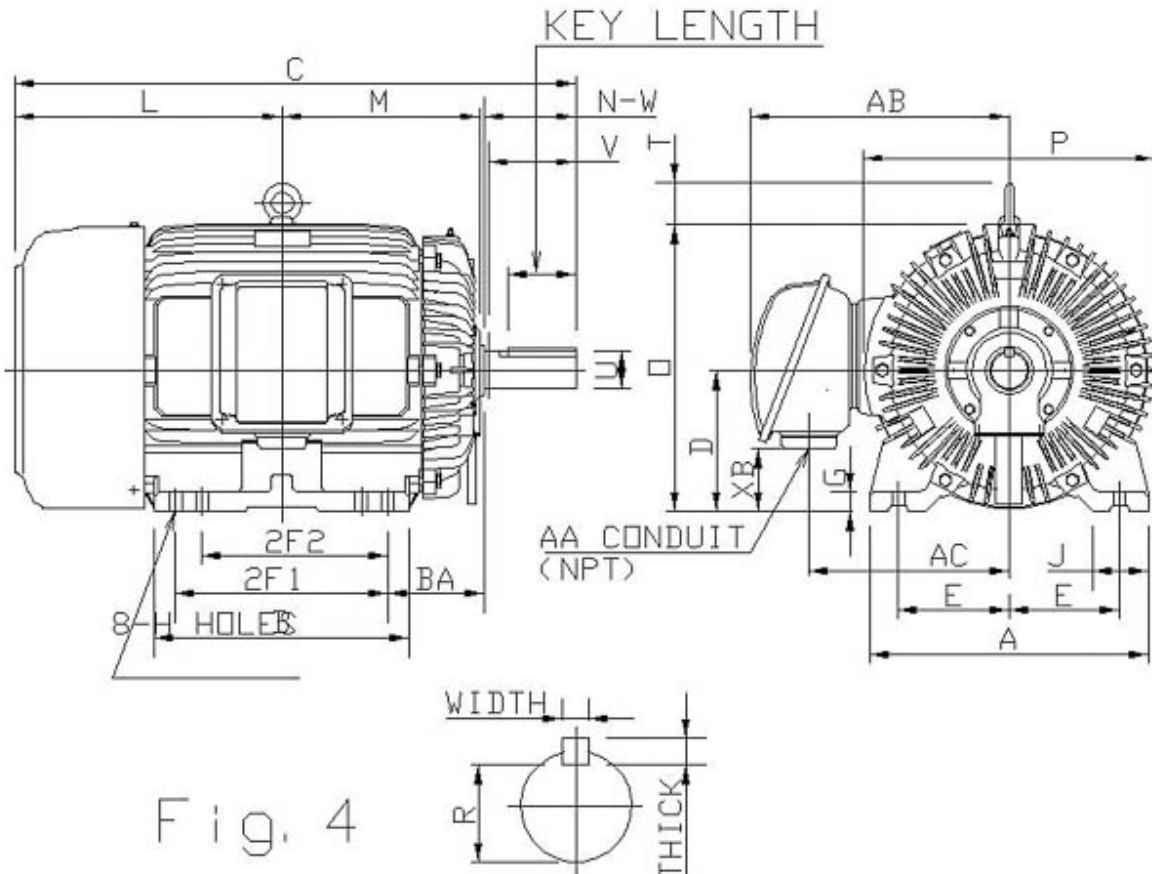


Fig. 4


Mounting					A	B	C	CL1	CL2	D	G
E	2F1	2F2	H	BA							
6.25	10.5		0.67	5.25	15.75	12.87	29.49			8	1.1

J	K	L	M	O	P	T
3.15		13.74	10.22	15.5	15.91	2.36

Terminal Housing			
AA	AB	AC	XB
2	16.07	12.2	3.59

Shaft Extension			Key			Keyseat
N-W	U	V	Width	Thick	Length	R
5.25	2.125	5.15	0.5	0.5	3.91	1.845

Bearings		Weight Lbs	Drive Method	Dimensions
DE	NDE			
6312	6310	549	Direct Coupling / Belt Drive	Inches

 MOTORS (CANADA) INC.	
	Date: July 1, 2021

Technical Data Sheet

Motor Type: AEHH8N	Catalogue No: PDX02085
--------------------	------------------------

Nameplate Information

HP	Pole	RPM	Frame	Voltage	Hz	Phase
20	8	875	324T(X)	575	60	3
Enclosure	Ins. Class	Service Factor	Time Rating	NEMA Design	Rated Amb.	Rated Altitude
TEFC	F	1.15	Continuous	C	-40 to 40 °C	<1000 m

Typical Performance

Efficiency (%)				Power Factor (%)		
Full Load		3/4 Load	1/2 Load	Full Load	3/4 Load	1/2 Load
Nom.	Min.					
91.00	89.50	91.70	91.70	79.00	75.00	65.00
Torque				Current (A)		
Full Load (lb-ft)	Locked Rotor (% FLT)	Pull Up (% FLT)	Break Down (% FLT)	No Load	Full Load	Locked Rotor
120.00	210	160	230	9.0	20.8	116.00
NEMA KVA Code	Inertia (WR ²)			Safe Stall Time (s)		Noise Level Sound Press. dB(A)
	Rotor (lb-ft ²)	NEMA Load (lb-ft ²)	Max. Allowable (lb-ft ²)	Cold	Hot	
G	8.340	525.00	1366.00	29	20	65.0

VFD Duty Information

Speed Range			VFD		S.F.
Constant Torque	Variable Torque	Constant Power	Carrier	Type	
6-60Hz	3-60Hz	60-120Hz	0	VPWM or CPWM	1.0 Only

Hazardous Locations Information

CSA Certified
Class I, Div 2, Groups B, C & D Class I, Zone 2, Groups IIB+H2, IIB & IIA
Temp Code (Sinewave / VFD) T3 / T3

Additional Certifications

Other Certification

Additional Information

Bearings		Approx. Weight
DE	NDE	lbs
6312	6310	549

Nameplate Drawing

Optim TEFC

TYPE	AEHH8N		CAT. NO.	PDX02085		
OUTPUT	20 HP	14.92 kW	FRAME	324T(X)	TEFC	
R.P.M.	875		POLE	8	INS.	F
VOLTS	575		PHASE	3	Hz	60
AMPS	20.8		CODE	G	S.F.	1.15
AMBIENT	40 °C		NOM. EFF. 91.00		MIN. EFF. 89.50	
BEARINGS	6312 / 6310				RATING Cont.	
SER. NO.	TBD		DESIGN	C	WT. 549 LBS	
PWM VFD DUTY	VT	CT	CP		S.F.	
	3-60Hz	6-60Hz	60-120Hz		1.0 Only	

Connection Diagram

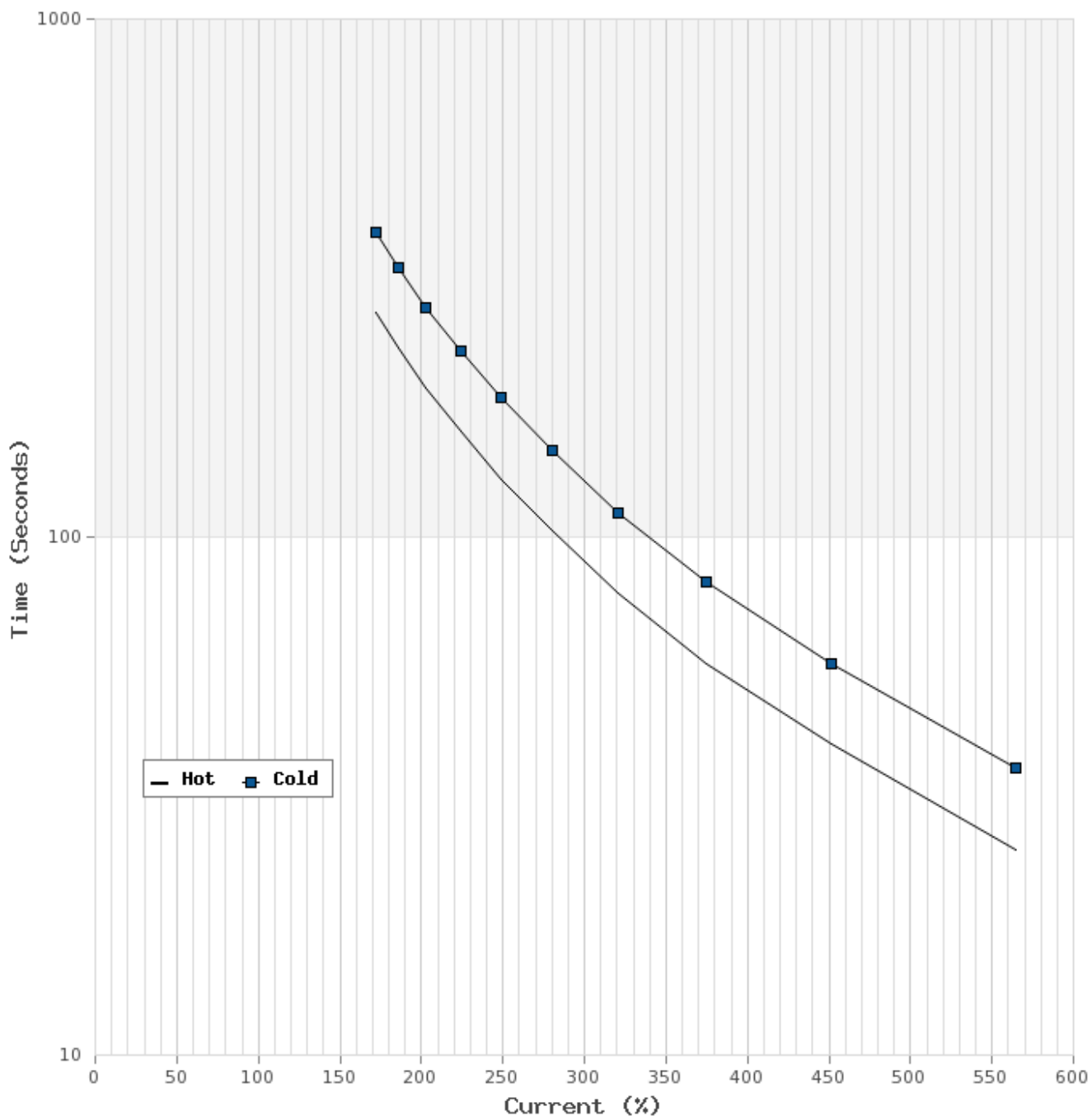


3 LEAD		SINGLE VOLTAGE			DELTA
VOLTAGE	CONN.	L1	L2	L3	
-	DELTA	1	2	3	

WD_3D

Thermal Limit Curves

Motor Type: AEHH8N		Catalogue No: PDX02085		Family: Optim TEFC	
HP	20	Safe Stall Time		Full Load A	20.8 A
Voltage	575V 60Hz	Hot	20 s	% Inrush	557 %
RPM	900	Cold	29 s	Locked Rotor A	116.00 A



T-N and I-N Curves

Motor Type: AEHH8N		Catalogue No: PDX02085		Family: Optim TEFC	
HP	20	Full Load T	120.00 lb-ft	Full Load A	20.8 A
Voltage	575V 60Hz	Locked Rotor T	210 %	Locked Rotor A	116.0 A
RPM	900	Pull Up T	160 %	Break Down T	230 %

