

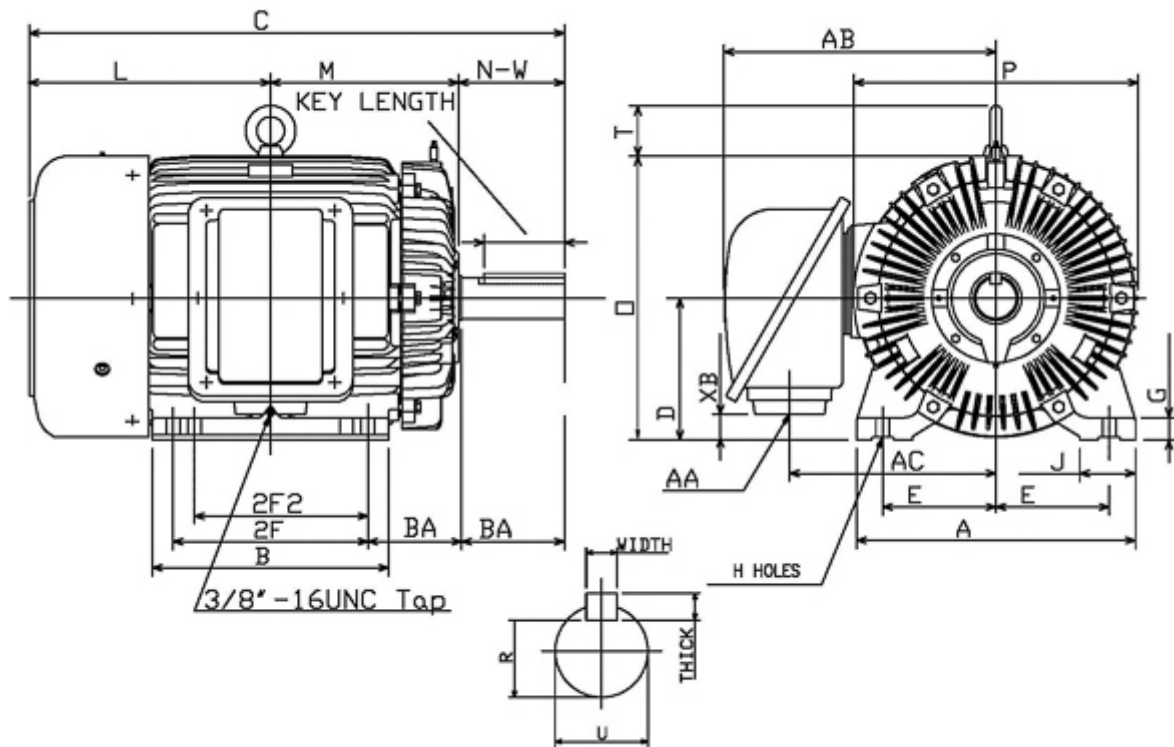
Technical Documentation

APH07565
Advantage Plus IEEE Ready | AEHH8R


Date: June 26, 2020

Dimensional Drawing

| Catalogue | Model | HP | Pole | kW | Rating | Voltage | Hz | RPM |
|-----------|--------|----|------|----|------------|---------|----|------|
| APH07565 | AEHH8R | 75 | 6 | 56 | Continuous | 575 | 60 | 1200 |



| Frame Size | Mounting | | | | | A | B | C | CD | D | |
|------------------|----------|-------|----------|---------|--------------------|-------------|------------|-------|------------------------------|------------|---------|
| | E | 2F | 2F2 | H | BA | | | | | | |
| 405T | 8 | 13.75 | 12.25 | 0.81 | 6.62 | 19.68 | 16.73 | 37.99 | | 10 | |
| G | J | K | L | M | O | P | T | Key | | | Keyseat |
| 1.57 | 3.94 | | 17.24 | 13.27 | 20 | 20.08 | 3.54 | Width | Thick | Length | R |
| | | | | | | | | 0.75 | 0.75 | 5.65 | 2.45 |
| Terminal Housing | | | Aux Box | | | C/D Flange | | | | | |
| AA | AB | AC | XB | AE | AX | BB | AH | AK | BD | AJ | BF |
| NPT3" | 19.41 | 14.76 | 1.81 | | | | | | | | |
| Shaft Extension | | | Bearings | | Approx. Weight Lbs | SPL dBA/3ft | Ins. Class | S.F. | Drive Method | Dimensions | |
| N-W | U | V | DE | NDE | | | | | | | |
| 7.25 | 2.875 | 7.16 | 6317C3 | 6313ZC3 | 1298 | 78 | F | 1.15 | Direct Coupling / Belt Drive | Inches | |

| | |
|---|---------------------|
|  | |
| | |
| | Date: June 26, 2020 |

Technical Data Sheet

| | |
|--------------------|------------------------|
| Motor Type: AEHH8R | Catalogue No: APH07565 |
|--------------------|------------------------|

Nameplate Information

| | | | | | | |
|-----------|------------|----------------|-------------|-------------|--------------|----------------|
| HP | Pole | RPM | Frame | Voltage | Hz | Phase |
| 75 | 6 | 1180 | 405T | 575 | 60 | 3 |
| Enclosure | Ins. Class | Service Factor | Time Rating | NEMA Design | Rated Amb. | Rated Altitude |
| TEFC | F | 1.15 | Continuous | B | -40 to 40 °C | <1000 m |

Typical Performance

| Efficiency (%) | | | | Power Factor (%) | | |
|-------------------|-----------------------------|---------------------------------|--------------------------------------|---------------------|-----------|--------------------------------|
| Full Load | | 3/4 Load | 1/2 Load | Full Load | 3/4 Load | 1/2 Load |
| Nom. | Min. | | | | | |
| 94.5 | 93.6 | 94.5 | 94.5 | 86.5 | 84.5 | 79.0 |
| Torque | | | | Current (A) | | |
| Full Load (lb-ft) | Locked Rotor (% FLT) | Pull Up (% FLT) | Break Down (% FLT) | No Load | Full Load | Locked Rotor |
| 333.70 | 200 | 175 | 225 | 18.1 | 68.7 | 434 |
| NEMA KVA Code | Inertia (WR ²) | | | Safe Stall Time (s) | | Noise Level Sound Press. dB(A) |
| | Rotor (lb-ft ²) | NEMA Load (lb-ft ²) | Max. Allowable (lb-ft ²) | Cold | Hot | |
| G | 37.862 | 904.00 | 2050.00 | 30 | 21 | 78 |

VFD Duty Information

| Speed Range | | | VFD | | S.F. |
|-----------------|-----------------|----------------|---------|--------------|----------|
| Constant Torque | Variable Torque | Constant Power | Carrier | Type | |
| 6-60Hz | 3-60Hz | 60-120Hz | ≤ 5 kHz | VPWM or CPWM | 1.0 Only |

Hazardous Locations Information

| |
|--|
| CSA Certified |
| Class I, Div 2, Groups B, C & D Class I, Zone 2, Groups IIB+H2, IIB & IIA |
| Temp Code (Sinewave / VFD) |
| T3C / T3 |

Additional Certifications

| |
|-------------------------------|
| Other Certification |
| Class II, Div 2, Groups F & G |

Additional Information

| Bearings | | Approx. Weight |
|----------|---------|----------------|
| DE | NDE | lbs |
| 6317C3 | 6313ZC3 | 1298 |

Nameplate Drawing

Advantage Plus IEEE Ready

| | | | | | |
|-----------------|------------------|----------------|----------|----------------|------|
| TYPE | AEHH8R | CAT. NO. | APH07565 | | |
| OUTPUT | 75 HP 56 kW | FRAME | 405T | TEFC | |
| R.P.M. | 1180 | POLE | 6 | INS. | F |
| VOLTS | 575 | PHASE | 3 | Hz | 60 |
| AMPS | 68.7 | CODE | G | S.F. | 1.15 |
| AMBIENT | 40 °C | NOM. EFF. 94.5 | | MIN. EFF. 93.6 | |
| BEARINGS | 6317C3 / 6313ZC3 | | | RATING Cont. | |
| SER. NO. | TBD | DESIGN | B | WT. 1298 LBS | |
| PWM VFD DUTY | VT | CT | CP | S.F. | |
| | 3-60Hz | 6-60Hz | 60-120Hz | 1.0 Only | |

Connection Diagram

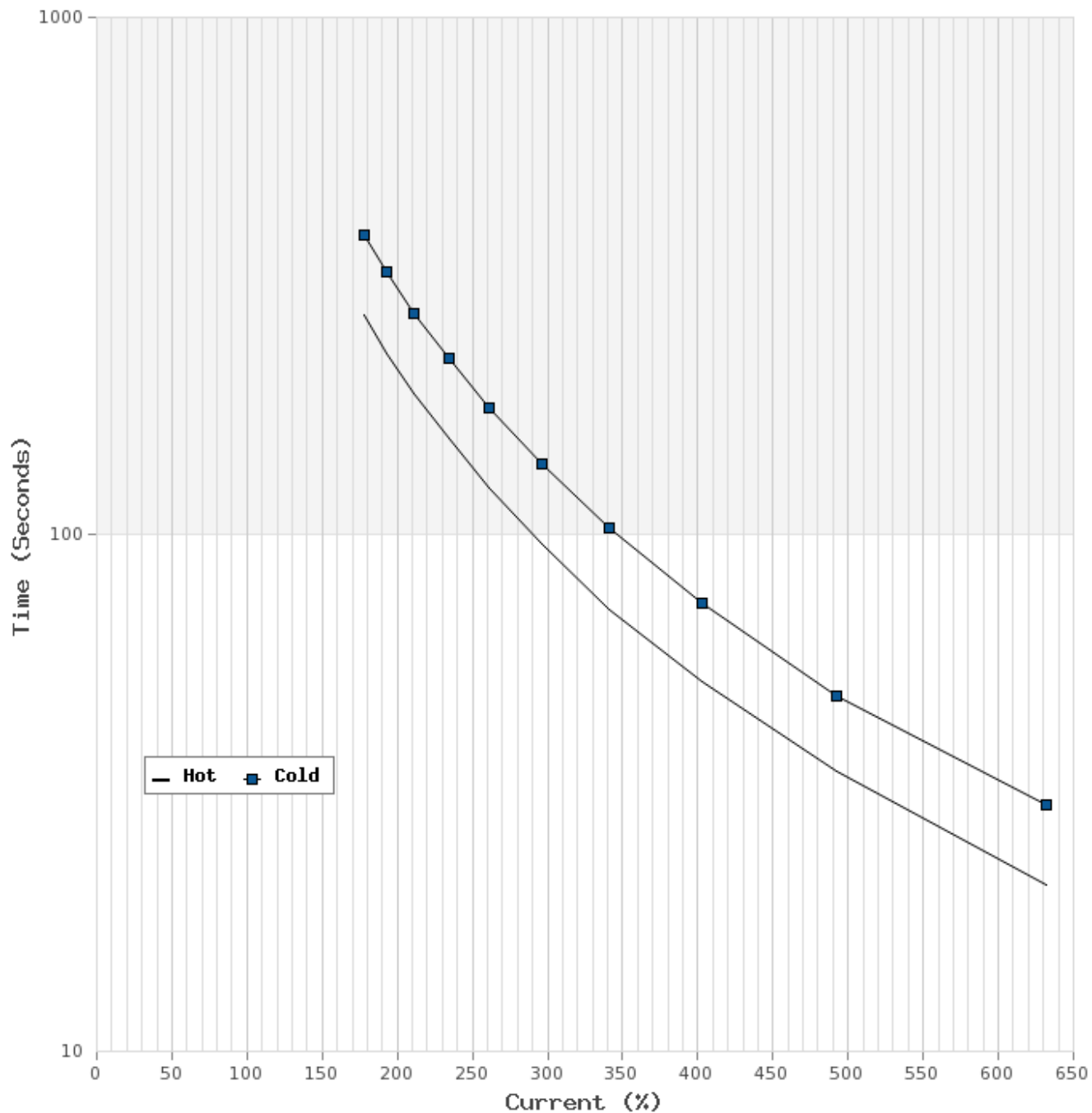


| 3 LEAD | | SINGLE VOLTAGE | | | DELTA |
|---------|-------|----------------|----|----|-------|
| VOLTAGE | CONN. | L1 | L2 | L3 | |
| - | DELTA | 1 | 2 | 3 | |

WD_3D

Thermal Limit Curves

| | | | | | |
|--------------------|-----------|------------------------|------|-----------------------------------|--------|
| Motor Type: AEHH8R | | Catalogue No: APH07565 | | Family: Advantage Plus IEEE Ready | |
| HP | 75 | Safe Stall Time | | Full Load A | 68.7 A |
| Voltage | 575V 60Hz | Hot | 21 s | % Inrush | 631 % |
| RPM | 1200 | Cold | 30 s | Locked Rotor A | 434 A |



T-N and I-N Curves

| | | | | | |
|--------------------|-----------|------------------------|--------------|-----------------------------------|---------|
| Motor Type: AEHH8R | | Catalogue No: APH07565 | | Family: Advantage Plus IEEE Ready | |
| HP | 75 | Full Load T | 333.70 lb-ft | Full Load A | 68.7 A |
| Voltage | 575V 60Hz | Locked Rotor T | 200 % | Locked Rotor A | 434.0 A |
| RPM | 1200 | Pull Up T | 175 % | Break Down T | 225 % |

