

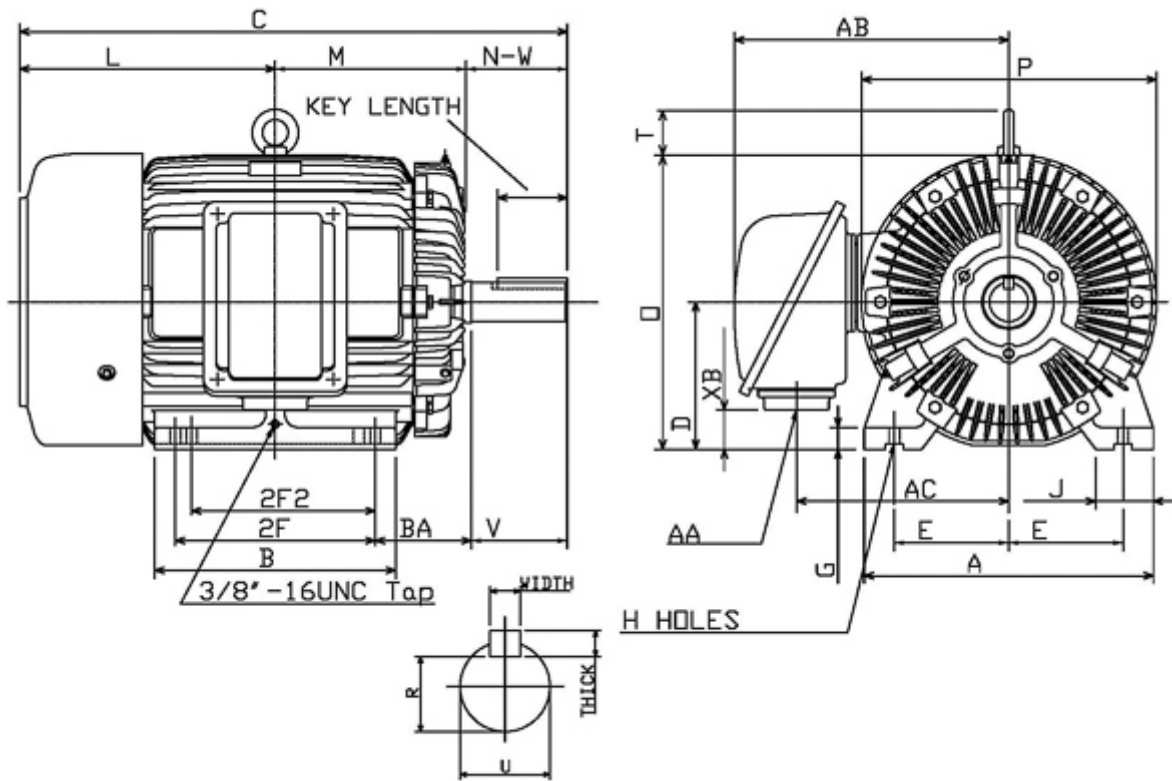
Technical Documentation

**APH03065-841**  
**Advantage Plus IEEE 841 | AEHH8B**


Date: June 29, 2020

**Dimensional Drawing**

| Catalogue    | Model  | HP | Pole | kW | Rating     | Voltage | Hz | RPM  |
|--------------|--------|----|------|----|------------|---------|----|------|
| APH03065-841 | AEHH8B | 30 | 6    | 22 | Continuous | 575     | 60 | 1200 |



| Frame Size       | Mounting |      |          |         |                       | A              | B             | C     | CD                                 | D          |              |
|------------------|----------|------|----------|---------|-----------------------|----------------|---------------|-------|------------------------------------|------------|--------------|
|                  | E        | 2F   | 2F2      | H       | BA                    |                |               |       |                                    |            |              |
| 326T             | 6.25     | 12   | 10.5     | 0.66    | 5.25                  | 15.75          | 14.37         | 31.43 |                                    | 8          |              |
| G                | J        | K    | L        | M       | O                     | P              | T             | Key   |                                    |            | Keyseat<br>R |
|                  |          |      |          |         |                       |                |               | Width | Thick                              | Length     |              |
| 1.1              | 3.15     |      | 14.93    | 10.85   | 16.22                 | 16.55          | 2.36          | 0.5   | 0.5                                | 3.91       | 1.845        |
| Terminal Housing |          |      | Aux Box  |         |                       | C/D Flange     |               |       |                                    |            |              |
| AA               | AB       | AC   | XB       | AE      | AX                    | BB             | AH            | AK    | BD                                 | AJ         | BF           |
| NPT2"            | 14.72    | 11.3 | 3.59     |         |                       |                |               |       |                                    |            |              |
| Shaft Extension  |          |      | Bearings |         | Approx.<br>Weight Lbs | SPL<br>dBA/3ft | Ins.<br>Class | S.F.  | Drive Method                       | Dimensions |              |
| N-W              | U        | V    | DE       | NDE     |                       |                |               |       |                                    |            |              |
| 5.25             | 2.125    | 5.15 | 6312ZC3  | 6212ZC3 | 695                   | 72             | F             | 1.15  | Direct<br>Coupling / Belt<br>Drive | Inches     |              |

|   |                     |
|---|---------------------|
| <br>MOTORS (CANADA) INC. |                     |
|   |                     |
|   | Date: June 29, 2020 |

### Technical Data Sheet

|                    |                            |
|--------------------|----------------------------|
| Motor Type: AEHH8B | Catalogue No: APH03065-841 |
|--------------------|----------------------------|

#### Nameplate Information

|           |            |                |             |             |              |                |
|-----------|------------|----------------|-------------|-------------|--------------|----------------|
| HP        | Pole       | RPM            | Frame       | Voltage     | Hz           | Phase          |
| 30        | 6          | 1175           | 326T        | 575         | 60           | 3              |
| Enclosure | Ins. Class | Service Factor | Time Rating | NEMA Design | Rated Amb.   | Rated Altitude |
| TEFC      | F          | 1.15           | Continuous  | B           | -40 to 40 °C | <1000 m        |

#### Typical Performance

| Efficiency (%)    |                             |                                 |                                      | Power Factor (%)    |           |                                |
|-------------------|-----------------------------|---------------------------------|--------------------------------------|---------------------|-----------|--------------------------------|
| Full Load         |                             | 3/4 Load                        | 1/2 Load                             | Full Load           | 3/4 Load  | 1/2 Load                       |
| Nom.              | Min.                        |                                 |                                      |                     |           |                                |
| 93.0              | 91.7                        | 93.6                            | 93.6                                 | 80.5                | 78.5      | 71.0                           |
| Torque            |                             |                                 |                                      | Current (A)         |           |                                |
| Full Load (lb-ft) | Locked Rotor (% FLT)        | Pull Up (% FLT)                 | Break Down (% FLT)                   | No Load             | Full Load | Locked Rotor                   |
| 134.10            | 210                         | 180                             | 230                                  | 9.3                 | 30.0      | 174                            |
| NEMA KVA Code     | Inertia (WR <sup>2</sup> )  |                                 |                                      | Safe Stall Time (s) |           | Noise Level Sound Press. dB(A) |
|                   | Rotor (lb-ft <sup>2</sup> ) | NEMA Load (lb-ft <sup>2</sup> ) | Max. Allowable (lb-ft <sup>2</sup> ) | Cold                | Hot       |                                |
| G                 | 12.372                      | 384.00                          | 636.00                               | 17                  | 12        | 72                             |

#### VFD Duty Information

| Speed Range     |                 |                | VFD     |              | S.F.     |
|-----------------|-----------------|----------------|---------|--------------|----------|
| Constant Torque | Variable Torque | Constant Power | Carrier | Type         |          |
| 6-60Hz          | 3-60Hz          | 60-120Hz       | ≤ 5 kHz | VPWM or CPWM | 1.0 Only |

#### Hazardous Locations Information

|  |
|--|
| CSA Certified  |
| Class I, Div 2, Groups B, C & D<br>Class I, Zone 2, Groups IIB+H2, IIB & IIA |
| Temp Code (Sinewave / VFD)      T3C / T3B                                    |

#### Additional Certifications

|                     |
|---------------------|
| Other Certification |
|---------------------|

#### Additional Information

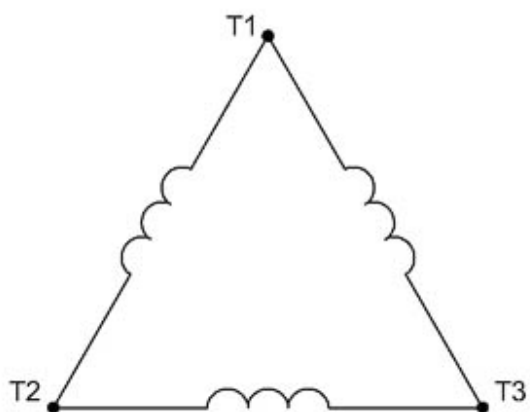
| Bearings |         | Approx. Weight |
|----------|---------|----------------|
| DE       | NDE     | lbs            |
| 6312ZC3  | 6212ZC3 | 695            |

**Nameplate Drawing**

# Advantage Plus IEEE 841

|                 |                   |                |              |                |      |
|-----------------|-------------------|----------------|--------------|----------------|------|
| TYPE            | AEHH8B            | CAT. NO.       | APH03065-841 |                |      |
| OUTPUT          | 30 HP 22 kW       | FRAME          | 326T         | TEFC           |      |
| R.P.M.          | 1175              | POLE           | 6            | INS.           | F    |
| VOLTS           | 575               | PHASE          | 3            | Hz             | 60   |
| AMPS            | 30.0              | CODE           | G            | S.F.           | 1.15 |
| AMBIENT         | 40 °C             | NOM. EFF. 93.0 |              | MIN. EFF. 91.7 |      |
| BEARINGS        | 6312ZC3 / 6212ZC3 |                |              | RATING Cont.   |      |
| SER. NO.        | TBD               | DESIGN         | B            | WT. 695 LBS    |      |
| PWM VFD<br>DUTY | VT                | CT             | CP           | S.F.           |      |
|                 | 3-60Hz            | 6-60Hz         | 60-120Hz     | 1.0 Only       |      |

**Connection Diagram**

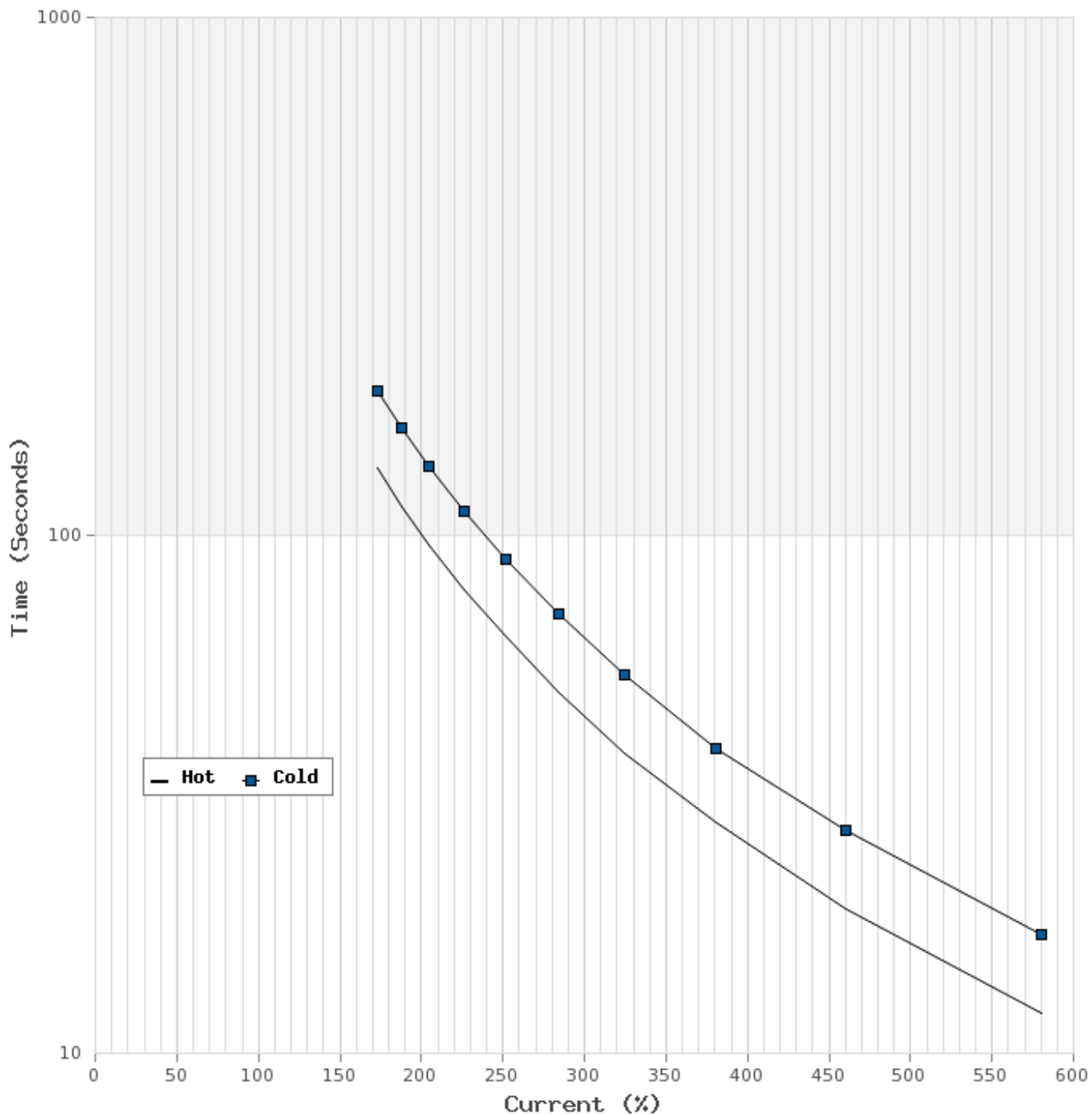


| 3 LEAD  |       | SINGLE VOLTAGE |    |    | DELTA |
|---------|-------|----------------|----|----|-------|
| VOLTAGE | CONN. | L1             | L2 | L3 |       |
| -       | DELTA | 1              | 2  | 3  |       |

WD\_3D

### Thermal Limit Curves

|                    |           |                            |      |                                 |        |
|--------------------|-----------|----------------------------|------|---------------------------------|--------|
| Motor Type: AEHH8B |           | Catalogue No: APH03065-841 |      | Family: Advantage Plus IEEE 841 |        |
| HP                 | 30        | Safe Stall Time            |      | Full Load A                     | 30.0 A |
| Voltage            | 575V 60Hz | Hot                        | 12 s | % Inrush                        | 580 %  |
| RPM                | 1200      | Cold                       | 17 s | Locked Rotor A                  | 174 A  |



**T-N and I-N Curves**

|                    |           |                            |              |                                 |         |
|--------------------|-----------|----------------------------|--------------|---------------------------------|---------|
| Motor Type: AEHH8B |           | Catalogue No: APH03065-841 |              | Family: Advantage Plus IEEE 841 |         |
| HP                 | 30        | Full Load T                | 134.10 lb-ft | Full Load A                     | 30.0 A  |
| Voltage            | 575V 60Hz | Locked Rotor T             | 210 %        | Locked Rotor A                  | 174.0 A |
| RPM                | 1200      | Pull Up T                  | 180 %        | Break Down T                    | 230 %   |

