

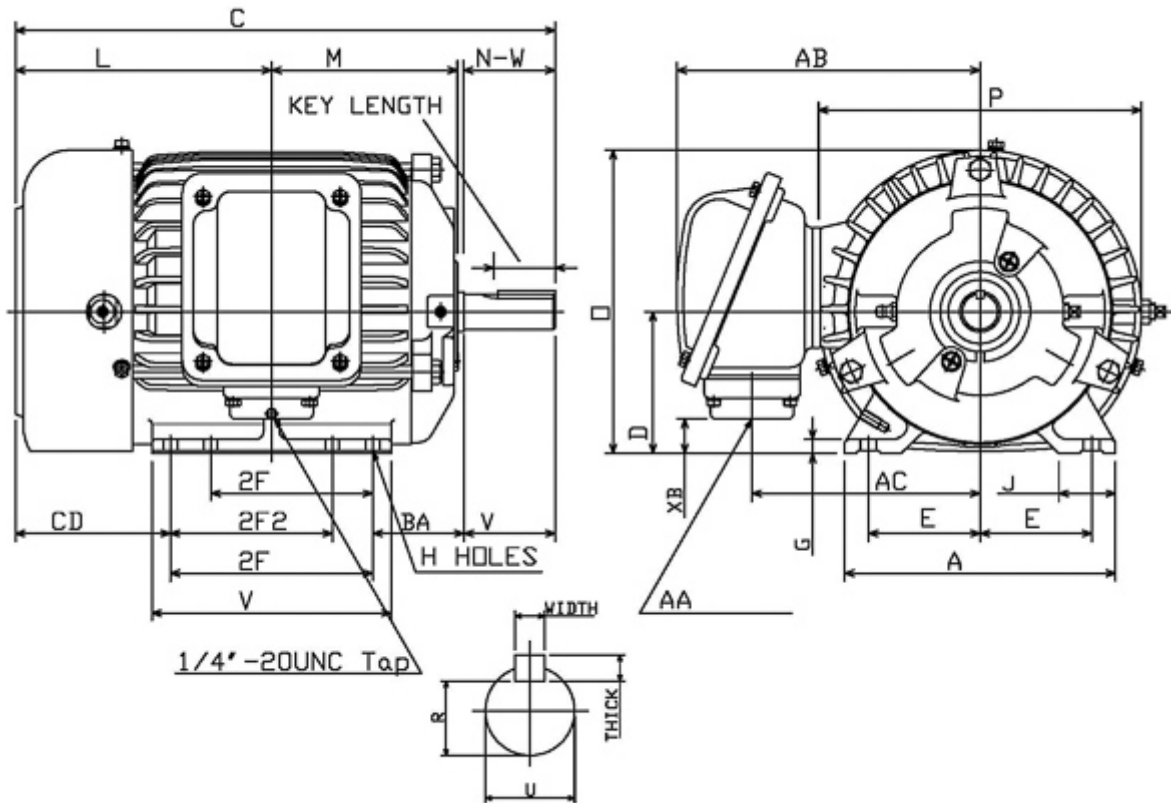
Technical Documentation

APH00165-841
Advantage Plus IEEE 841 | AEHH8B


Date: June 26, 2020

Dimensional Drawing

Catalogue	Model	HP	Pole	kW	Rating	Voltage	Hz	RPM
APH00165-841	AEHH8B	1	6	0.75	Continuous	575	60	1200



Frame Size	Mounting					A	B	C	CD	D	
	E	2F	2F2	H	BA						
145T	2.75	5	4	0.34	2.25	6.7	5.1	13.54		3.5	
G	J	K	L	M	O	P	T	Key			Keyseat
0.35	1.4		6.54	4.53	7.48	7.95		Width	Thick	Length	R
								0.188	0.188	1.41	0.771
Terminal Housing			Aux Box			C/D Flange					
AA	AB	AC	XB	AE	AX	BB	AH	AK	BD	AJ	BF
NPT3/4"	7.56	5.63	0.86								
Shaft Extension			Bearings		Approx. Weight Lbs	SPL dBA/3ft	Ins. Class	S.F.	Drive Method	Dimensions	
N-W	U	V	DE	NDE							
2.25	0.875	2.2	6205ZC3	6205ZC3	59	50	F	1.15	Direct Coupling / Belt Drive	Inches	

 MOTORS (CANADA) INC.	
	Date: June 26, 2020

Technical Data Sheet

Motor Type: AEHH8B	Catalogue No: APH00165-841
--------------------	----------------------------

Nameplate Information

HP	Pole	RPM	Frame	Voltage	Hz	Phase
1	6	1150	145T	575	60	3
Enclosure	Ins. Class	Service Factor	Time Rating	NEMA Design	Rated Amb.	Rated Altitude
TEFC	F	1.15	Continuous	B	-40 to 40 °C	<1000 m

Typical Performance

Efficiency (%)				Power Factor (%)		
Full Load		3/4 Load	1/2 Load	Full Load	3/4 Load	1/2 Load
Nom.	Min.					
82.5	80.0	82.5	80.0	65.5	57.0	44.5
Torque				Current (A)		
Full Load (lb-ft)	Locked Rotor (% FLT)	Pull Up (% FLT)	Break Down (% FLT)	No Load	Full Load	Locked Rotor
4.57	250	220	300	0.9	1.4	12
NEMA KVA Code	Inertia (WR ²)			Safe Stall Time (s)		Noise Level Sound Press. dB(A)
	Rotor (lb-ft ²)	NEMA Load (lb-ft ²)	Max. Allowable (lb-ft ²)	Cold	Hot	
N	0.122	15.00	100.00	60	42	50

VFD Duty Information

Speed Range			VFD		S.F.
Constant Torque	Variable Torque	Constant Power	Carrier	Type	
6-60Hz	3-60Hz	60-120Hz	≤ 5 kHz	VPWM or CPWM	1.0 Only

Hazardous Locations Information

CSA Certified
Class I, Div 2, Groups B, C & D Class I, Zone 2, Groups IIB+H2, IIB & IIA
Temp Code (Sinewave / VFD)
T3C / T3C

Additional Certifications

Other Certification

Additional Information

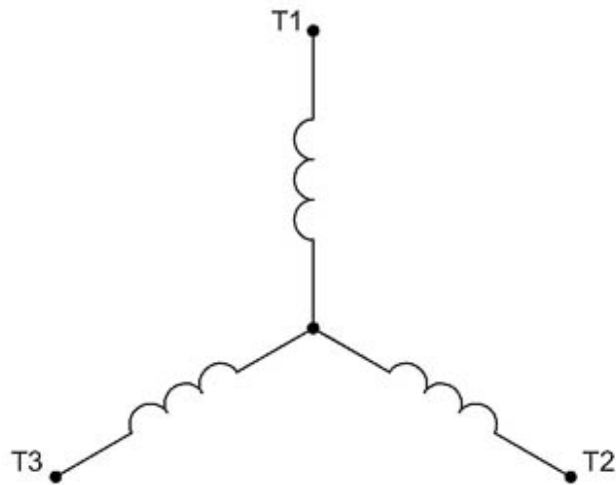
Bearings		Approx. Weight
DE	NDE	lbs
6205ZC3	6205ZC3	59

Nameplate Drawing

Advantage Plus IEEE 841

TYPE	AEHH8B	CAT. NO.	APH00165-841		
OUTPUT	1 HP 0.75 kW	FRAME	145T	TEFC	
R.P.M.	1150	POLE	6	INS.	F
VOLTS	575	PHASE	3	Hz	60
AMPS	1.4	CODE	N	S.F.	1.15
AMBIENT	40 °C	NOM. EFF. 82.5		MIN. EFF. 80.0	
BEARINGS	6205ZC3 / 6205ZC3			RATING Cont.	
SER. NO.	TBD	DESIGN	B	WT. 59 LBS	
PWM VFD DUTY	VT	CT	CP	S.F.	
	3-60Hz	6-60Hz	60-120Hz	1.0 Only	

Connection Diagram

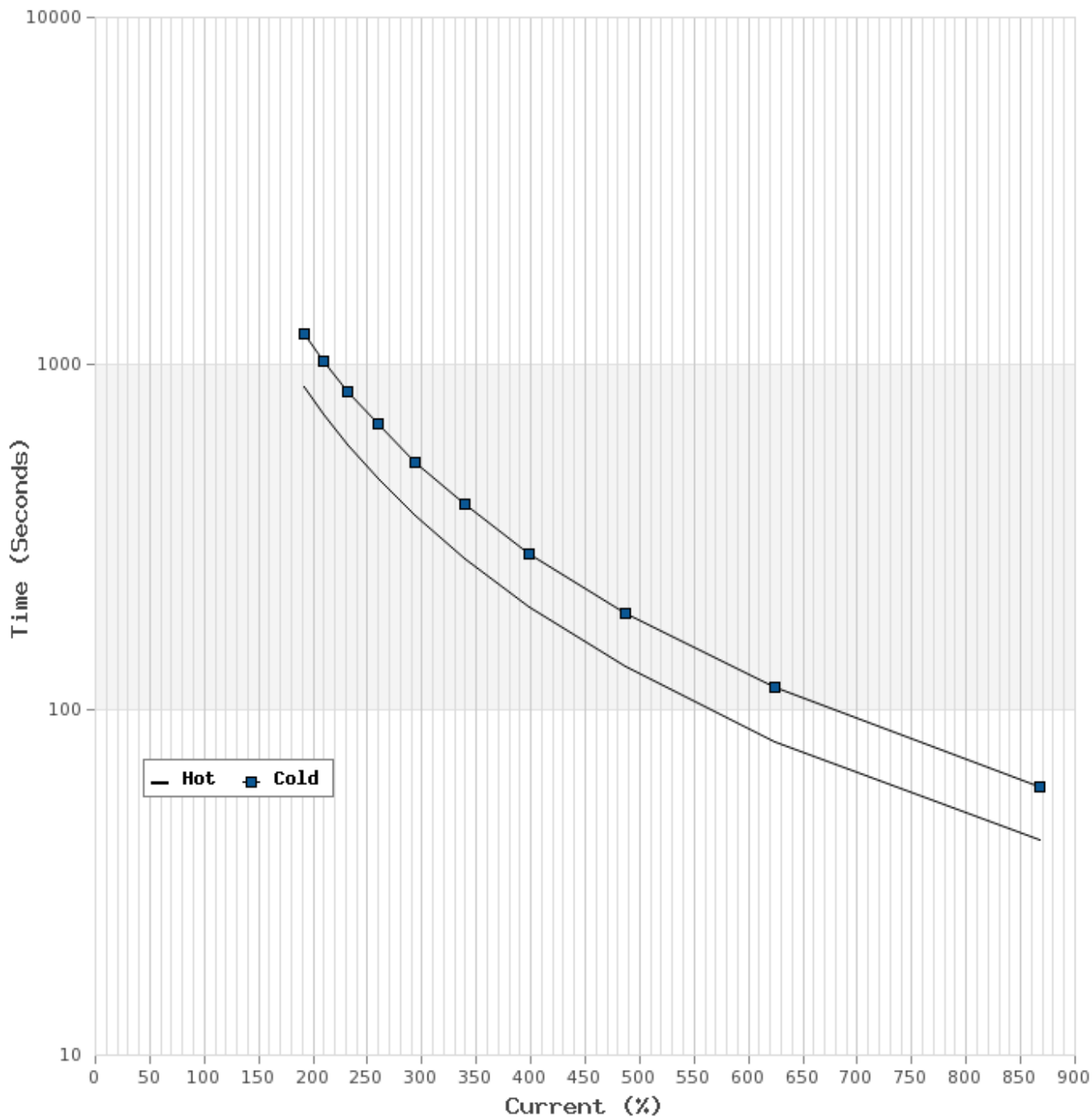


3 LEAD		SINGLE VOLTAGE			WYE
VOLTAGE	CONN.	L1	L2	L3	
-	WYE	1	2	3	

WD_3Y

Thermal Limit Curves

Motor Type: AEHH8B		Catalogue No: APH00165-841		Family: Advantage Plus IEEE 841	
HP	1	Safe Stall Time		Full Load A	1.4 A
Voltage	575V 60Hz	Hot	42 s	% Inrush	863 %
RPM	1200	Cold	60 s	Locked Rotor A	12 A



T-N and I-N Curves

Motor Type: AEHH8B		Catalogue No: APH00165-841		Family: Advantage Plus IEEE 841	
HP	1	Full Load T	4.57 lb-ft	Full Load A	1.4 A
Voltage	575V 60Hz	Locked Rotor T	250 %	Locked Rotor A	12.0 A
RPM	1200	Pull Up T	220 %	Break Down T	300 %

