

Technical Documentation

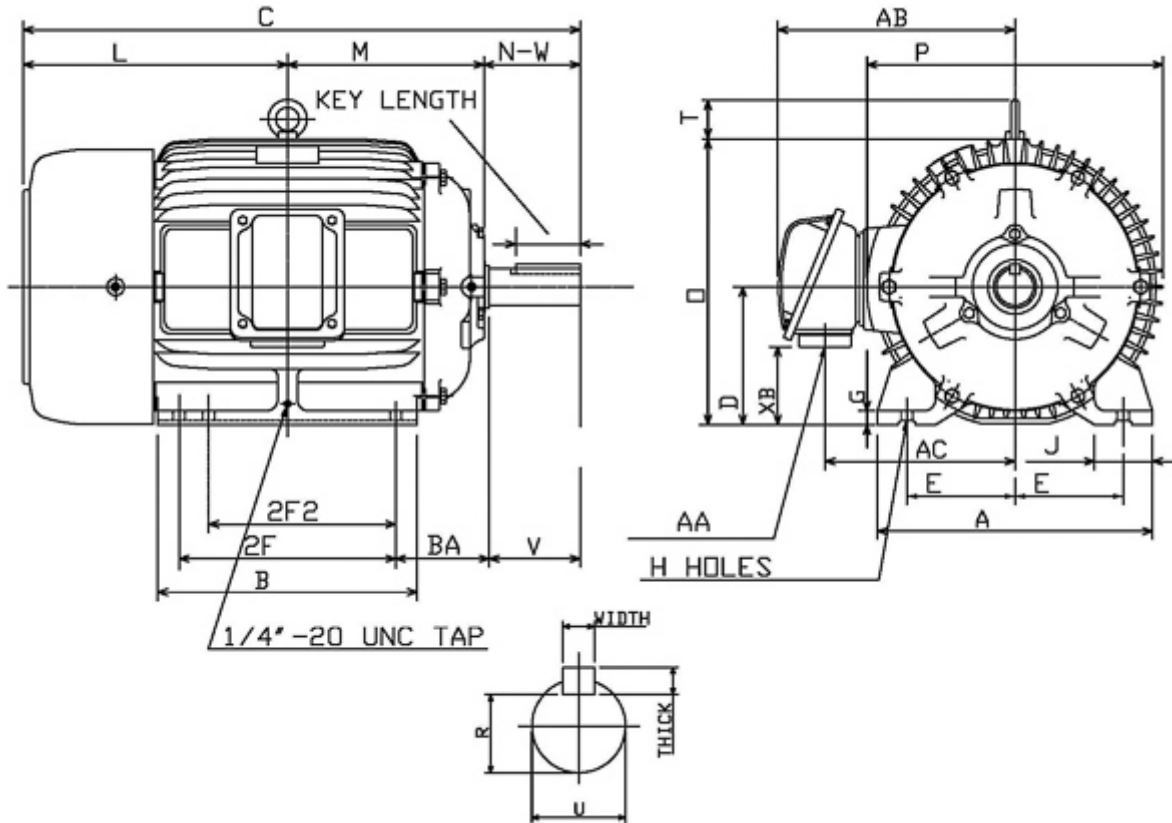
# **APH0158**

## **Advantage Plus IEEE Ready | AEHH8R**


Date: June 25, 2020

**Dimensional Drawing**

Catalogue	Model	HP	Pole	kW	Rating	Voltage	Hz	RPM
APH0158	AEHH8R	15	8	11	Continuous	460	60	900



Frame Size	Mounting					A	B	C	CD	D	
	E	2F	2F2	H	BA						
286T	5.5	11	9.5	0.53	4.75	13.98	13.19	28.3		7	
G	J	K	L	M	O	P	T	Key			Keyseat
0.7	2.95		13.43	9.98	14.5	15.05	2.36	Width	Thick	Length	R
								0.5	0.5	3.28	1.591
Terminal Housing				Aux Box		C/D Flange					
AA	AB	AC	XB	AE	AX	BB	AH	AK	BD	AJ	BF
NPT11/2"	13.27	10.35	3.54								
Shaft Extension			Bearings		Approx. Weight Lbs	SPL dBA/3ft	Ins. Class	S.F.	Drive Method	Dimensions	
N-W	U	V	DE	NDE							
4.62	1.875	4.5	6311ZC3	6310ZC3	475	64	F	1.15	Direct Coupling / Belt Drive	Inches	

	
	Date: June 25, 2020

### Technical Data Sheet

Motor Type: AEHH8R	Catalogue No: APH0158
--------------------	-----------------------

#### Nameplate Information

HP	Pole	RPM	Frame	Voltage	Hz	Phase
15	8	880	286T	460	60	3
Enclosure	Ins. Class	Service Factor	Time Rating	NEMA Design	Rated Amb.	Rated Altitude
TEFC	F	1.15	Continuous	B	-40 to 40 °C	<1000 m

#### Typical Performance

Efficiency (%)				Power Factor (%)		
Full Load		3/4 Load	1/2 Load	Full Load	3/4 Load	1/2 Load
Nom.	Min.					
89.5	87.5	90.2	90.2	78.0	73.0	62.0
Torque				Current (A)		
Full Load (lb-ft)	Locked Rotor (% FLT)	Pull Up (% FLT)	Break Down (% FLT)	No Load	Full Load	Locked Rotor
89.49	180	170	225	10.0	20.1	116
NEMA KVA Code	Inertia (WR <sup>2</sup> )			Safe Stall Time (s)		Noise Level Sound Press. dB(A)
	Rotor (lb-ft <sup>2</sup> )	NEMA Load (lb-ft <sup>2</sup> )	Max. Allowable (lb-ft <sup>2</sup> )	Cold	Hot	
G	7.961	400.00	739.00	28	20	64

#### VFD Duty Information

Speed Range			VFD		S.F.
Constant Torque	Variable Torque	Constant Power	Carrier	Type	
6-60Hz	3-60Hz	60-120Hz	≤ 5 kHz	VPWM or CPWM	1.0 Only

#### Hazardous Locations Information

CSA Certified
Class I, Div 2, Groups B, C & D Class I, Zone 2, Groups IIB+H2, IIB & IIA
Temp Code (Sinewave / VFD)
T3C / T3A

#### Additional Certifications

Other Certification
Class II, Div 2, Groups F & G

#### Additional Information

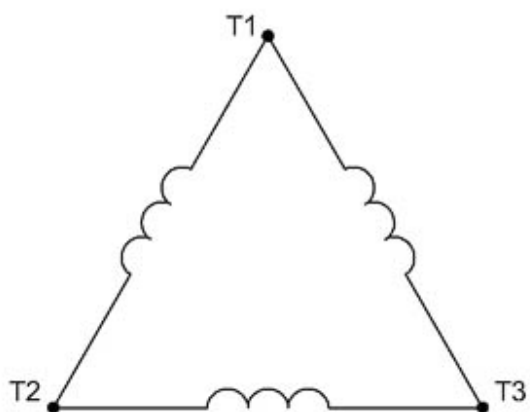
Bearings		Approx. Weight
DE	NDE	lbs
6311ZC3	6310ZC3	475

**Nameplate Drawing**

# Advantage Plus IEEE Ready

TYPE	AEHH8R	CAT. NO.	APH0158		
OUTPUT	15 HP 11 kW	FRAME	286T	TEFC	
R.P.M.	880	POLE	8	INS.	F
VOLTS	460	PHASE	3	Hz	60
AMPS	20.1	CODE	G	S.F.	1.15
AMBIENT	40 °C	NOM. EFF. 89.5		MIN. EFF. 87.5	
BEARINGS	6311ZC3 / 6310ZC3			RATING Cont.	
SER. NO.	TBD	DESIGN	B	WT. 475 LBS	
PWM VFD DUTY	VT	CT	CP	S.F.	
	3-60Hz	6-60Hz	60-120Hz	1.0 Only	

**Connection Diagram**

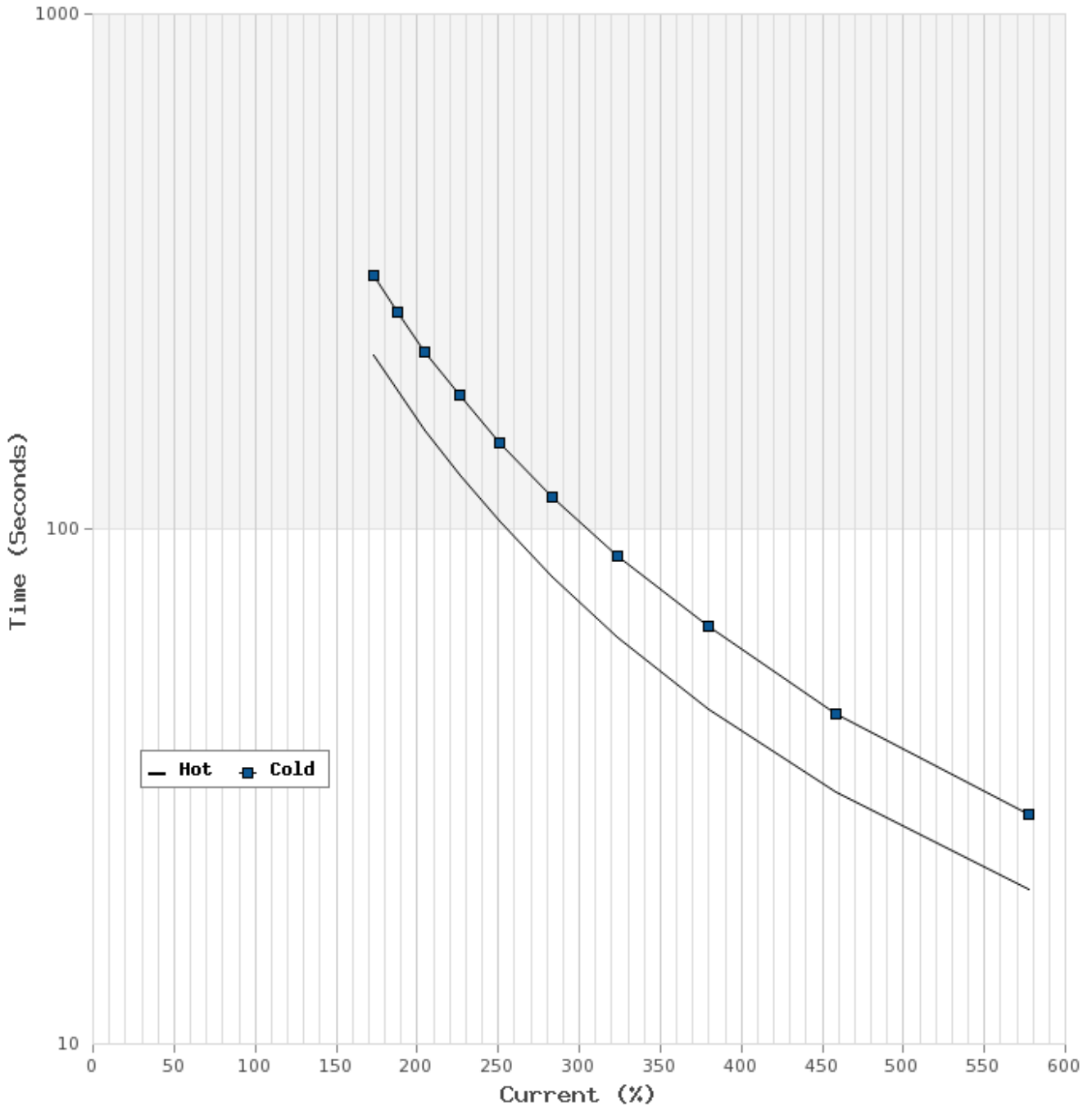


3 LEAD		SINGLE VOLTAGE			DELTA
VOLTAGE	CONN.	L1	L2	L3	
-	DELTA	1	2	3	

WD\_3D

**Thermal Limit Curves**

Motor Type: AEHH8R		Catalogue No: APH0158		Family: Advantage Plus IEEE Ready	
HP	15	Safe Stall Time		Full Load A	20.1 A
Voltage	460V 60Hz	Hot	20 s	% Inrush	577 %
RPM	900	Cold	28 s	Locked Rotor A	116 A



**T-N and I-N Curves**

Motor Type: AEHH8R		Catalogue No: APH0158		Family: Advantage Plus IEEE Ready	
HP	15	Full Load T	89.49 lb-ft	Full Load A	20.1 A
Voltage	460V 60Hz	Locked Rotor T	180 %	Locked Rotor A	116.0 A
RPM	900	Pull Up T	170 %	Break Down T	225 %

