

Technical Documentation

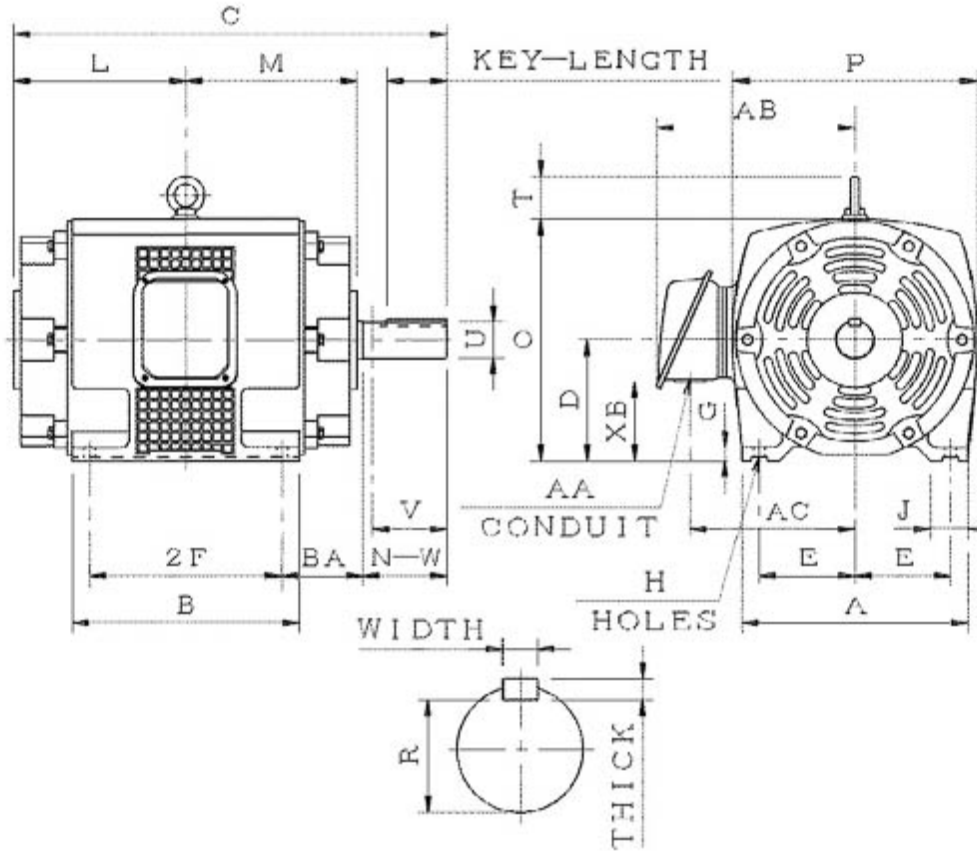
SDP02065

Optim ODP | ASHH

Date: December 1, 2016

Dimensional Drawing

Catalogue	Model	HP	Pole	kW	Rating	Voltage	Hz	RPM
SDP02065	ASHH	20	6	14.92	Continuous	575 V	60	1200



ASHH-SMP-3

Frame Size	Mounting					A	B	C	CD	D	
	E	2F	2F2	H	BA						
286T	5.5	11		0.53	4.75	14	13.2	24.38		7	
G	J	K	L	M	O	P	T	Key			Keyseat
0.7	2.95		9.51	9.51	14.2	14.55	2.35	Width	Thick	Length	R
								0.5	0.5	3.28	1.591
Terminal Housing				Aux Box		C/D Flange					
AA	AB	AC	XB	AE	AX	BB	AH	AK	BD	Aj	BF
2.05	12.08	9.84	4.6								
Shaft Extension			Bearings		Approx. Weight Lbs	SPL dBA/3ft	Ins. Class	S.F.	Drive Method	Dimensions	
N-W	U	V	DE	NDE							
4.62	1.875	4.5	6311ZZ	6310ZZ	397	59	F	1.15	Direct Coupling / Belt Drive	Inches	

Technical Data Sheet

Motor Type: ASHH

Catalogue No: SDP02065

Nameplate Information

HP	Pole	RPM	Frame	Voltage	Hz	Phase
20	6	1175	286T	575	60	3
Enclosure	Ins. Class	Service Factor	Time Rating	NEMA Design	Rated Amb.	Rated Altitude
ODP	F	1.15	Continuous	C	-40 to 40 °C	<3300 ft

Typical Performance

Efficiency (%)				Power Factor (%)		
Full Load		3/4 Load	1/2 Load	Full Load	3/4 Load	1/2 Load
Nom.	Min.					
92.4	91.0	93.0	93.0	83.5	80.5	72.0
Torque				Current (A)		
Full Load (lb-ft)	Locked Rotor (% FLT)	Pull Up (% FLT)	Break Down (% FLT)	No Load	Full Load	Locked Rotor
89.37	225	175	230	6.4	19.4	116
NEMA KVA Code	Inertia (WR ²)			Safe Stall Time (s)		Noise Level Sound Press. dB(A)
	Rotor (lb-ft ²)	NEMA Load (lb-ft ²)	Max. Allowable (lb-ft ²)	Cold	Hot	
G	8.340	262	473	24	17	59

VFD Duty Information

Speed Range			VFD		S.F.
Constant Torque	Variable Torque	Constant Power	Carrier	Type	
6-60Hz	3-60Hz	60-120Hz	≤ 5 kHz	VPWM or CPWM	1.0 Only

Additional Information

Bearings		Approx. Weight
DE	NDE	lbs
6311ZZ	6310ZZ	397

Hazardous Locations Information

N/A	
0	
0	
Temp Code (Sinewave / VFD)	0 / 0

Connection Diagram

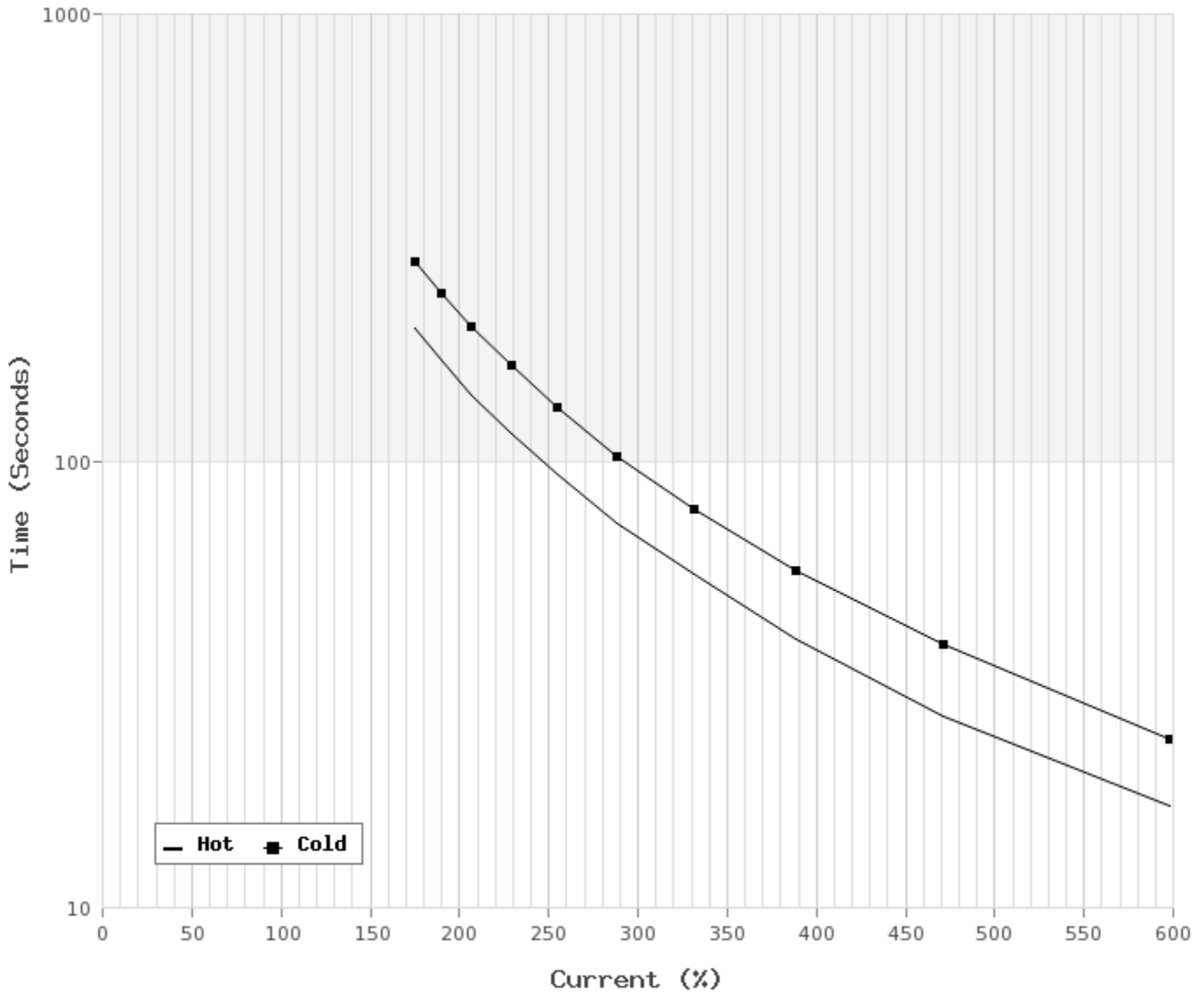


3 LEAD SINGLE VOLTAGE DELTA					
VOLTAGE	CONN.	L1	L2	L3	
-	DELTA	1	2	3	

WD_3D

Thermal Limit Curves

Motor Type: ASHH		Catalogue No: SDP02065		Family: Optim ODP	
HP	20	Safe Stall Time		Full Load A	0.0 / 19.4 A
Voltage	0 / 575V 60Hz	Hot	17 s	Locked Rotor A	597 %
RPM	1200	Cold	24 s	Locked Rotor A	0.0 / 116 A



T-N and I-N Curves

Motor Type: ASHH		Catalogue No: SDP02065		Family: Optim ODP	
HP	20	Full Load T	89.37 lb-ft	Full Load A	19.4 A
Voltage	575V 60Hz	Locked Rotor T	225 %	Locked Rotor A	116.0 A
RPM	1200	Pull Up T	175 %	Break Down T	230 %

