

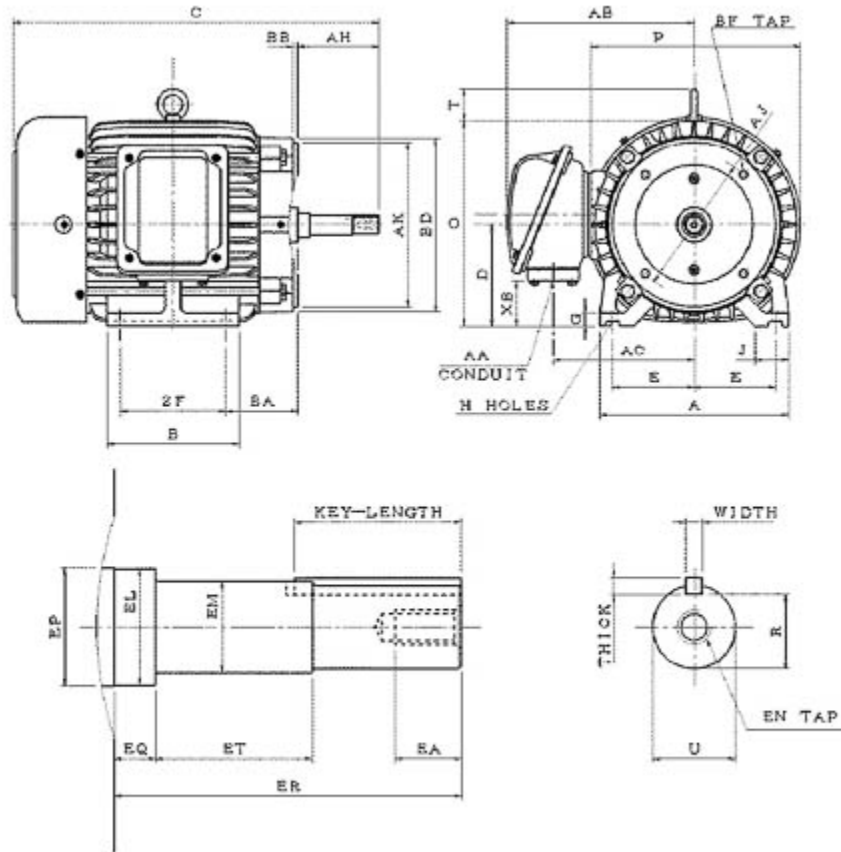
Technical Documentation

CJM0056
Optim JM | AEHH8N_JM

Date: November 29, 2016

Dimensional Drawing

Catalogue	Model	HP	Pole	kW	Rating	Voltage	Hz	RPM
CJM0056	AEHH8N_JM	5	6	3.7	Continuous	230 / 460 V	60	1200



AEHH8N-JM-SMP-3

Frame Size	Mounting					A	B	C	CD	D	
	E	2F	2F2	H	BA						
215JM	4.25	7		0.41	3.75	9.85	8.35	20.87		5.25	
G	J	K	L	M	O	P	T	Key			Keyseat
0.7	1.75				10.63	11.1	1.65	Width	Thick	Length	R
								0.188	0.188	1.65	0.771
Terminal Housing			Aux Box			C/D Flange					
AA	AB	AC	XB	AE	AX	BB	AH	AK	BD	AJ	BF
1"	9.78	7.34	2.34			0.25	4.25	8.5	8.98	7.25	4-1/2"-13UNC
Shaft Extension			Bearings		Approx. Weight Lbs	SPL dBA/3ft	Ins. Class	S.F.	Drive Method	Dimensions	
N-W	U	V	DE	NDE							
	0.875		6308ZZ	6306ZZ	196	55	F	1.15	DirectCoupling	Inches	

Technical Data Sheet

Motor Type: AEHH8N_JM

Catalogue No: CJM0056

Nameplate Information

HP	Pole	RPM	Frame	Voltage	Hz	Phase
5	6	1170	215JM	230 / 460	60	3
Enclosure	Ins. Class	Service Factor	Time Rating	NEMA Design	Rated Amb.	Rated Altitude
TEFC	F	1.15	Continuous	B	-40 to 40 °C	<3300 ft

Typical Performance

Efficiency (%)				Power Factor (%)		
Full Load		3/4 Load	1/2 Load	Full Load	3/4 Load	1/2 Load
Nom.	Min.					
91.0	89.5	91.0	89.5	82.5	77.0	65.5
Torque				Current (A)		
Full Load (lb-ft)	Locked Rotor (% FLT)	Pull Up (% FLT)	Break Down (% FLT)	No Load	Full Load	Locked Rotor
22.44	190	160	300	5.8 / 2.9	12.5 / 6.2	92 / 46
NEMA KVA Code	Inertia (WR ²)			Safe Stall Time (s)		Noise Level Sound Press. dB(A)
	Rotor (lb-ft ²)	NEMA Load (lb-ft ²)	Max. Allowable (lb-ft ²)	Cold	Hot	
J	1.224	71	416	68	48	55

VFD Duty Information

Speed Range			VFD		S.F.
Constant Torque	Variable Torque	Constant Power	Carrier	Type	
6-60Hz	3-60Hz	60-120Hz	≤ 5 kHz	VPWM or CPWM	1.0 Only

Additional Information

Bearings		Approx. Weight
DE	NDE	lbs
6308ZZ	6306ZZ	196

Hazardous Locations Information

CSA Certified	
Class I, Div 2, Groups B, C & D Class I, Zone 2, Groups IIB+H2, IIB & IIA	
Temp Code (Sinewave / VFD)	T4 / T4

Connection Diagram

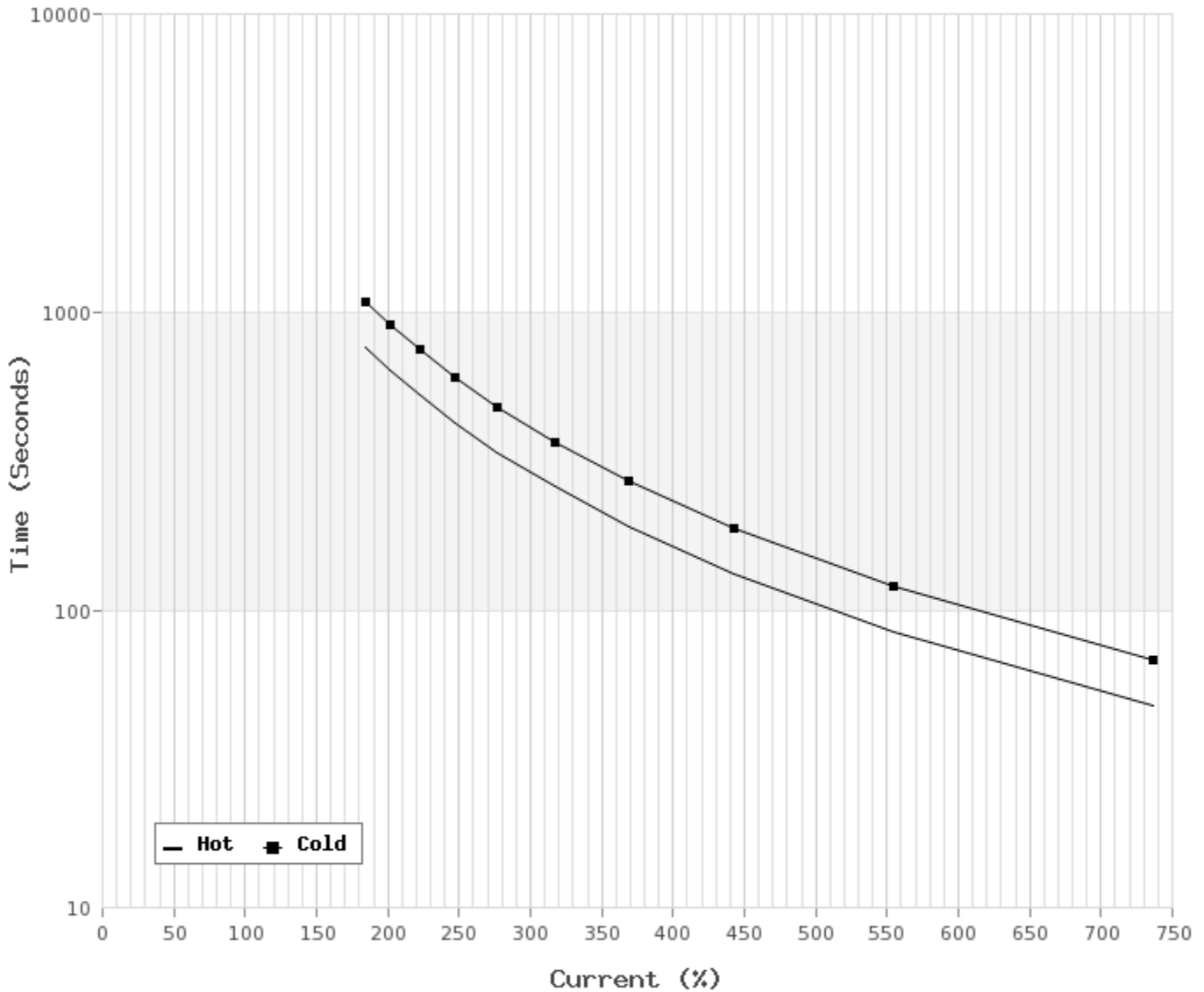


9 LEAD DUAL VOLTAGE WYE					
VOLTAGE	CONN.	L1	L2	L3	JOIN
HIGH	WYE	1	2	3	4&7,5&8,6&9
LOW	2 WYE	1,7	2,8	3,9	4&5&6

WD_9Y

Thermal Limit Curves

Motor Type: AEHH8N_JM		Catalogue No: CJM0056		Family: Optim JM	
HP	5	Safe Stall Time		Full Load A	12.5 / 6.2 A
Voltage	230 / 460V 60Hz	Hot	48 s	Locked Rotor A	737 / 737 %
RPM	1200	Cold	68 s	Locked Rotor A	92.0 / 46 A



T-N and I-N Curves

Motor Type: AEHH8N_JM		Catalogue No: CJM0056		Family: Optim JM	
HP	5	Full Load T	22.44 lb-ft	Full Load A	12.5 / 6.2 A
Voltage	230 / 460V 60Hz	Locked Rotor T	190 %	Locked Rotor A	92.0 / 46.0 A
RPM	1200	Pull Up T	160 %	Break Down T	300 %

