

Technical Documentation

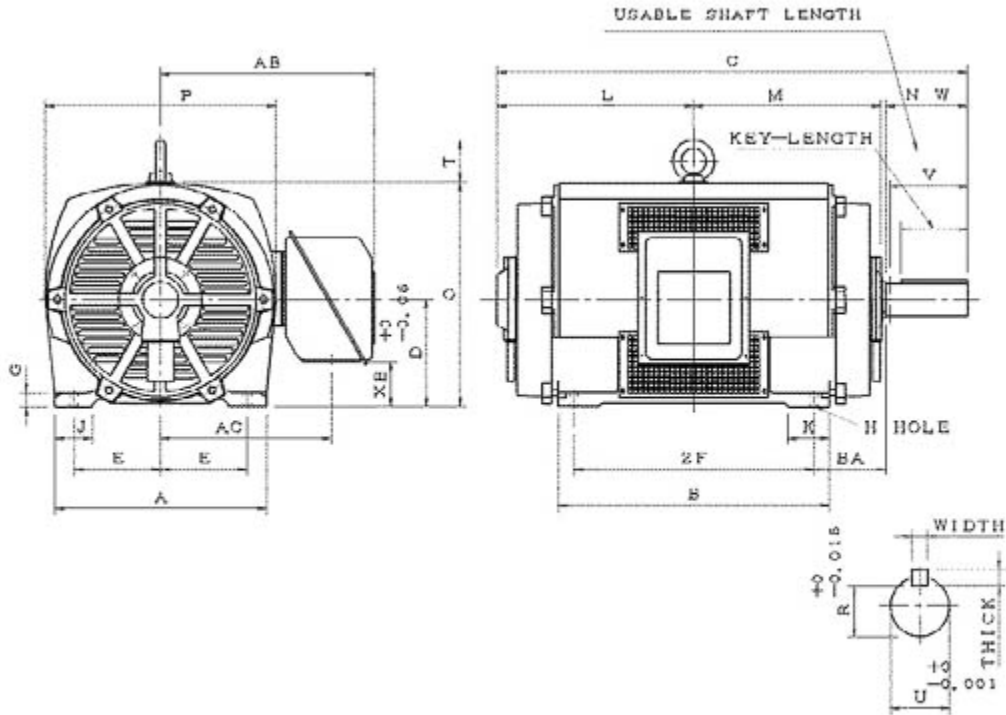
SDP20025

Optim ODP | ASHH

Date: December 1, 2016

Dimensional Drawing

| | | | | | | | | |
|-----------|-------|-----|------|-------|------------|---------|----|------|
| Catalogue | Model | HP | Pole | kW | Rating | Voltage | Hz | RPM |
| SDP20025 | ASHH | 200 | 2 | 149.2 | Continuous | 575 V | 60 | 3600 |



ASHH-HMP-1 1 0

| Frame Size | Mounting | | | | | A | B | C | CD | D | |
|------------------|----------|-------|----------|---------|--------------------|-------------|------------|-------|-----------------|------------|---------|
| | E | 2F | 2F2 | H | BA | | | | | | |
| 444TS | 9 | 14.5 | | 0.81 | 7.5 | 22.05 | 17.7 | 34.35 | | 11 | |
| G | J | K | L | M | O | P | T | Key | | | Keyseat |
| 1.4 | 3.95 | 3.75 | 14.85 | 14.3 | 22.15 | 22.05 | 3.55 | Width | Thick | Length | R |
| | | | | | | | | 0.625 | 0.625 | 3.03 | 2.021 |
| Terminal Housing | | | | Aux Box | | C/D Flange | | | | | |
| AA | AB | AC | XB | AE | AX | BB | AH | AK | BD | Aj | BF |
| | 21.25 | 16.75 | 4.65 | | | | | | | | |
| Shaft Extension | | | Bearings | | Approx. Weight Lbs | SPL dBA/3ft | Ins. Class | S.F. | Drive Method | Dimensions | |
| N-W | U | V | DE | NDE | | | | | | | |
| 4.75 | 2.375 | 4.5 | 6314C3 | 6314C3 | 1150 | 86 | F | 1.15 | Direct Coupling | Inches | |

Technical Data Sheet

Motor Type: ASHH

Catalogue No: SDP20025

Nameplate Information

| | | | | | | |
|-----------|------------|----------------|-------------|-------------|--------------|----------------|
| HP | Pole | RPM | Frame | Voltage | Hz | Phase |
| 200 | 2 | 3548 | 444TS | 575 | 60 | 3 |
| Enclosure | Ins. Class | Service Factor | Time Rating | NEMA Design | Rated Amb. | Rated Altitude |
| ODP | F | 1.15 | Continuous | B | -40 to 40 °C | <3300 ft |

Typical Performance

| Efficiency (%) | | | | Power Factor (%) | | |
|-------------------|-----------------------------|---------------------------------|--------------------------------------|---------------------|-----------|--------------------------------|
| Full Load | | 3/4 Load | 1/2 Load | Full Load | 3/4 Load | 1/2 Load |
| Nom. | Min. | | | | | |
| 95.0 | 94.1 | 94.6 | 93.5 | 88.5 | 87.7 | 84.6 |
| Torque | | | | Current (A) | | |
| Full Load (lb-ft) | Locked Rotor (% FLT) | Pull Up (% FLT) | Break Down (% FLT) | No Load | Full Load | Locked Rotor |
| 296.00 | 105 | 97 | 210 | 49.5 | 178.4 | 1160 |
| NEMA KVA Code | Inertia (WR ²) | | | Safe Stall Time (s) | | Noise Level Sound Press. dB(A) |
| | Rotor (lb-ft ²) | NEMA Load (lb-ft ²) | Max. Allowable (lb-ft ²) | Cold | Hot | |
| G | 16.000 | 172 | 172 | 19 | 14 | 86 |

VFD Duty Information

| Speed Range | | | VFD | | S.F. |
|-----------------|-----------------|----------------|---------|--------------|----------|
| Constant Torque | Variable Torque | Constant Power | Carrier | Type | |
| 6-60Hz | 3-60Hz | 60-120Hz | ≤ 5 kHz | VPWM or CPWM | 1.0 Only |

Additional Information

| Bearings | | Approx. Weight |
|----------|--------|----------------|
| DE | NDE | lbs |
| 6314C3 | 6314C3 | 1150 |

Hazardous Locations Information

| | |
|----------------------------|-------|
| N/A | |
| 0 | |
| 0 | |
| Temp Code (Sinewave / VFD) | 0 / 0 |

Connection Diagram

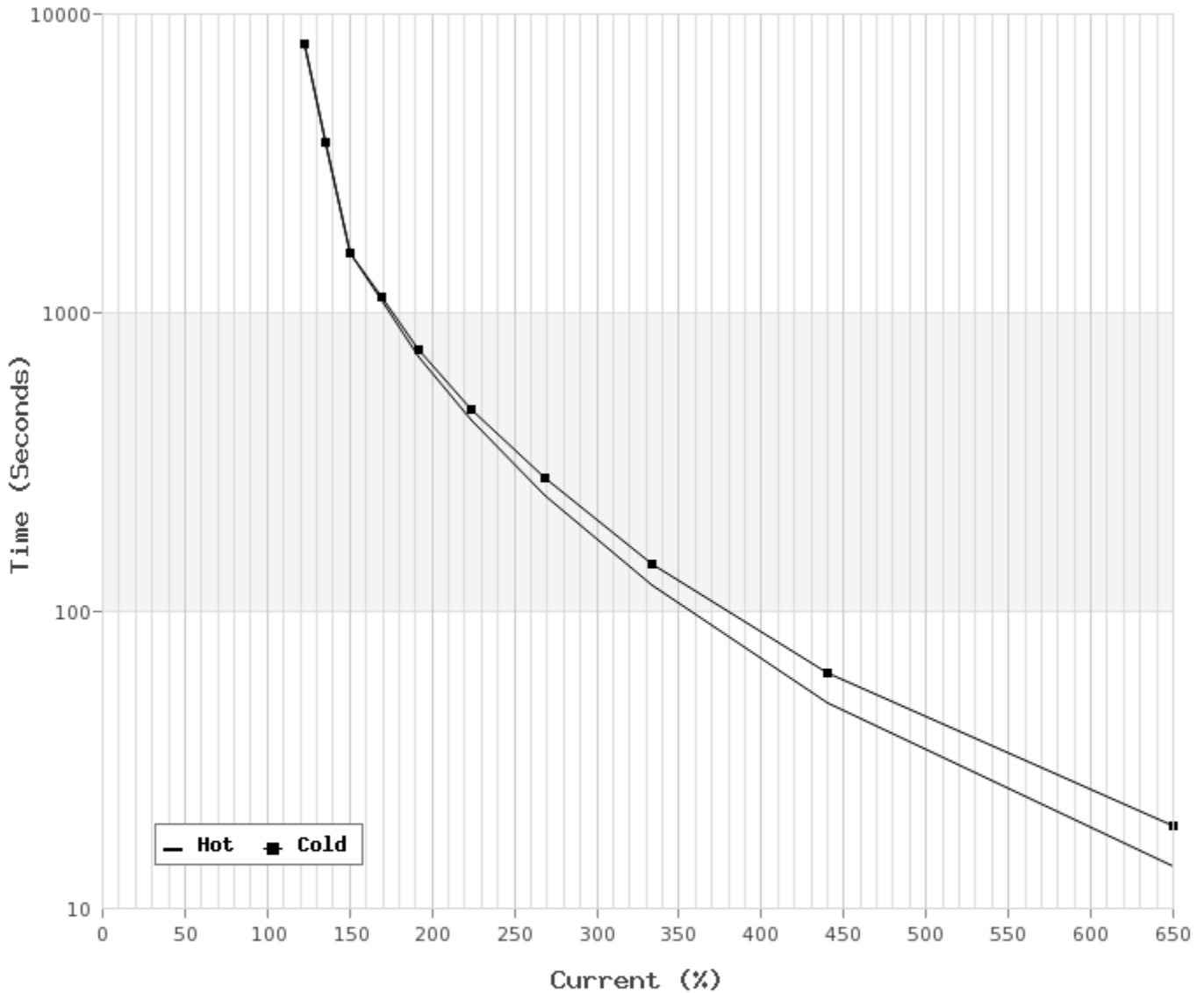


| 3 LEAD SINGLE VOLTAGE DELTA | | | | | |
|-----------------------------|-------|----|----|----|--|
| VOLTAGE | CONN. | L1 | L2 | L3 | |
| - | DELTA | 1 | 2 | 3 | |

WD_3D

Thermal Limit Curves

| | | | | | |
|------------------|---------------|------------------------|------|-------------------|---------------|
| Motor Type: ASHH | | Catalogue No: SDP20025 | | Family: Optim ODP | |
| HP | 200 | Safe Stall Time | | Full Load A | 0.0 / 178.4 A |
| Voltage | 0 / 575V 60Hz | Hot | 14 s | Locked Rotor A | 650 % |
| RPM | 3600 | Cold | 19 s | Locked Rotor A | 0.0 / 1 A |



T-N and I-N Curves

| | | | | | |
|------------------|-----------|------------------------|--------------|-------------------|-----------|
| Motor Type: ASHH | | Catalogue No: SDP20025 | | Family: Optim ODP | |
| HP | 200 | Full Load T | 296.00 lb-ft | Full Load A | 178.4 A |
| Voltage | 575V 60Hz | Locked Rotor T | 105 % | Locked Rotor A | 1,160.0 A |
| RPM | 3600 | Pull Up T | 97 % | Break Down T | 210 % |

