

Technical Documentation

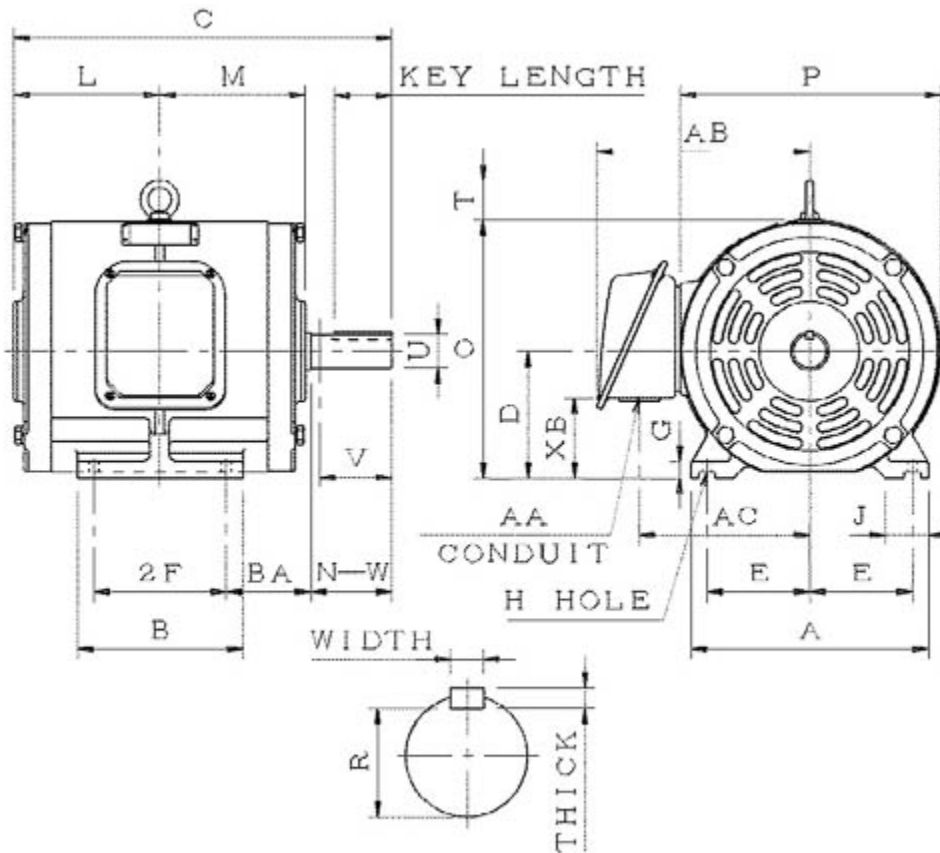
SDP00565

Optim ODP | ASHH

Date: December 1, 2016

Dimensional Drawing

Catalogue	Model	HP	Pole	kW	Rating	Voltage	Hz	RPM
SDP00565	ASHH	5	6	3.73	Continuous	575 V	60	1200



ASHH-SMP-2

Frame Size	Mounting					A	B	C	CD	D	
	E	2F	2F2	H	BA						
215T	4.25	7		0.41	3.5	9.85	8.35	17.18		5.25	
G	J	K	L	M	O	P	T	Key			Keyseat
0.7	1.75		6.8	6.8	10.7	10.75	1.65	Width	Thick	Length	R
								0.312	0.312	2.41	1.201
Terminal Housing				Aux Box		C/D Flange					
AA	AB	AC	XB	AE	AX	BB	AH	AK	BD	AJ	BF
1.38	8.8	7.1	3.35								
Shaft Extension			Bearings		Approx. Weight Lbs	SPL dBA/3ft	Ins. Class	S.F.	Drive Method	Dimensions	
N-W	U	V	DE	NDE							
3.38	1.375	3.3	6308ZZ	6306ZZ	185	53	F	1.15	Direct Coupling / Belt Drive	Inches	

Technical Data Sheet

Motor Type: ASHH

Catalogue No: SDP00565

Nameplate Information

HP	Pole	RPM	Frame	Voltage	Hz	Phase
5	6	1165	215T	575	60	3
Enclosure	Ins. Class	Service Factor	Time Rating	NEMA Design	Rated Amb.	Rated Altitude
ODP	F	1.15	Continuous	B	-40 to 40 °C	<3300 ft

Typical Performance

Efficiency (%)				Power Factor (%)		
Full Load		3/4 Load	1/2 Load	Full Load	3/4 Load	1/2 Load
Nom.	Min.					
89.5	87.5	90.2	88.5	79.0	73.0	61.5
Torque				Current (A)		
Full Load (lb-ft)	Locked Rotor (% FLT)	Pull Up (% FLT)	Break Down (% FLT)	No Load	Full Load	Locked Rotor
22.53	165	140	280	2.3	5.3	37
NEMA KVA Code	Inertia (WR ²)			Safe Stall Time (s)		Noise Level Sound Press. dB(A)
	Rotor (lb-ft ²)	NEMA Load (lb-ft ²)	Max. Allowable (lb-ft ²)	Cold	Hot	
J	0.850	71	248	41	29	53

VFD Duty Information

Speed Range			VFD		S.F.
Constant Torque	Variable Torque	Constant Power	Carrier	Type	
6-60Hz	3-60Hz	60-120Hz	≤ 5 kHz	VPWM or CPWM	1.0 Only

Additional Information

Bearings		Approx. Weight
DE	NDE	lbs
6308ZZ	6306ZZ	185

Hazardous Locations Information

N/A	
0	
0	
Temp Code (Sinewave / VFD)	0 / 0

Connection Diagram

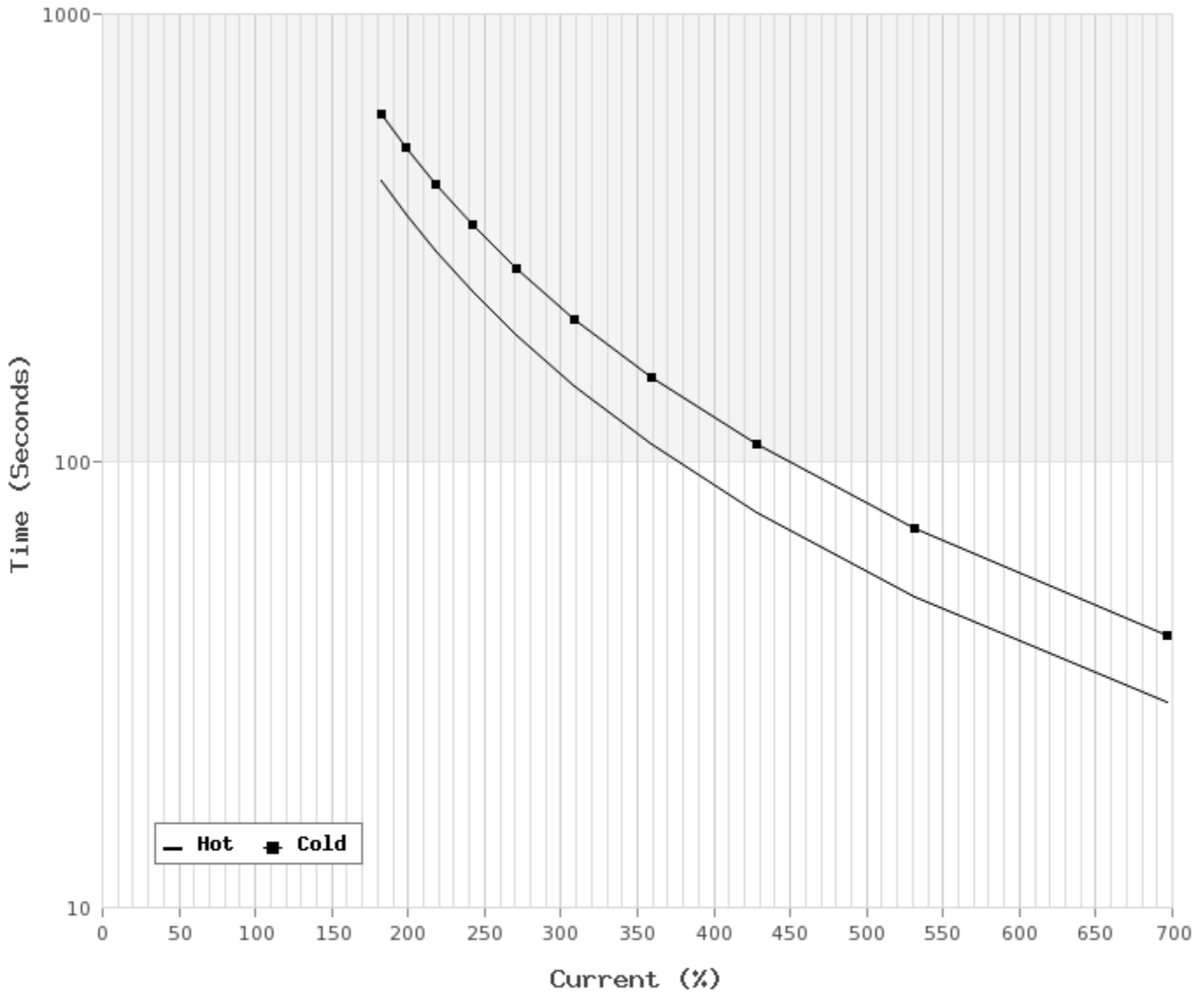


3 LEAD		SINGLE VOLTAGE			WYE
VOLTAGE	CONN.	L1	L2	L3	
-	WYE	1	2	3	

WD_3Y

Thermal Limit Curves

Motor Type: ASHH		Catalogue No: SDP00565		Family: Optim ODP	
HP	5	Safe Stall Time		Full Load A	0.0 / 5.3 A
Voltage	0 / 575V 60Hz	Hot	29 s	Locked Rotor A	698 %
RPM	1200	Cold	41 s	Locked Rotor A	0.0 / 37 A



T-N and I-N Curves

Motor Type: ASHH		Catalogue No: SDP00565		Family: Optim ODP	
HP	5	Full Load T	22.53 lb-ft	Full Load A	5.3 A
Voltage	575V 60Hz	Locked Rotor T	165 %	Locked Rotor A	37.0 A
RPM	1200	Pull Up T	140 %	Break Down T	280 %

