

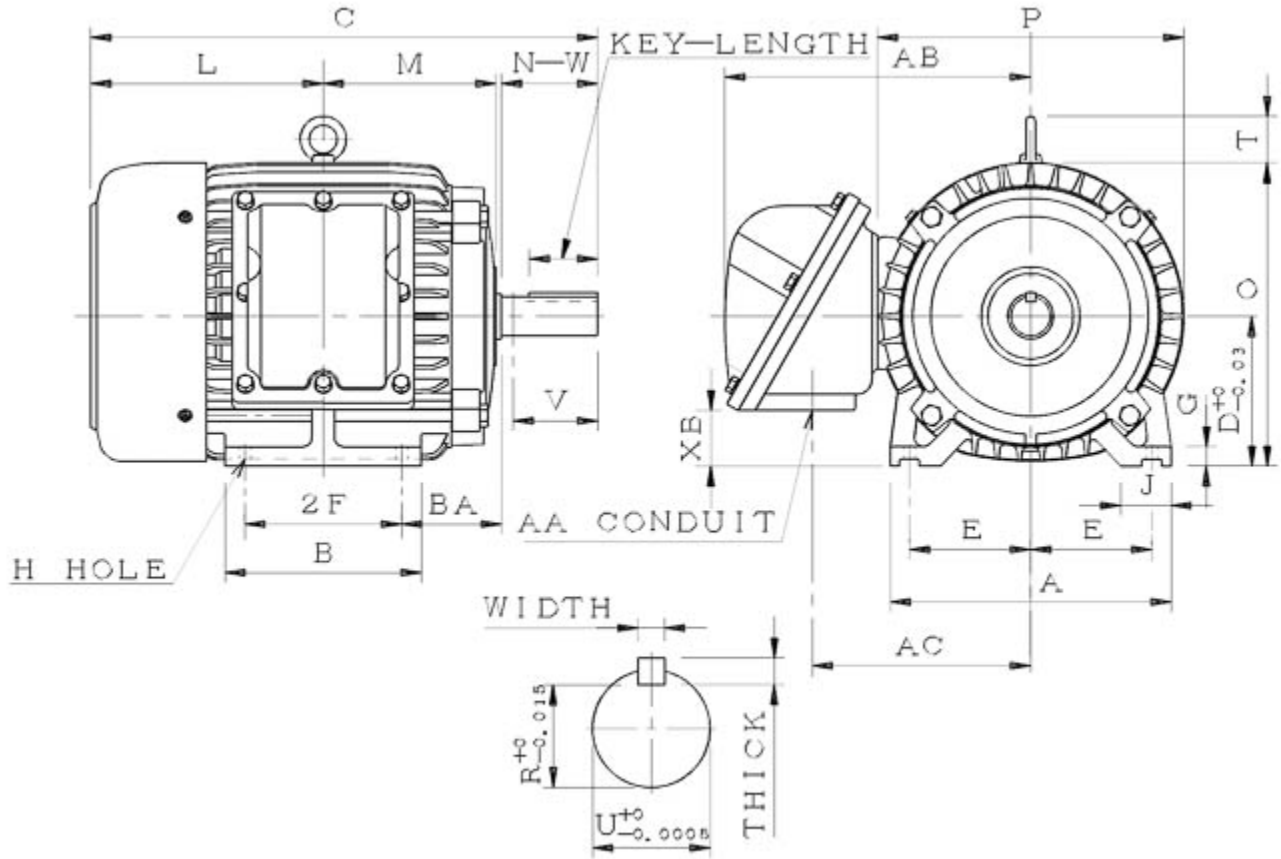
Technical Documentation

**XC0036**  
**Optim TEXP | AEHHXV**

Date: July 10, 2017

**Dimensional Drawing**

Catalogue	Model	HP	Pole	kW	Rating	Voltage	Hz	RPM
XC0036	AEHHXV	3	6	2.2	Continuous	230 / 460 V	60	1200



AEHHXV-SMP-3 1 0

Frame Size	Mounting					A	B	C	CD	D	
	E	2F	2F2	H	BA						
213T	4.25	5.5		0.41	3.5	9.85	6.9	18.26		5.25	
G	J	K	L	M	O	P	T	Key			Keyseat
0.7	1.75		8.63	6.02	10.8	11.1	1.45	Width	Thick	Length	R
								0.312	0.312	2.41	1.201
Terminal Housing				Aux Box		C/D Flange					
AA	AB	AC	XB	AE	AX	BB	AH	AK	BD	AJ	BF
NPT1"	10.73	7.45	1.94								
Shaft Extension			Bearings		Approx. Weight Lbs	SPL dBA/3ft	Ins. Class	S.F.	Drive Method	Dimensions	
N-W	U	V	DE	NDE							
3.38	1.375	3.3	6308ZZ	6306ZZ	187	53	F	1.15	Direct Coupling / Belt Drive	Inches	

### Technical Data Sheet

Motor Type: AEHHXV

Catalogue No: XC0036

#### Nameplate Information

HP	Pole	RPM	Frame	Voltage	Hz	Phase
3	6	1170	213T	230 / 460	60	3
Enclosure	Ins. Class	Service Factor	Time Rating	NEMA Design	Rated Amb.	Rated Altitude
TEXP	F	1.15	Continuous	B	-40 to 40°C °C	<3300 ft

#### Typical Performance

Efficiency (%)				Power Factor (%)		
Full Load		3/4 Load	1/2 Load	Full Load	3/4 Load	1/2 Load
Nom.	Min.					
89.5	87.5	90.0	88.0	80.0	73.5	61.0
Torque				Current (A)		
Full Load (lb-ft)	Locked Rotor (% FLT)	Pull Up (% FLT)	Break Down (% FLT)	No Load	Full Load	Locked Rotor
13	200	155	315	4.0 / 2.0	7.9 / 3.9	64 / 32
NEMA KVA Code	Inertia (WR <sup>2</sup> )			Safe Stall Time (s)		Noise Level Sound Press. dB(A)
	Rotor (lb-ft <sup>2</sup> )	NEMA Load (lb-ft <sup>2</sup> )	Max. Allowable (lb-ft <sup>2</sup> )	Cold	Hot	
K	0.836	44	288	87	61	53

#### VFD Duty Information

Speed Range			VFD		S.F.
Constant Torque	Variable Torque	Constant Power	Carrier	Type	
6-60Hz	3-60Hz	60-90Hz	≤ 5 kHz	VPWM or CPWM	1.0 Only

#### Additional Information

Bearings		Approx. Weight
DE	NDE	lbs
6308ZZ	6306ZZ	187

#### Hazardous Locations Information

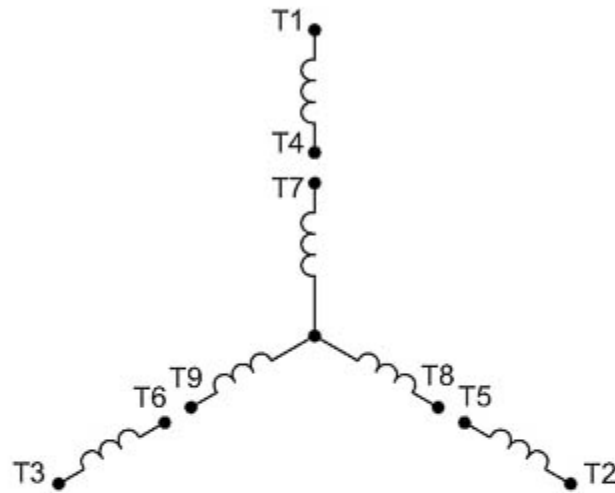
CSA/UL Certified	
Class I, Div 1, Groups C & D; Class II, Div 1, Groups E, F & G Class I, Zone 1, Groups IIB & IIA; Class II, Div 1, Groups E, F & G	
Temp Code (Sinewave / VFD)	T3B / T3B

**Nameplate Drawing**

# Optim TEXP

TYPE	AEHHXV	CAT. NO.	XC0036		
OUTPUT	3 HP 2.2 kW	FRAME	213T	TEXP	
R.P.M.	1170	POLE	6	INS.	F
VOLTS	230 / 460	PHASE	3	Hz	60
AMPS	7.9 / 3.9	CODE	K	S.F.	1.15
AMBIENT	40 °C	NOM. EFF. 89.5		MIN. EFF. 87.5	
BEARINGS	6308ZZ / 6306ZZ			RATING Cont.	
SER. NO.	TBD	DESIGN	B	WT. 187 LBS	
PWM VFD DUTY	VT	CT	CP	S.F.	
	3-60Hz	6-60Hz	60-90Hz	1.0 Only	

**Connection Diagram**

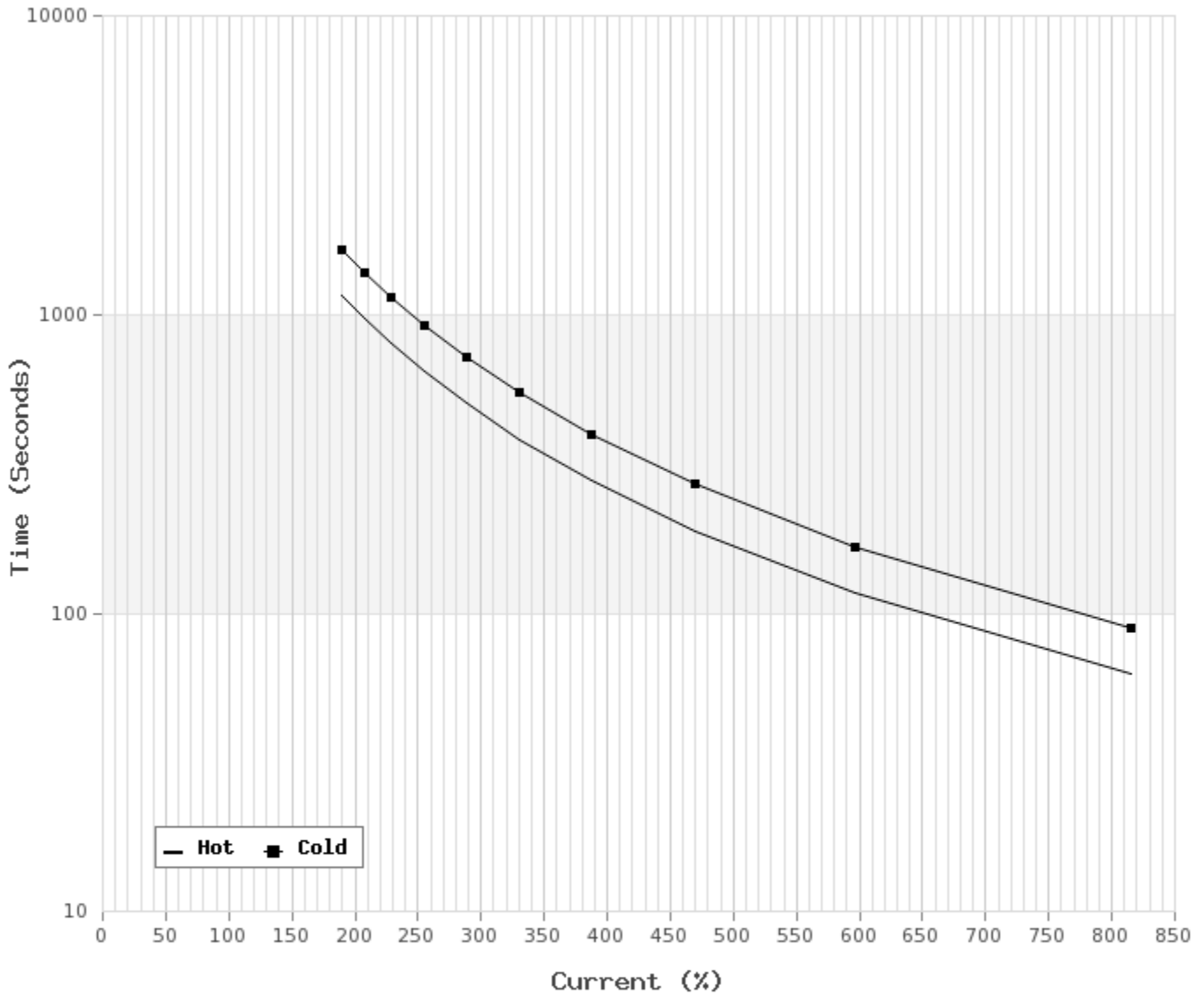


9 LEAD DUAL VOLTAGE WYE					
VOLTAGE	CONN.	L1	L2	L3	JOIN
HIGH	WYE	1	2	3	4&7,5&8,6&9
LOW	2 WYE	1,7	2,8	3,9	4&5&6

WD\_9Y

**Thermal Limit Curves**

Motor Type: AEHHXV		Catalogue No: XC0036		Family: Optim TEXP	
HP	3	Safe Stall Time		Full Load A	7.9 / 3.9 A
Voltage	230 / 460V 60Hz	Hot	61 s	Locked Rotor A	815 / 816 %
RPM	1200	Cold	87 s	Locked Rotor A	64.0 / 32 A



**T-N and I-N Curves**

Motor Type: AEHHXV		Catalogue No: XC0036		Family: Optim TEXP	
HP	3	Full Load T	13 lb-ft	Full Load A	7.9 / 3.9 A
Voltage	230 / 460V 60Hz	Locked Rotor T	200 %	Locked Rotor A	64.0 / 32.0 A
RPM	1200	Pull Up T	155 %	Break Down T	315 %

