

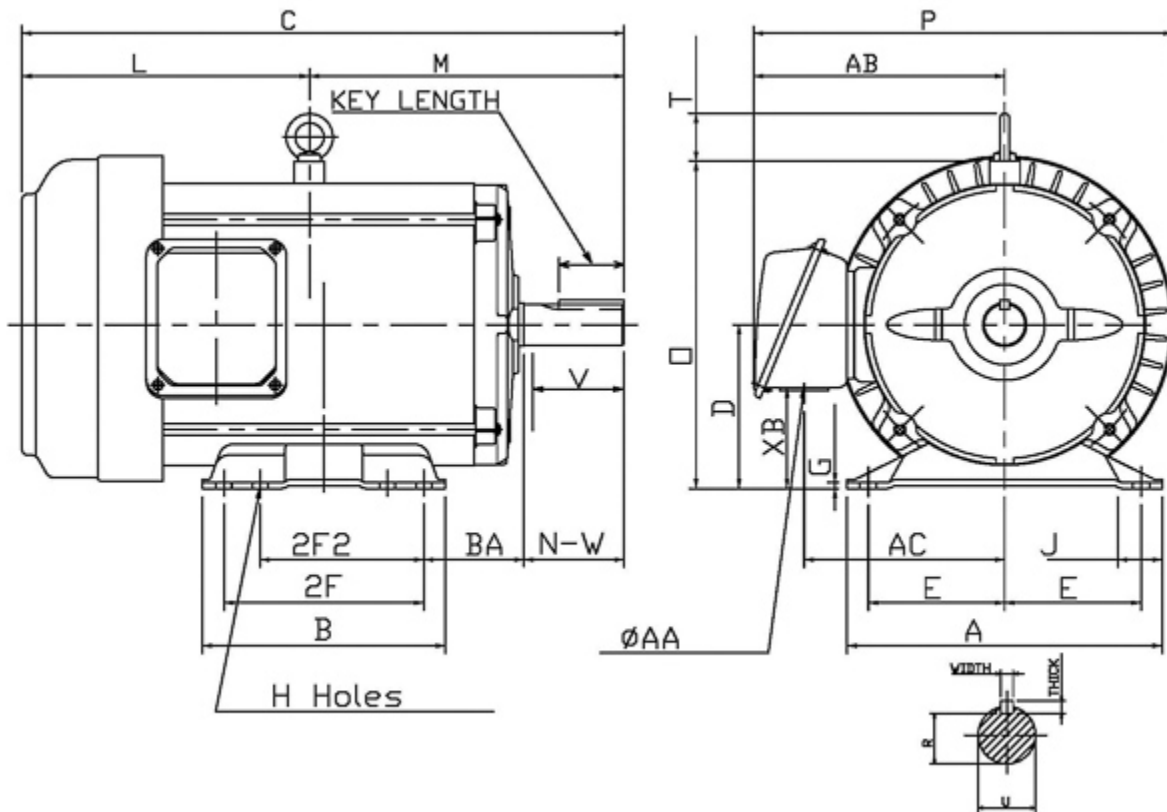
Technical Documentation

**RF00265**  
**Rolled Steel TEFC | AEGH**

Date: December 1, 2016

### Dimensional Drawing

Catalogue	Model	HP	Pole	kW	Rating	Voltage	Hz	RPM
RF00265	AEGH	2	6	1.5	Continuous	575 V	60	1200



Frame Size	Mounting					A	B	C	CD	D	
	E	2F	2F2	H	BA						
184T	7.5	5.5	4.5	0.41	2.75	8.66	6.68	16.55		4.5	
G	J	K	L	M	O	P	T	Key			Keyseat R
								Width	Thick	Length	
0.16	1.22		7.91	8.64	8.99	9.25	1.31	0.25	0.25	1.78	0.986
Terminal Housing			Aux Box			C/D Flange					
AA	AB	AC	XB	AE	AX	BB	AH	AK	BD	AJ	BF
1.1	6.9	5.51	2.77								
Shaft Extension			Bearings		Approx. Weight Lbs	SPL dBA/3ft	Ins. Class	S.F.	Drive Method	Dimensions	
N-W	U	V	DE	NDE							
2.75	1.125	2.7	6206ZZ	6205ZZ	84	51	F	1.15	Direct Coupling / Belt Drive	Inches	

### Technical Data Sheet

Motor Type: AEGH

Catalogue No: RF00265

#### Nameplate Information

HP	Pole	RPM	Frame	Voltage	Hz	Phase
2	6	1165	184T	575	60	3
Enclosure	Ins. Class	Service Factor	Time Rating	NEMA Design	Rated Amb.	Rated Altitude
TEFC	F	1.15	Continuous	B	-40 to 40 °C	<3300 ft

#### Typical Performance

Efficiency (%)				Power Factor (%)		
Full Load		3/4 Load	1/2 Load	Full Load	3/4 Load	1/2 Load
Nom.	Min.					
88.5	86.5	87.5	85.5	64.5	53.0	41.0
Torque				Current (A)		
Full Load (lb-ft)	Locked Rotor (% FLT)	Pull Up (% FLT)	Break Down (% FLT)	No Load	Full Load	Locked Rotor
9.01	160	150	270	0.9	2.6	20
NEMA KVA Code	Inertia (WR <sup>2</sup> )			Safe Stall Time (s)		Noise Level Sound Press. dB(A)
	Rotor (lb-ft <sup>2</sup> )	NEMA Load (lb-ft <sup>2</sup> )	Max. Allowable (lb-ft <sup>2</sup> )	Cold	Hot	
L	0.419	29.8	221	90	63	51

#### VFD Duty Information

Speed Range			VFD		S.F.
Constant Torque	Variable Torque	Constant Power	Carrier	Type	
6-60Hz	3-60Hz	60-120Hz	≤ 5 kHz	VPWM or CPWM	1.0 Only

#### Additional Information

Bearings		Approx. Weight
DE	NDE	lbs
6206ZZ	6205ZZ	84

#### Hazardous Locations Information

N/A	
0	
0	
Temp Code (Sinewave / VFD)	0 / 0

**Connection Diagram**

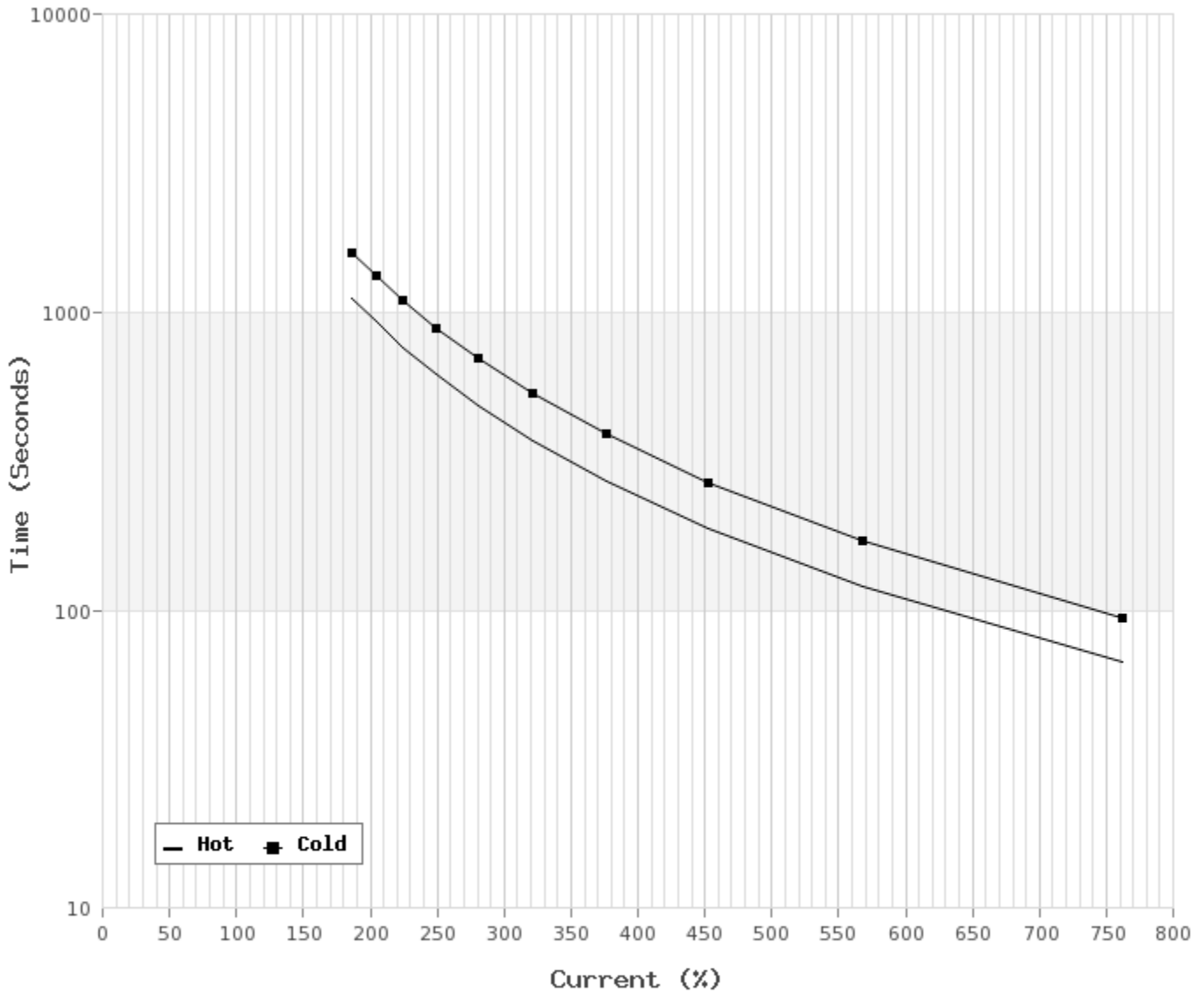


3 LEAD		SINGLE VOLTAGE			WYE
VOLTAGE	CONN.	L1	L2	L3	
-	WYE	1	2	3	

WD\_3Y

**Thermal Limit Curves**

Motor Type: AEGH		Catalogue No: RF00265		Family: Rolled Steel TEFC	
HP	2	Safe Stall Time		Full Load A	0.0 / 2.6 A
Voltage	0 / 575V 60Hz	Hot	63 s	Locked Rotor A	763 %
RPM	1200	Cold	90 s	Locked Rotor A	0.0 / 20 A



**T-N and I-N Curves**

Motor Type: AEGH		Catalogue No: RF00265		Family: Rolled Steel TEFC	
HP	2	Full Load T	9.01 lb-ft	Full Load A	2.6 A
Voltage	575V 60Hz	Locked Rotor T	160 %	Locked Rotor A	20.0 A
RPM	1200	Pull Up T	150 %	Break Down T	270 %

