

Technical Documentation

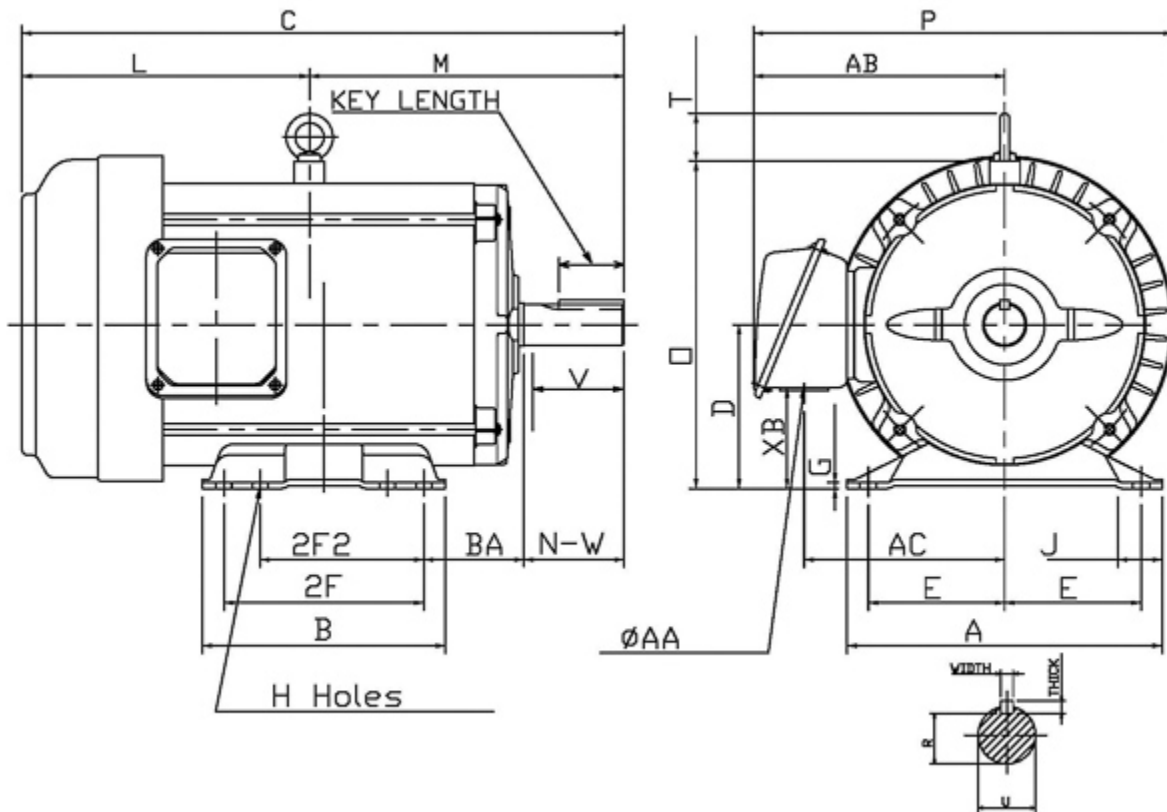
# **RF0056**

## **Rolled Steel TEFC | AEGH**

Date: December 1, 2016

### Dimensional Drawing

Catalogue	Model	HP	Pole	kW	Rating	Voltage	Hz	RPM
RF0056	AEGH	5	6	3.7	Continuous	230 / 460 V	60	1200



Frame Size	Mounting					A	B	C	CD	D	
	E	2F	2F2	H	BA						
215T	8.5	7	5.5	0.41	3.5	9.7	8.2	20.5		5.25	
G	J	K	L	M	O	P	T	Key			Keyseat
0.18	1.22		9.67	10.83	10.53	10.74	1.63	Width	Thick	Length	R
								0.312	0.312	2.41	1.201
Terminal Housing			Aux Box			C/D Flange					
AA	AB	AC	XB	AE	AX	BB	AH	AK	BD	AJ	BF
1.38	8.16	6.38	2.81								
Shaft Extension			Bearings		Approx. Weight Lbs	SPL dBA/3ft	Ins. Class	S.F.	Drive Method	Dimensions	
N-W	U	V	DE	NDE							
3.38	1.375	3.3	6208ZZ	6206ZZ	164	63	F	1.15	Direct Coupling / Belt Drive	Inches	

### Technical Data Sheet

Motor Type: AEGH

Catalogue No: RF0056

#### Nameplate Information

HP	Pole	RPM	Frame	Voltage	Hz	Phase
5	6	1170	215T	230 / 460	60	3
Enclosure	Ins. Class	Service Factor	Time Rating	NEMA Design	Rated Amb.	Rated Altitude
TEFC	F	1.15	Continuous	B	-40 to 40 °C	<3300 ft

#### Typical Performance

Efficiency (%)				Power Factor (%)		
Full Load		3/4 Load	1/2 Load	Full Load	3/4 Load	1/2 Load
Nom.	Min.					
90.2	88.5	91.0	89.5	73.5	65.5	52.5
Torque				Current (A)		
Full Load (lb-ft)	Locked Rotor (% FLT)	Pull Up (% FLT)	Break Down (% FLT)	No Load	Full Load	Locked Rotor
22.44	200	170	365	3.7 / 1.8	14.1 / 7.1	92 / 46
NEMA KVA Code	Inertia (WR <sup>2</sup> )			Safe Stall Time (s)		Noise Level Sound Press. dB(A)
	Rotor (lb-ft <sup>2</sup> )	NEMA Load (lb-ft <sup>2</sup> )	Max. Allowable (lb-ft <sup>2</sup> )	Cold	Hot	
J	1.213	70.9	479	62	43	63

#### VFD Duty Information

Speed Range			VFD		S.F.
Constant Torque	Variable Torque	Constant Power	Carrier	Type	
6-60Hz	3-60Hz	60-120Hz	≤ 5 kHz	VPWM or CPWM	1.0 Only

#### Additional Information

Bearings		Approx. Weight
DE	NDE	lbs
6208ZZ	6206ZZ	164

#### Hazardous Locations Information

N/A	
Temp Code (Sinewave / VFD)	/

**Connection Diagram**

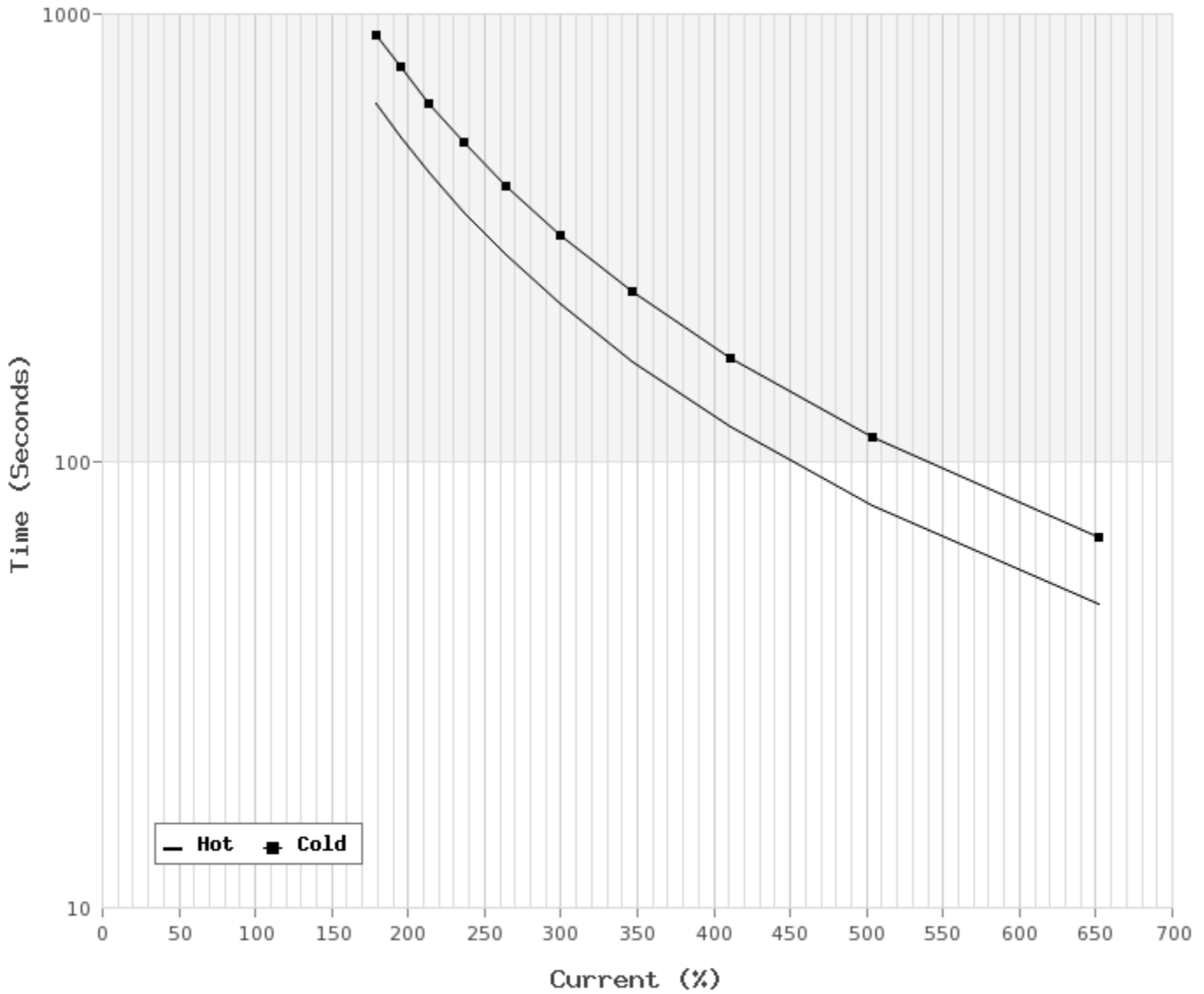


9 LEAD DUAL VOLTAGE WYE					
VOLTAGE	CONN.	L1	L2	L3	JOIN
HIGH	WYE	1	2	3	4&7,5&8,6&9
LOW	2 WYE	1,7	2,8	3,9	4&5&6

WD\_9Y

### Thermal Limit Curves

Motor Type: AEGH		Catalogue No: RF0056		Family: Rolled Steel TEFC	
HP	5	Safe Stall Time		Full Load A	14.1 / 7.1 A
Voltage	230 / 460V 60Hz	Hot	43 s	Locked Rotor A	652 / 652 %
RPM	1200	Cold	62 s	Locked Rotor A	92.0 / 46 A



**T-N and I-N Curves**

Motor Type: AEGH		Catalogue No: RF0056		Family: Rolled Steel TEFC	
HP	5	Full Load T	22.44 lb-ft	Full Load A	14.1 / 7.1 A
Voltage	230 / 460V 60Hz	Locked Rotor T	200 %	Locked Rotor A	92.0 / 46.0 A
RPM	1200	Pull Up T	170 %	Break Down T	365 %

