

Technical Documentation

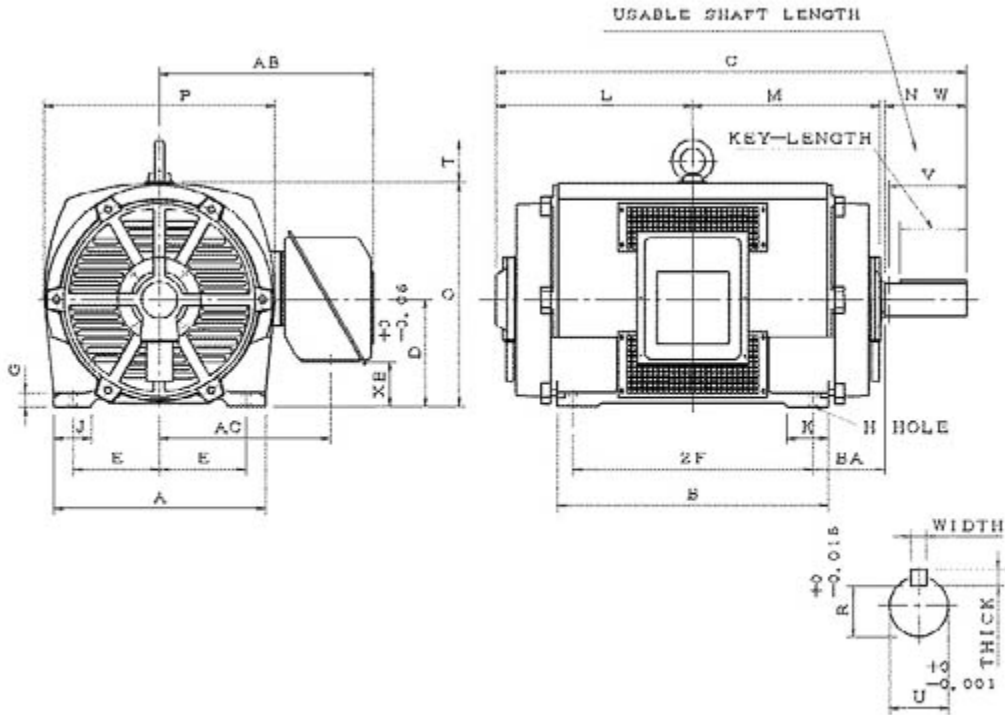
# **SDP2002**

## **Optim ODP | ASHH**

Date: December 1, 2016

**Dimensional Drawing**

Catalogue	Model	HP	Pole	kW	Rating	Voltage	Hz	RPM
SDP2002	ASHH	200	2	149	Continuous	460 V	60	3600



ASHH-HMP-1 1 0

Frame Size	Mounting					A	B	C	CD	D	
	E	2F	2F2	H	BA						
444TS	9	14.5		0.81	7.5	22.05	17.7	34.35		11	
G	J	K	L	M	O	P	T	Key			Keyseat
1.4	3.95	3.75	14.85	14.3	22.15	22.05	3.55	Width	Thick	Length	R
								0.625	0.625	3.03	2.021
Terminal Housing				Aux Box		C/D Flange					
AA	AB	AC	XB	AE	AX	BB	AH	AK	BD	Aj	BF
	21.25	16.75	4.65								
Shaft Extension			Bearings		Approx. Weight Lbs	SPL dBA/3ft	Ins. Class	S.F.	Drive Method	Dimensions	
N-W	U	V	DE	NDE							
4.75	2.375	4.5	6314C3	6314C3	1150	86	F	1.15	Direct Coupling	Inches	

### Technical Data Sheet

Motor Type: ASHH

Catalogue No: SDP2002

#### Nameplate Information

HP	Pole	RPM	Frame	Voltage	Hz	Phase
200	2	3548	444TS	460	60	3
Enclosure	Ins. Class	Service Factor	Time Rating	NEMA Design	Rated Amb.	Rated Altitude
ODP	F	1.15	Continuous	B	-40 to 40 °C	<3300 ft

#### Typical Performance

Efficiency (%)				Power Factor (%)		
Full Load		3/4 Load	1/2 Load	Full Load	3/4 Load	1/2 Load
Nom.	Min.					
95.0	94.1	94.6	93.5	88.5	87.7	84.6
Torque				Current (A)		
Full Load (lb-ft)	Locked Rotor (% FLT)	Pull Up (% FLT)	Break Down (% FLT)	No Load	Full Load	Locked Rotor
296.00	105	97	210	61.9	223.0	1450
NEMA KVA Code	Inertia (WR <sup>2</sup> )			Safe Stall Time (s)		Noise Level Sound Press. dB(A)
	Rotor (lb-ft <sup>2</sup> )	NEMA Load (lb-ft <sup>2</sup> )	Max. Allowable (lb-ft <sup>2</sup> )	Cold	Hot	
G	16.000	172	172	19	14	86

#### VFD Duty Information

Speed Range			VFD		S.F.
Constant Torque	Variable Torque	Constant Power	Carrier	Type	
6-60Hz	3-60Hz	60-120Hz	≤ 5 kHz	VPWM or CPWM	1.0 Only

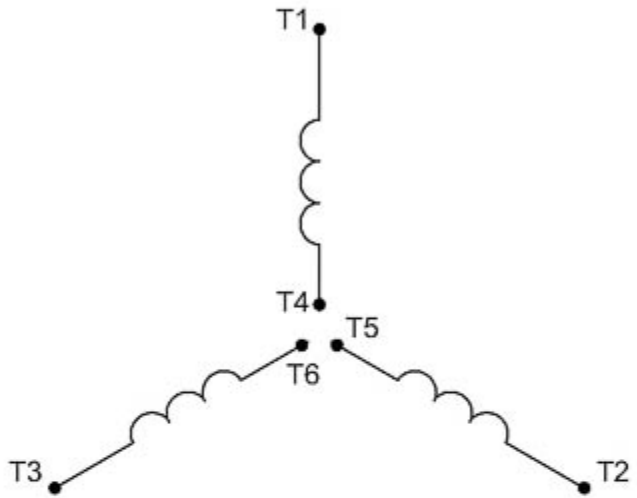
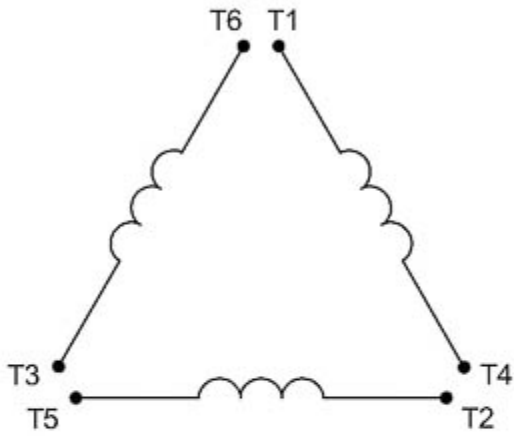
#### Additional Information

Bearings		Approx. Weight
DE	NDE	lbs
6314C3	6314C3	1150

#### Hazardous Locations Information

N/A	
Temp Code (Sinewave / VFD)	/

**Connection Diagram**

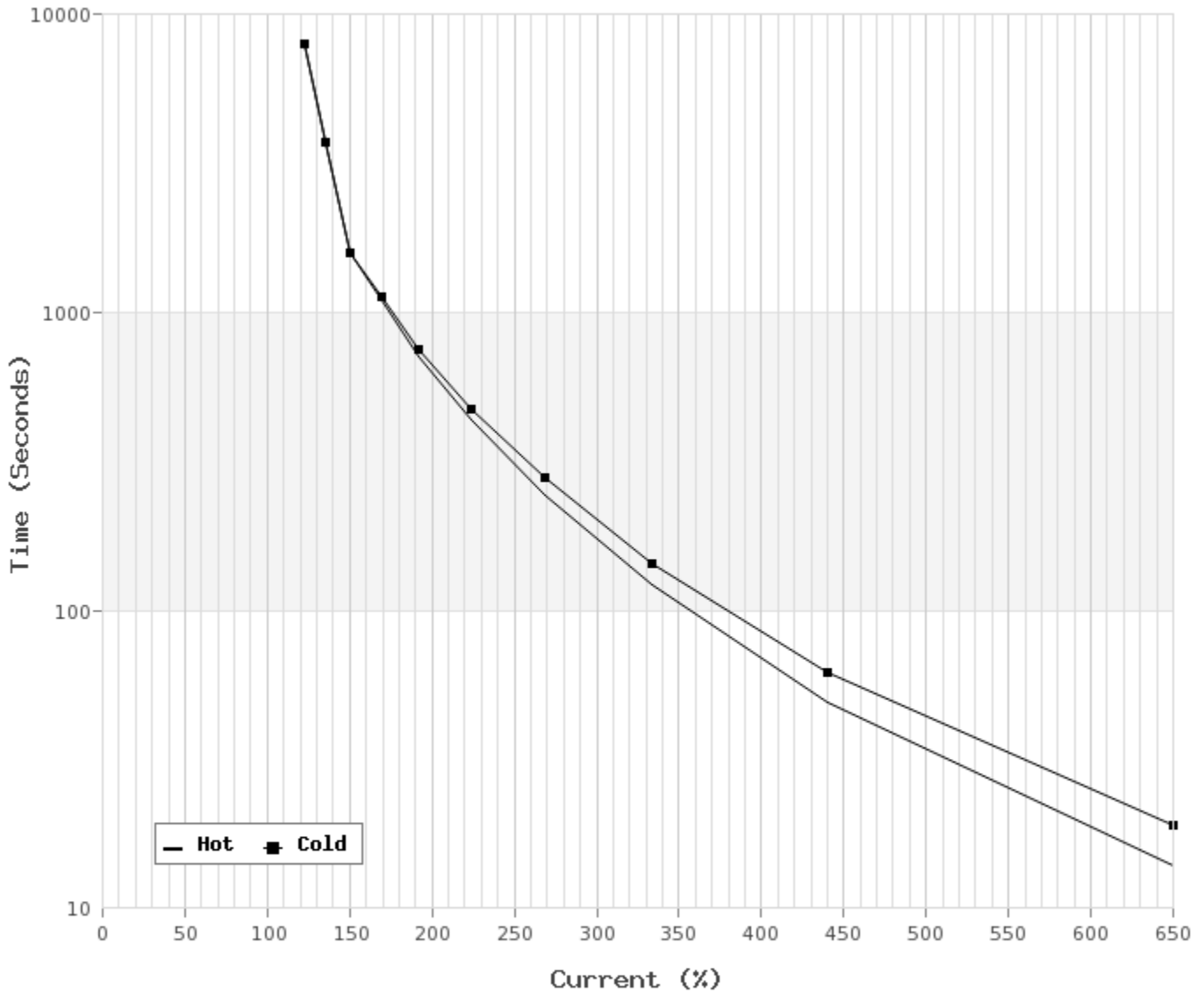


6 LEAD		SINGLE VOLTAGE			WYE/DELTA
CONNECTION		L1	L2	L3	JOIN
START	WYE	1	2	3	4&5&6
RUN	DELTA	1,6	2,4	3,5	-

WD\_6YD

**Thermal Limit Curves**

Motor Type: ASHH		Catalogue No: SDP2002		Family: Optim ODP	
HP	200	Safe Stall Time		Full Load A	0.0 / 223.0 A
Voltage	0 / 460V 60Hz	Hot	14 s	Locked Rotor A	650 %
RPM	3600	Cold	19 s	Locked Rotor A	0.0 / 1 A



**T-N and I-N Curves**

Motor Type: ASHH		Catalogue No: SDP2002		Family: Optim ODP	
HP	200	Full Load T	296.00 lb-ft	Full Load A	223.0 A
Voltage	460V 60Hz	Locked Rotor T	105 %	Locked Rotor A	1,450.0 A
RPM	3600	Pull Up T	97 %	Break Down T	210 %

