

Technical Documentation

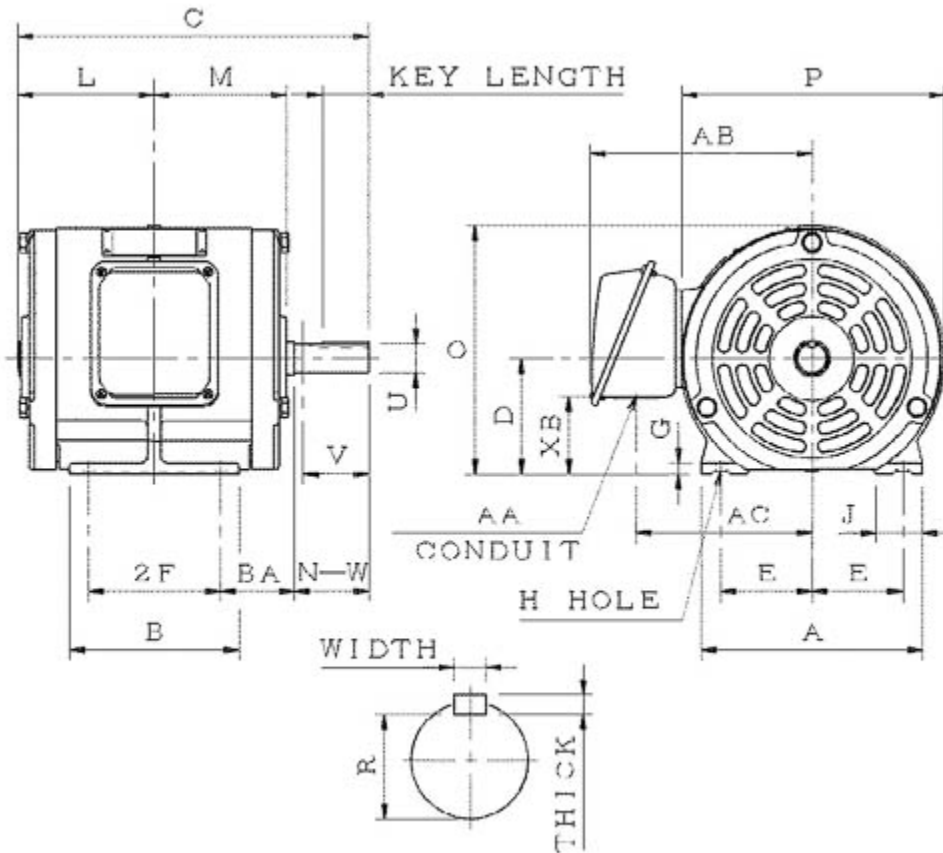
SDP0032

Optim ODP | ASHH

Date: December 1, 2016

Dimensional Drawing

Catalogue	Model	HP	Pole	kW	Rating	Voltage	Hz	RPM
SDP0032	ASHH	3	2	2.2	Continuous	230 / 460 V	60	3600



ASHH-SMP-1

Frame Size	Mounting					A	B	C	CD	D	
	E	2F	2F2	H	BA						
145T	2.75	5		0.34	2.25	6.7	5.9	11.65		3.5	
G	J	K	L	M	O	P	T	Key			Keyseat
0.35	1.4		4.65	4.5	7.5	7.87		Width	Thick	Length	R
								0.188	0.188	1.41	0.771
Terminal Housing				Aux Box		C/D Flange					
AA	AB	AC	XB	AE	AX	BB	AH	AK	BD	AJ	BF
1.1	6.7	5.3	2.3								
Shaft Extension			Bearings		Approx. Weight Lbs	SPL dBA/3ft	Ins. Class	S.F.	Drive Method	Dimensions	
N-W	U	V	DE	NDE							
2.25	0.875	2.2	6205ZZ	6205ZZ	66	53	F	1.15	Direct Coupling / Belt Drive	Inches	

Technical Data Sheet

Motor Type: ASHH

Catalogue No: SDP0032

Nameplate Information

HP	Pole	RPM	Frame	Voltage	Hz	Phase
3	2	3440	145T	230 / 460	60	3
Enclosure	Ins. Class	Service Factor	Time Rating	NEMA Design	Rated Amb.	Rated Altitude
ODP	F	1.15	Continuous	C	-40 to 40 °C	<3300 ft

Typical Performance

Efficiency (%)				Power Factor (%)		
Full Load		3/4 Load	1/2 Load	Full Load	3/4 Load	1/2 Load
Nom.	Min.					
87.5	85.5	88.5	87.5	87.0	81.5	71.0
Torque				Current (A)		
Full Load (lb-ft)	Locked Rotor (% FLT)	Pull Up (% FLT)	Break Down (% FLT)	No Load	Full Load	Locked Rotor
4.58	360	330	370	3.1 / 1.6	7.4 / 3.7	64 / 32
NEMA KVA Code	Inertia (WR ²)			Safe Stall Time (s)		Noise Level Sound Press. dB(A)
	Rotor (lb-ft ²)	NEMA Load (lb-ft ²)	Max. Allowable (lb-ft ²)	Cold	Hot	
K	0.081	3.5	7	17	12	53

VFD Duty Information

Speed Range			VFD		S.F.
Constant Torque	Variable Torque	Constant Power	Carrier	Type	
6-60Hz	3-60Hz	60-120Hz	≤ 5 kHz	VPWM or CPWM	1.0 Only

Additional Information

Bearings		Approx. Weight
DE	NDE	lbs
6205ZZ	6205ZZ	66

Hazardous Locations Information

N/A	
Temp Code (Sinewave / VFD)	/

Connection Diagram

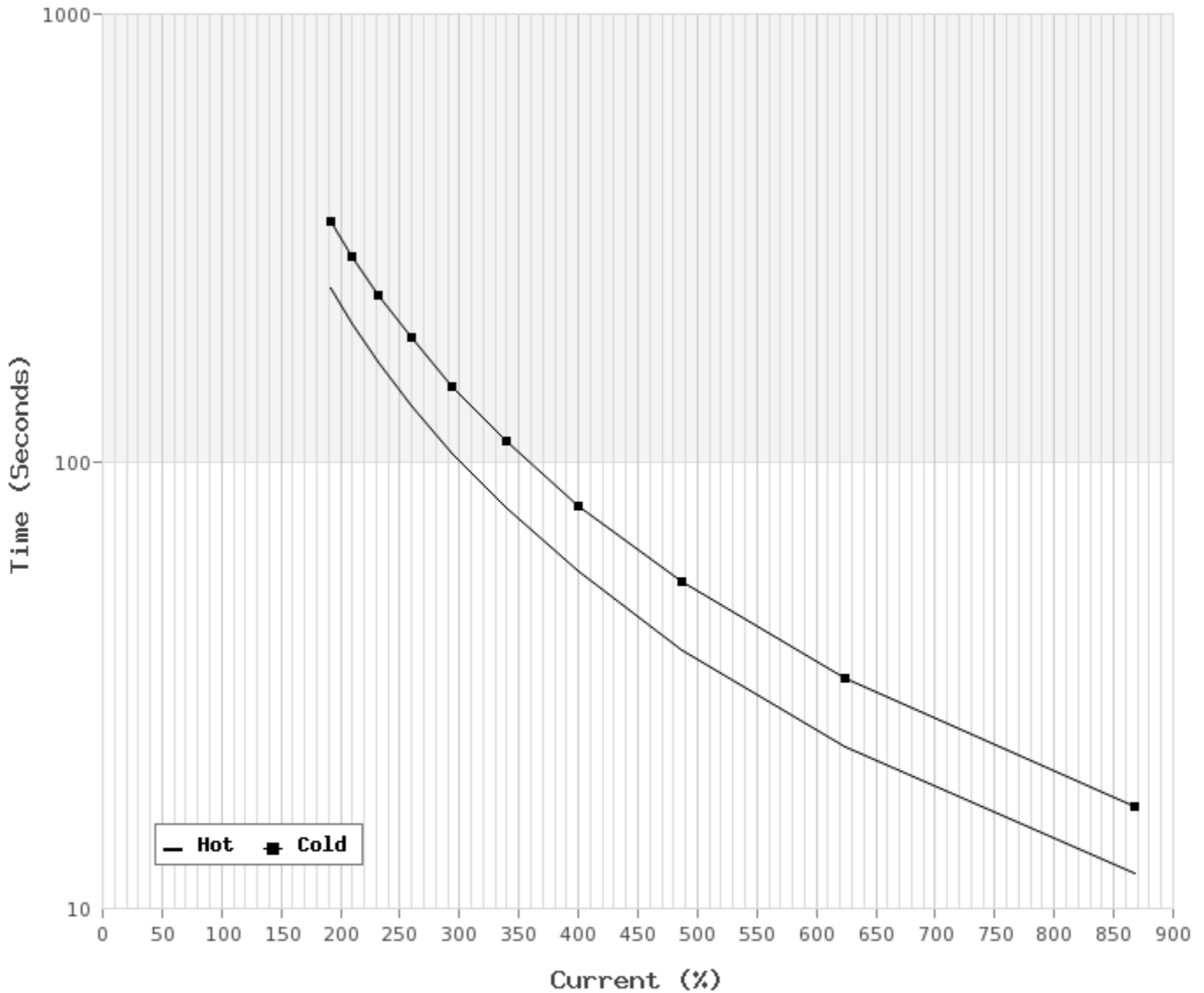


9 LEAD DUAL VOLTAGE WYE					
VOLTAGE	CONN.	L1	L2	L3	JOIN
HIGH	WYE	1	2	3	4&7,5&8,6&9
LOW	2 WYE	1,7	2,8	3,9	4&5&6

WD_9Y

Thermal Limit Curves

Motor Type: ASHH		Catalogue No: SDP0032		Family: Optim ODP	
HP	3	Safe Stall Time		Full Load A	7.4 / 3.7 A
Voltage	230 / 460V 60Hz	Hot	12 s	Locked Rotor A	867 / 867 %
RPM	3600	Cold	17 s	Locked Rotor A	64.0 / 32 A



T-N and I-N Curves

Motor Type: ASHH		Catalogue No: SDP0032		Family: Optim ODP	
HP	3	Full Load T	4.58 lb-ft	Full Load A	7.4 / 3.7 A
Voltage	230 / 460V 60Hz	Locked Rotor T	360 %	Locked Rotor A	64.0 / 32.0 A
RPM	3600	Pull Up T	330 %	Break Down T	370 %

