

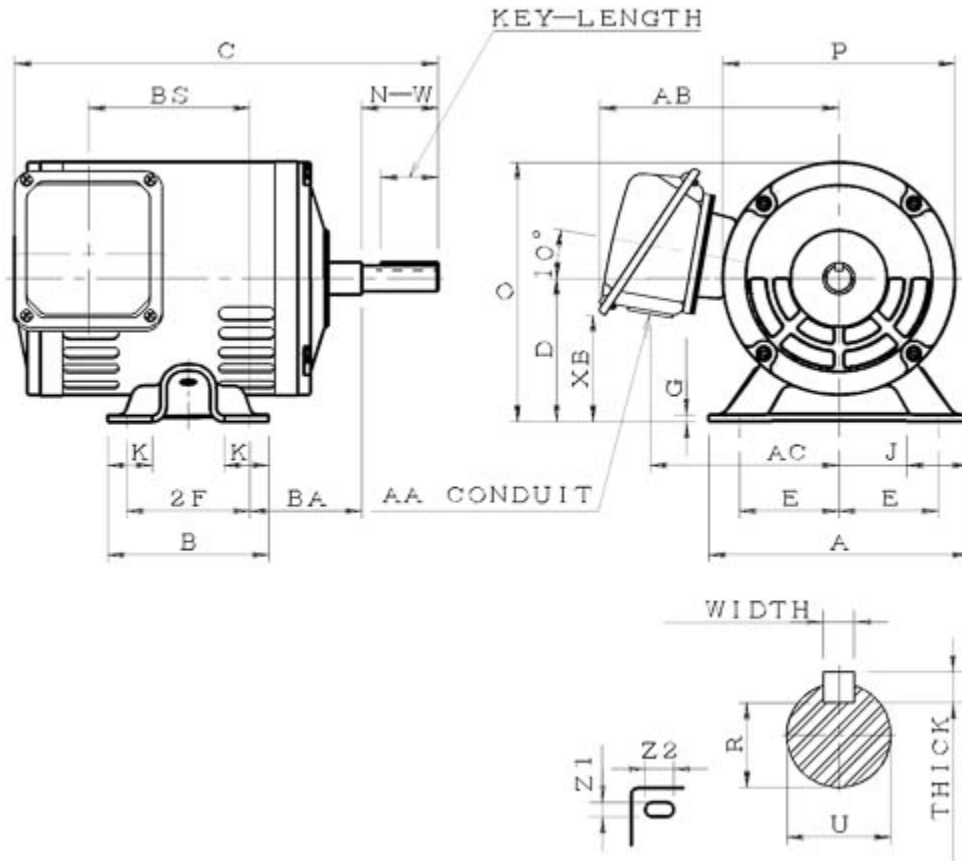
Technical Documentation

RD0/34
Rolled Steel ODP | ASGH

Date: November 30, 2016

Dimensional Drawing

| | | | | | | | | |
|-----------|-------|------|------|------|------------|-------------|----|------|
| Catalogue | Model | HP | Pole | kW | Rating | Voltage | Hz | RPM |
| RD0/34 | ASGH | 0.33 | 4 | 0.25 | Continuous | 230 / 460 V | 60 | 1800 |



ASGH-SMP-1

| Frame Size | Mounting | | | | | A | B | C | CD | D | |
|------------------|----------|------|----------|-----------|--------------------|-------------|------------|-------|------------------------------|------------|---------|
| | E | 2F | 2F2 | H | BA | | | | | | |
| 56 | 2.44 | 3 | | 0.34x0.68 | 2.75 | 6.38 | 3.94 | 10.38 | | 3.5 | |
| G | J | K | L | M | O | P | T | Key | | | Keyseat |
| 0.16 | 1.54 | 1.08 | | | 6.34 | 5.69 | | Width | Thick | Length | R |
| | | | | | | | | 0.188 | 0.188 | 1.41 | 0.517 |
| Terminal Housing | | | | Aux Box | | C/D Flange | | | | | |
| AA | AB | AC | XB | AE | AX | BB | AH | AK | BD | AJ | BF |
| 1.1 | 5.87 | 4.64 | 2.61 | | | | | | | | |
| Shaft Extension | | | Bearings | | Approx. Weight Lbs | SPL dBA/3ft | Ins. Class | S.F. | Drive Method | Dimensions | |
| N-W | U | V | DE | NDE | | | | | | | |
| 1.875 | 0.625 | | 6204ZZ | 6203ZZ | 21 | 53.5 | F | 1.15 | Direct Coupling / Belt Drive | Inches | |

Technical Data Sheet

Motor Type: ASGH

Catalogue No: RD0/34

Nameplate Information

| | | | | | | |
|-----------|------------|----------------|-------------|-------------|--------------|----------------|
| HP | Pole | RPM | Frame | Voltage | Hz | Phase |
| 0.33 | 4 | 1735 | 56 | 230 / 460 | 60 | 3 |
| Enclosure | Ins. Class | Service Factor | Time Rating | NEMA Design | Rated Amb. | Rated Altitude |
| ODP | F | 1.15 | Continuous | B | -40 to 40 °C | <3300 ft |

Typical Performance

| Efficiency (%) | | | | Power Factor (%) | | |
|-------------------|-----------------------------|---------------------------------|--------------------------------------|---------------------|-----------|--------------------------------|
| Full Load | | 3/4 Load | 1/2 Load | Full Load | 3/4 Load | 1/2 Load |
| Nom. | Min. | | | | | |
| 72.0 | 75.5 | 74.0 | 69.0 | 74.5 | 64.5 | 51.0 |
| Torque | | | | Current (A) | | |
| Full Load (lb-ft) | Locked Rotor (% FLT) | Pull Up (% FLT) | Break Down (% FLT) | No Load | Full Load | Locked Rotor |
| 1.01 | 235 | 225 | 330 | 0.8 / 0.4 | 1.1 / 0.6 | 7 / 4 |
| NEMA KVA Code | Inertia (WR ²) | | | Safe Stall Time (s) | | Noise Level Sound Press. dB(A) |
| | Rotor (lb-ft ²) | NEMA Load (lb-ft ²) | Max. Allowable (lb-ft ²) | Cold | Hot | |
| K | 0.033 | 2.1 | 14 | 70 | 49 | 53.5 |

VFD Duty Information

| Speed Range | | | VFD | | S.F. |
|-----------------|-----------------|----------------|---------|--------------|----------|
| Constant Torque | Variable Torque | Constant Power | Carrier | Type | |
| 6-60Hz | 3-60Hz | 60-120Hz | ≤ 5 kHz | VPWM or CPWM | 1.0 Only |

Additional Information

| Bearings | | Approx. Weight |
|----------|--------|----------------|
| DE | NDE | lbs |
| 6204ZZ | 6203ZZ | 21 |

Hazardous Locations Information

| | |
|----------------------------|---|
| N/A | |
| Temp Code (Sinewave / VFD) | / |

Connection Diagram



| 9 LEAD DUAL VOLTAGE WYE | | | | | |
|-------------------------|-------|-----|-----|-----|-------------|
| VOLTAGE | CONN. | L1 | L2 | L3 | JOIN |
| HIGH | WYE | 1 | 2 | 3 | 4&7,5&8,6&9 |
| LOW | 2 WYE | 1,7 | 2,8 | 3,9 | 4&5&6 |

WD_9Y