

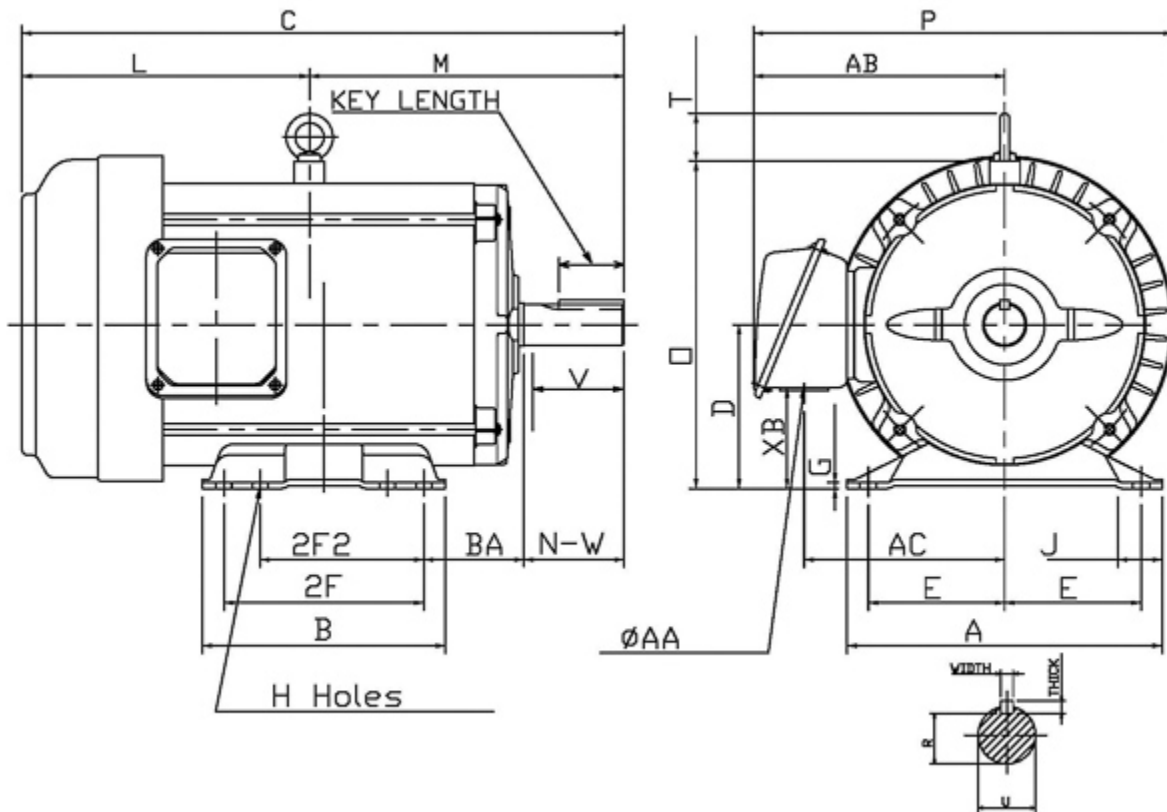
Technical Documentation

RF0036
Rolled Steel TEFC | AEGH

Date: December 1, 2016

Dimensional Drawing

Catalogue	Model	HP	Pole	kW	Rating	Voltage	Hz	RPM
RF0036	AEGH	3	6	2.2	Continuous	230 / 460 V	60	1200



Frame Size	Mounting					A	B	C	CD	D	
	E	2F	2F2	H	BA						
213T	8.5	7	5.5	0.41	3.5	9.7	8.2	20.5		5.25	
G	J	K	L	M	O	P	T	Key			Keyseat
0.18	1.22		9.67	10.83	10.53	10.74	1.63	Width	Thick	Length	R
								0.312	0.312	2.41	1.201
Terminal Housing			Aux Box			C/D Flange					
AA	AB	AC	XB	AE	AX	BB	AH	AK	BD	AJ	BF
1.38	8.16	6.38	2.81								
Shaft Extension			Bearings		Approx. Weight Lbs	SPL dBA/3ft	Ins. Class	S.F.	Drive Method	Dimensions	
N-W	U	V	DE	NDE							
3.38	1.375	3.3	6208ZZ	6206ZZ	126	57	F	1.15	Direct Coupling / Belt Drive	Inches	

Technical Data Sheet

Motor Type: AEGH

Catalogue No: RF0036

Nameplate Information

HP	Pole	RPM	Frame	Voltage	Hz	Phase
3	6	1170	213T	230 / 460	60	3
Enclosure	Ins. Class	Service Factor	Time Rating	NEMA Design	Rated Amb.	Rated Altitude
TEFC	F	1.15	Continuous	B	-40 to 40 °C	<3300 ft

Typical Performance

Efficiency (%)				Power Factor (%)		
Full Load		3/4 Load	1/2 Load	Full Load	3/4 Load	1/2 Load
Nom.	Min.					
89.5	87.5	87.5	85.0	68.0	60.0	47.5
Torque				Current (A)		
Full Load (lb-ft)	Locked Rotor (% FLT)	Pull Up (% FLT)	Break Down (% FLT)	No Load	Full Load	Locked Rotor
13.46	230	215	300	2.7 / 1.4	9.2 / 4.6	64 / 32
NEMA KVA Code	Inertia (WR ²)			Safe Stall Time (s)		Noise Level Sound Press. dB(A)
	Rotor (lb-ft ²)	NEMA Load (lb-ft ²)	Max. Allowable (lb-ft ²)	Cold	Hot	
K	0.910	43.7	400	76	53	57

VFD Duty Information

Speed Range			VFD		S.F.
Constant Torque	Variable Torque	Constant Power	Carrier	Type	
6-60Hz	3-60Hz	60-120Hz	≤ 5 kHz	VPWM or CPWM	1.0 Only

Additional Information

Bearings		Approx. Weight
DE	NDE	lbs
6208ZZ	6206ZZ	126

Hazardous Locations Information

N/A	
Temp Code (Sinewave / VFD)	/

Connection Diagram

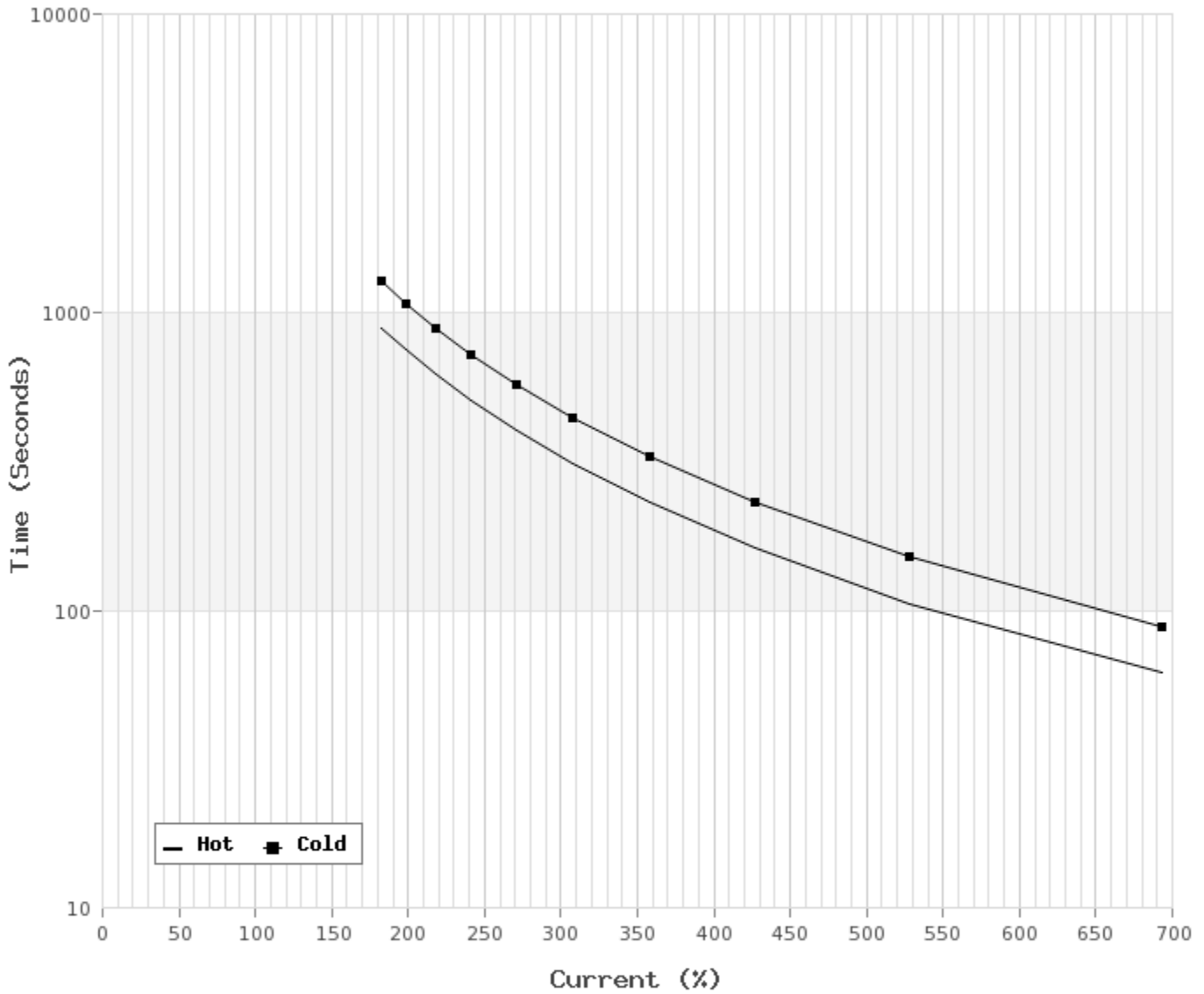


9 LEAD DUAL VOLTAGE WYE					
VOLTAGE	CONN.	L1	L2	L3	JOIN
HIGH	WYE	1	2	3	4&7,5&8,6&9
LOW	2 WYE	1,7	2,8	3,9	4&5&6

WD_9Y

Thermal Limit Curves

Motor Type: AEGH		Catalogue No: RF0036		Family: Rolled Steel TEFC	
HP	3	Safe Stall Time		Full Load A	9.2 / 4.6 A
Voltage	230 / 460V 60Hz	Hot	53 s	Locked Rotor A	693 / 693 %
RPM	1200	Cold	76 s	Locked Rotor A	64.0 / 32 A



T-N and I-N Curves

Motor Type: AEGH		Catalogue No: RF0036		Family: Rolled Steel TEFC	
HP	3	Full Load T	13.46 lb-ft	Full Load A	9.2 / 4.6 A
Voltage	230 / 460V 60Hz	Locked Rotor T	230 %	Locked Rotor A	64.0 / 32.0 A
RPM	1200	Pull Up T	215 %	Break Down T	300 %

