

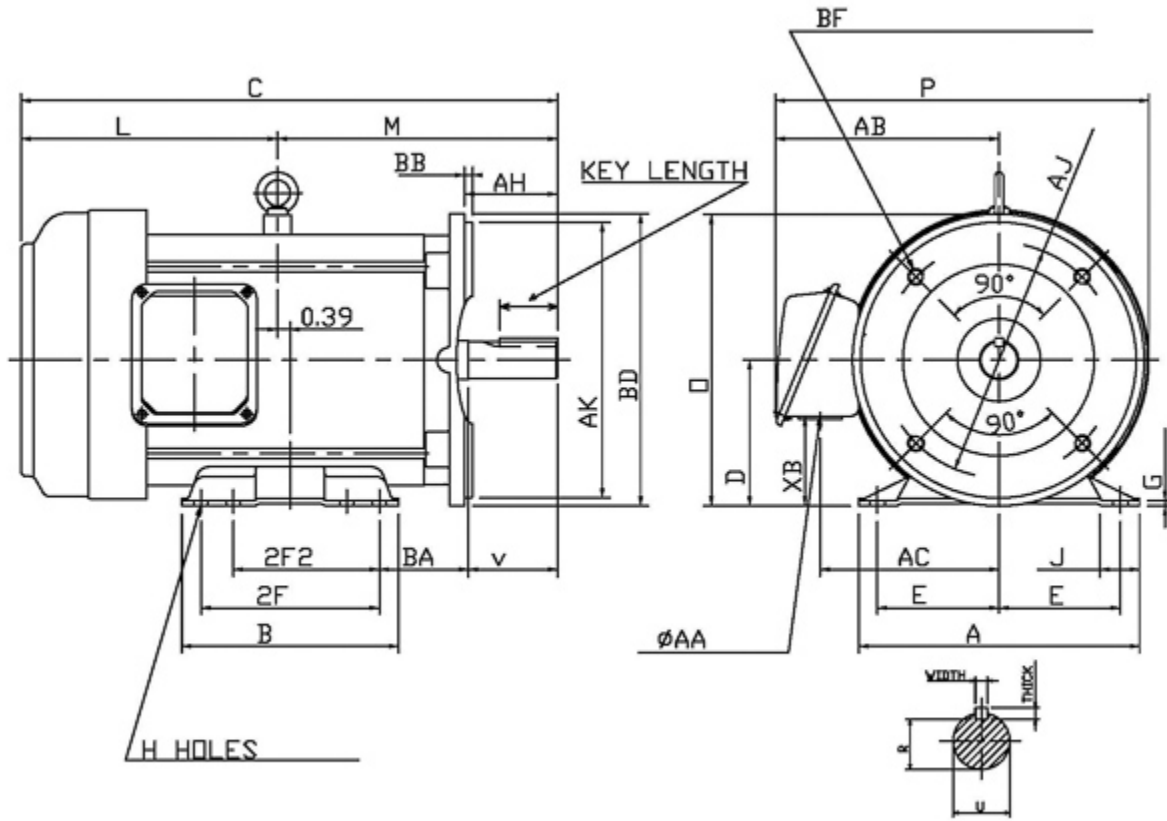
Technical Documentation

RF0032C
Rolled Steel TEFC | AEGH

Date: July 10, 2017

Dimensional Drawing

Catalogue	Model	HP	Pole	kW	Rating	Voltage	Hz	RPM
RF0032C	AEGH	3	2	2.2	Continuous	230 / 460 V	60	3600



Frame Size	Mounting					A	B	C	CD	D	
	E	2F	2F2	H	BA						
182TC	3.75	5.5	4.5	0.41	2.75	8.66	6.68	16.55		4.5	
G	J	K	L	M	O	P	T	Key			Keyseat
0.16	1.22		7.91	8.64	8.99	9.25	1.31	Width	Thick	Length	R
								0.25	0.25	1.78	0.986
Terminal Housing			Aux Box			C/D Flange					
AA	AB	AC	XB	AE	AX	BB	AH	AK	BD	AJ	BF
1.1	6.9	5.51	2.77			0.25	2.62	8.5	9	7.25	1/2-13
Shaft Extension			Bearings		Approx. Weight Lbs	SPL dBA/3ft	Ins. Class	S.F.	Drive Method	Dimensions	
N-W	U	V	DE	NDE							
2.75	1.125	2.7	6206ZZ	6205ZZ	73	62	F	1.15	Direct Coupling / Belt Drive	Inches	

Technical Data Sheet

Motor Type: AEGH

Catalogue No: RF0032C

Nameplate Information

HP	Pole	RPM	Frame	Voltage	Hz	Phase
3	2	3475	182TC	230 / 460	60	3
Enclosure	Ins. Class	Service Factor	Time Rating	NEMA Design	Rated Amb.	Rated Altitude
TEFC	F	1.15	Continuous	B	-40 to 40°C °C	<3300 ft

Typical Performance

Efficiency (%)				Power Factor (%)		
Full Load		3/4 Load	1/2 Load	Full Load	3/4 Load	1/2 Load
Nom.	Min.					
87.5	85.5	88.0	87.5	87.5	83.0	72.5
Torque				Current (A)		
Full Load (lb-ft)	Locked Rotor (% FLT)	Pull Up (% FLT)	Break Down (% FLT)	No Load	Full Load	Locked Rotor
4.53	335	325	400	1.4 / 0.7	7.3 / 3.7	64 / 32
NEMA KVA Code	Inertia (WR ²)			Safe Stall Time (s)		Noise Level Sound Press. dB(A)
	Rotor (lb-ft ²)	NEMA Load (lb-ft ²)	Max. Allowable (lb-ft ²)	Cold	Hot	
K	0.188	3.5	12	17	12	62

VFD Duty Information

Speed Range			VFD		S.F.
Constant Torque	Variable Torque	Constant Power	Carrier	Type	
6-60Hz	3-60Hz	60-120Hz	≤ 5 kHz	VPWM or CPWM	1.0 Only

Additional Information

Bearings		Approx. Weight
DE	NDE	lbs
6206ZZ	6205ZZ	73

Hazardous Locations Information

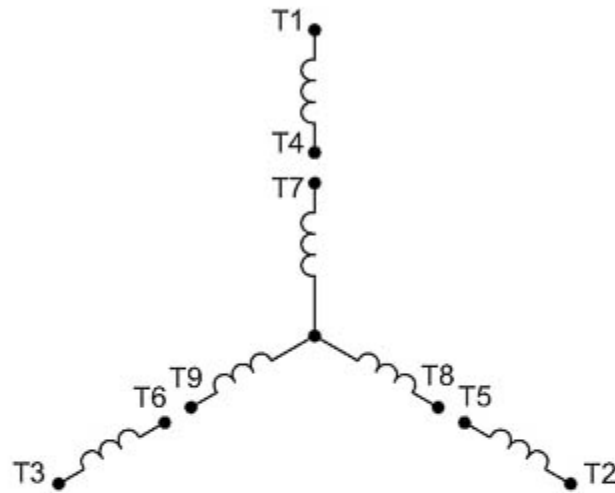
N/A	
0	
0	
Temp Code (Sinewave / VFD)	0 / 0

Nameplate Drawing

Rolled Steel TEFC

TYPE	AEGH	CAT. NO.	RF0032C		
OUTPUT	3 HP 2.2 kW	FRAME	182TC	TEFC	
R.P.M.	3475	POLE	2	INS.	F
VOLTS	230 / 460	PHASE	3	Hz	60
AMPS	7.3 / 3.7	CODE	K	S.F.	1.15
AMBIENT	40 °C	NOM. EFF. 87.5		MIN. EFF. 85.5	
BEARINGS	6206ZZ / 6205ZZ			RATING Cont.	
SER. NO.	TBD	DESIGN	B	WT. 73 LBS	
PWM VFD DUTY	VT	CT	CP	S.F.	
	3-60Hz	6-60Hz	60-120Hz	1.0 Only	

Connection Diagram

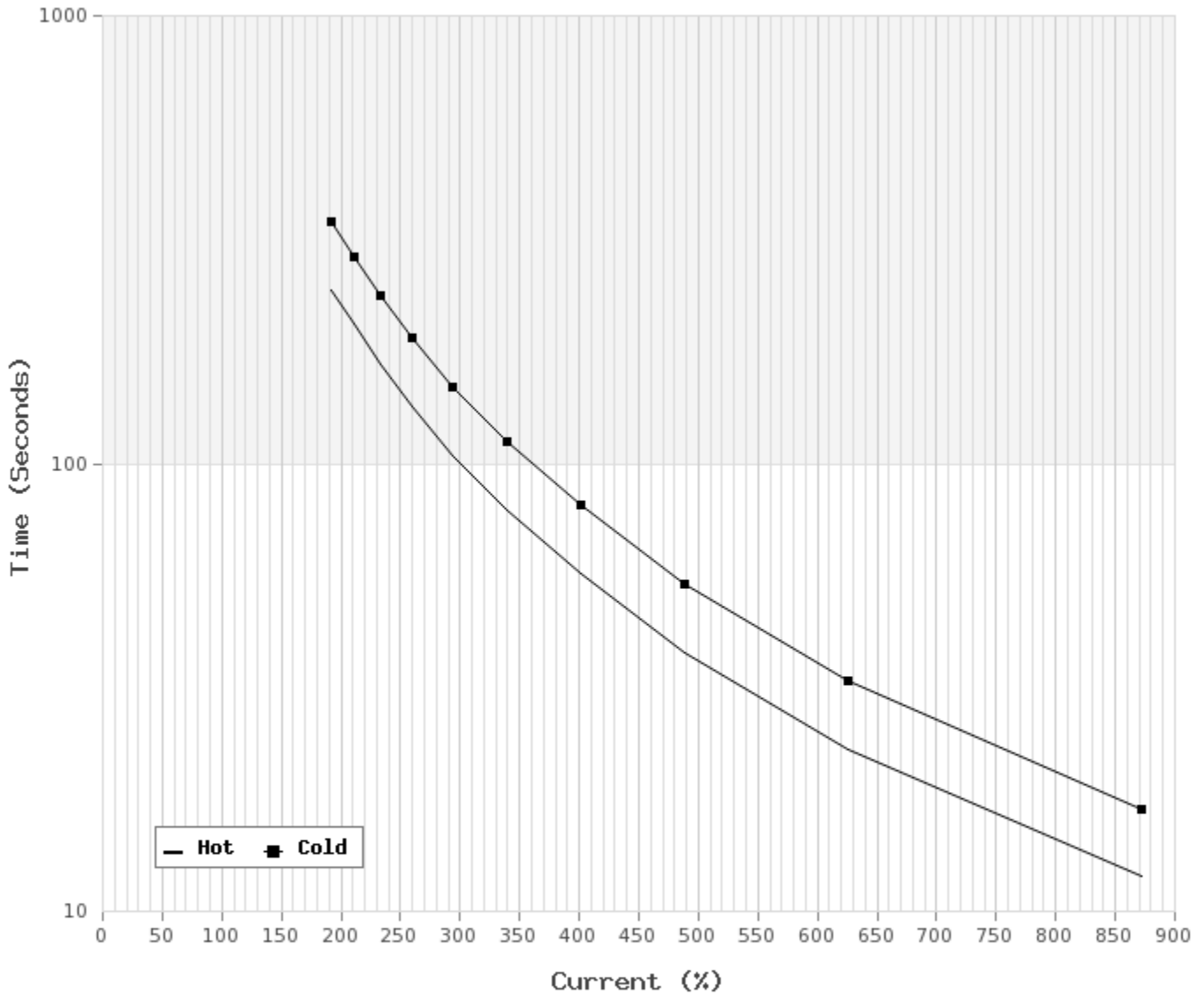


9 LEAD DUAL VOLTAGE WYE					
VOLTAGE	CONN.	L1	L2	L3	JOIN
HIGH	WYE	1	2	3	4&7,5&8,6&9
LOW	2 WYE	1,7	2,8	3,9	4&5&6

WD_9Y

Thermal Limit Curves

Motor Type: AEGH		Catalogue No: RF0032C		Family: Rolled Steel TEFC	
HP	3	Safe Stall Time		Full Load A	7.3 / 3.7 A
Voltage	230 / 460V 60Hz	Hot	12 s	Locked Rotor A	872 / 872 %
RPM	3600	Cold	17 s	Locked Rotor A	64.0 / 32 A



T-N and I-N Curves

Motor Type: AEGH		Catalogue No: RF0032C		Family: Rolled Steel TEFC	
HP	3	Full Load T	4.53 lb-ft	Full Load A	7.3 / 3.7 A
Voltage	230 / 460V 60Hz	Locked Rotor T	335 %	Locked Rotor A	64.0 / 32.0 A
RPM	3600	Pull Up T	325 %	Break Down T	400 %

