

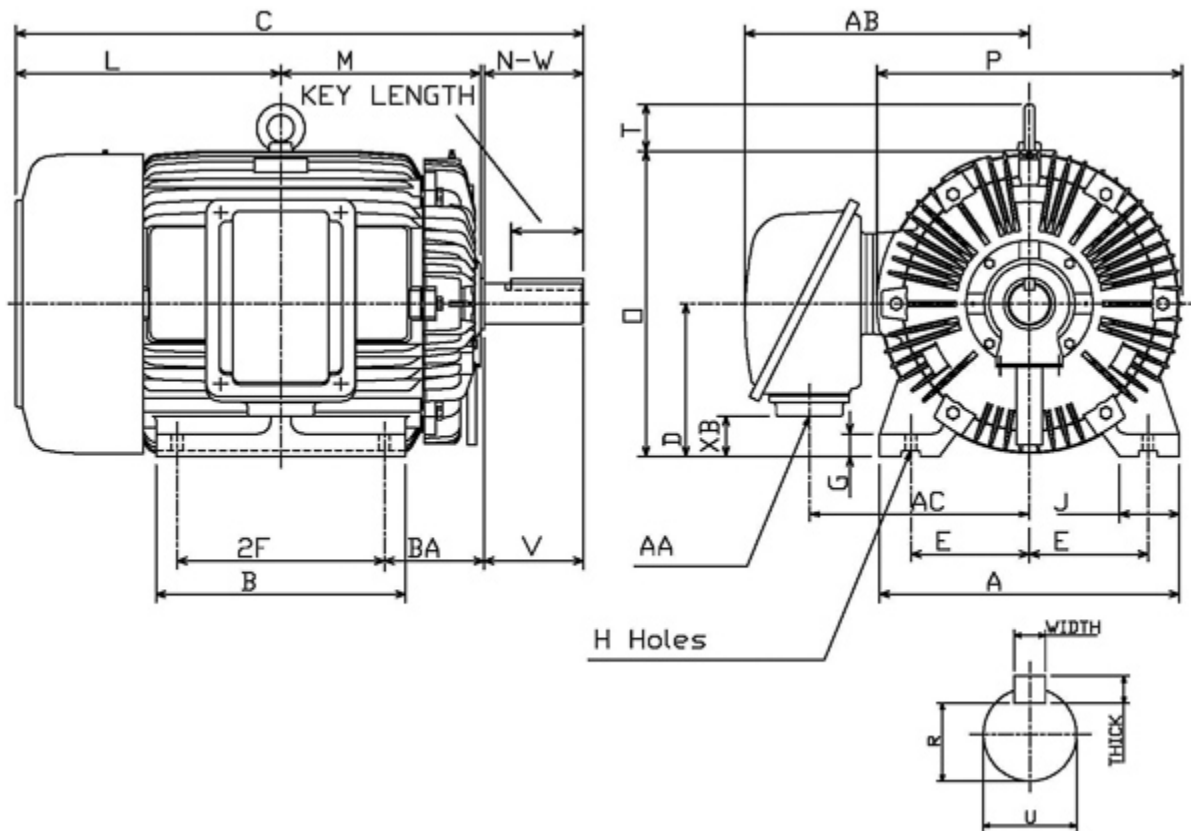
Technical Documentation

**PDH02525**  
**Optim TEFC | AEHH8N**

Date: November 30, 2016

**Dimensional Drawing**

Catalogue	Model	HP	Pole	kW	Rating	Voltage	Hz	RPM
PDH02525	AEHH8N	25	2	19	Continuous	575 V	60	3600



Frame Size	Mounting					A	B	C	CD	D	
	E	2F	2F2	H	BA						
284TS	5.5	9.5		0.53	4.75	14	11.7	25.43		7	
G	J	K	L	M	O	P	T	Key			Keyseat
0.7	2.95		12.68	9.31	14.52	15.04	1.97	Width	Thick	Length	R
								0.375	0.375	1.93	1.416
Terminal Housing				Aux Box		C/D Flange					
AA	AB	AC	XB	AE	AX	BB	AH	AK	BD	AJ	BF
1.25 NPT	12.28	9.84	3.97								
Shaft Extension			Bearings		Approx. Weight Lbs	SPL dBA/3ft	Ins. Class	S.F.	Drive Method	Dimensions	
N-W	U	V	DE	NDE							
3.25	1.625	3.2	6211C3	6211C3	440	76	F	1.15	Direct Coupling	Inches	

### Technical Data Sheet

Motor Type: AEHH8N

Catalogue No: PDH02525

#### Nameplate Information

HP	Pole	RPM	Frame	Voltage	Hz	Phase
25	2	3545	284TS	575	60	3
Enclosure	Ins. Class	Service Factor	Time Rating	NEMA Design	Rated Amb.	Rated Altitude
TEFC	F	1.15	Continuous	B	-40 to 40 °C	<3300 ft

#### Typical Performance

Efficiency (%)				Power Factor (%)		
Full Load		3/4 Load	1/2 Load	Full Load	3/4 Load	1/2 Load
Nom.	Min.					
92.4	91.0	93.0	92.4	91.0	90.5	86.5
Torque				Current (A)		
Full Load (lb-ft)	Locked Rotor (% FLT)	Pull Up (% FLT)	Break Down (% FLT)	No Load	Full Load	Locked Rotor
37.03	175	135	250	4.4	22.3	146
NEMA KVA Code	Inertia (WR <sup>2</sup> )			Safe Stall Time (s)		Noise Level Sound Press. dB(A)
	Rotor (lb-ft <sup>2</sup> )	NEMA Load (lb-ft <sup>2</sup> )	Max. Allowable (lb-ft <sup>2</sup> )	Cold	Hot	
G	2.507	26.0	75.0	32	22	76

#### VFD Duty Information

Speed Range			VFD		S.F.
Constant Torque	Variable Torque	Constant Power	Carrier	Type	
6-60Hz	3-60Hz	60-90Hz	≤ 5 kHz	VPWM or CPWM	1.0 Only

#### Additional Information

Bearings		Approx. Weight
DE	NDE	lbs
6211C3	6211C3	440

#### Hazardous Locations Information

CSA Certified	
Class I, Div 2, Groups B, C & D	
Class I, Zone 2, Groups IIB+H2, IIB & IIA	
Temp Code (Sinewave / VFD)	T3C / T3B

**Connection Diagram**

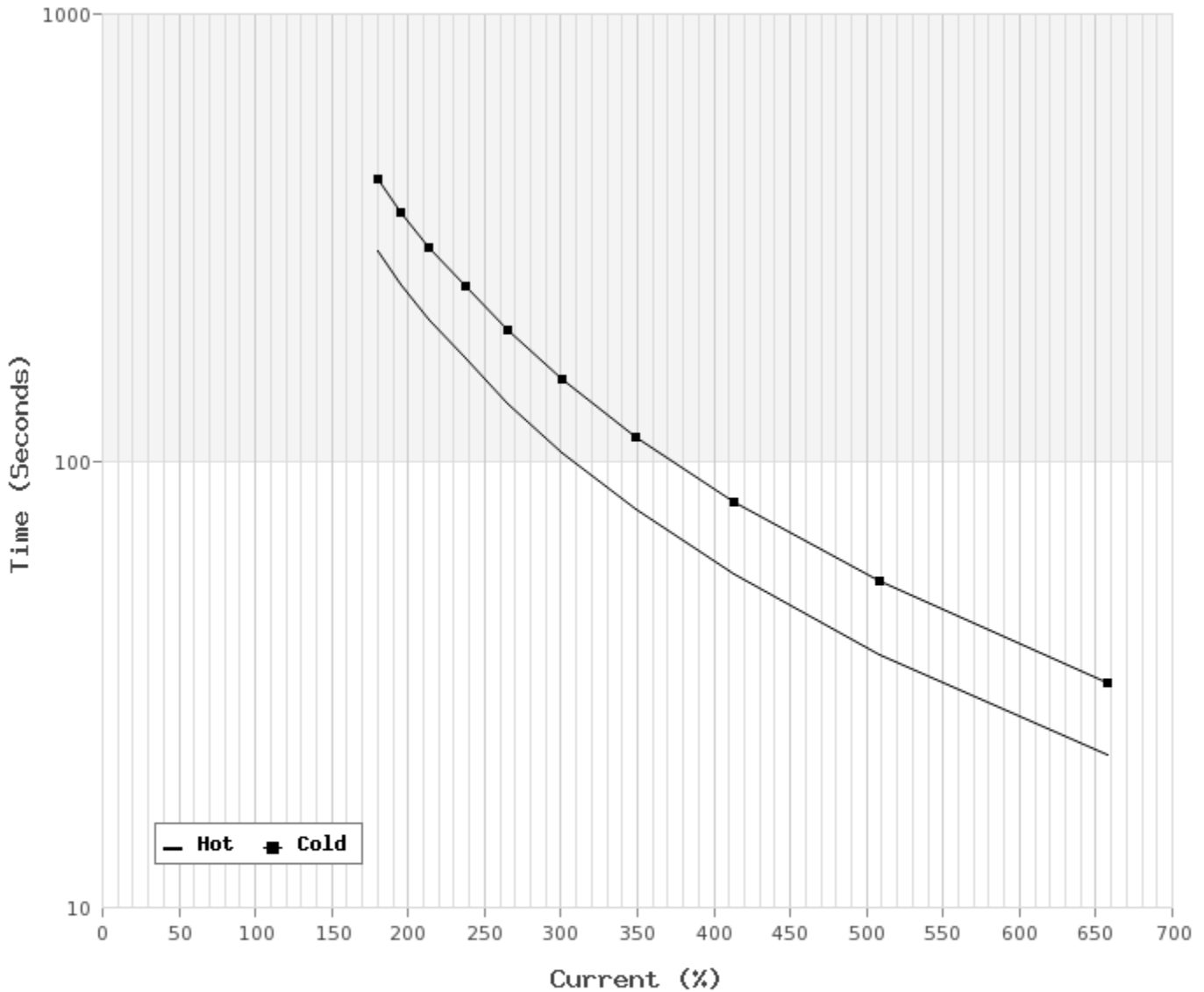


3 LEAD SINGLE VOLTAGE DELTA					
VOLTAGE	CONN.	L1	L2	L3	
-	DELTA	1	2	3	

WD\_3D

**Thermal Limit Curves**

Motor Type: AEHH8N		Catalogue No: PDH02525		Family: Optim TEFC	
HP	25	Safe Stall Time		Full Load A	0.0 / 22.3 A
Voltage	0 / 575V 60Hz	Hot	22 s	Locked Rotor A	656 %
RPM	3600	Cold	32 s	Locked Rotor A	0.0 / 146 A



**T-N and I-N Curves**

Motor Type: AEHH8N		Catalogue No: PDH02525		Family: Optim TEFC	
HP	25	Full Load T	37.03 lb-ft	Full Load A	22.3 A
Voltage	575V 60Hz	Locked Rotor T	175 %	Locked Rotor A	146.0 A
RPM	3600	Pull Up T	135 %	Break Down T	250 %

