

Technical Documentation

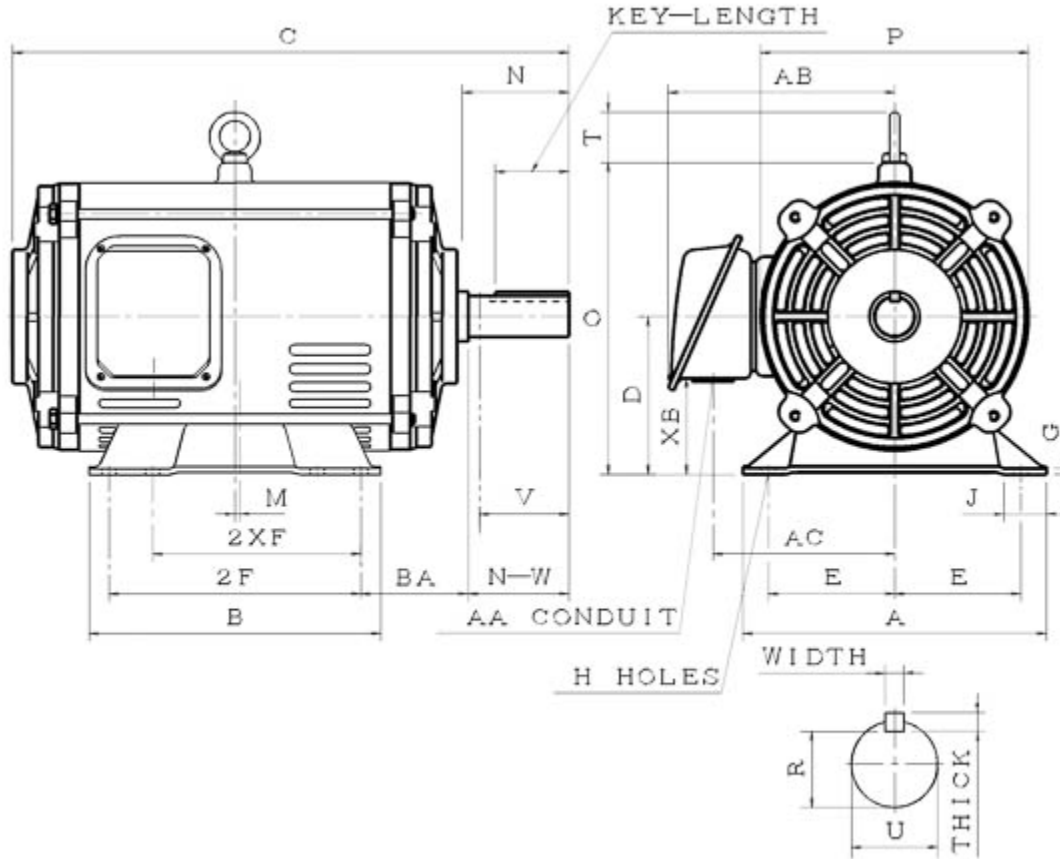
RD0154

Rolled Steel ODP | ASGH

Date: December 1, 2016

Dimensional Drawing

| | | | | | | | | |
|-----------|-------|----|------|----|------------|-------------|----|------|
| Catalogue | Model | HP | Pole | kW | Rating | Voltage | Hz | RPM |
| RD0154 | ASGH | 15 | 4 | 11 | Continuous | 230 / 460 V | 60 | 1800 |



ASGH-SMP-5

| Frame Size | Mounting | | | | | A | B | C | CD | D | |
|------------------|----------|-----|----------|----------|--------------------|-------------|------------|-------|------------------------------|------------|---------|
| | E | 2F | 2F2 | H | BA | | | | | | |
| 254T | 10 | | 8.25 | 0.53 | 4.25 | 12.05 | 11.57 | 22.48 | | 6.25 | |
| G | J | K | L | M | O | P | T | Key | | | Keyseat |
| 0.24 | 1.65 | | | 0.197 | 12.55 | 10.79 | 2 | Width | Thick | Length | R |
| | | | | | | | | 0.375 | 0.375 | 2.91 | 1.416 |
| Terminal Housing | | | | Aux Box | | C/D Flange | | | | | |
| AA | AB | AC | XB | AE | AX | BB | AH | AK | BD | AJ | BF |
| 1.38 | 8.99 | 7.2 | 3.81 | | | | | | | | |
| Shaft Extension | | | Bearings | | Approx. Weight Lbs | SPL dBA/3ft | Ins. Class | S.F. | Drive Method | Dimensions | |
| N-W | U | V | DE | NDE | | | | | | | |
| 4 | 1.625 | 3.9 | 6309ZZC3 | 6208ZZC3 | 213 | 60 | F | 1.15 | Direct Coupling / Belt Drive | Inches | |

Technical Data Sheet

Motor Type: ASGH

Catalogue No: RD0154

Nameplate Information

| | | | | | | |
|-----------|------------|----------------|-------------|-------------|--------------|----------------|
| HP | Pole | RPM | Frame | Voltage | Hz | Phase |
| 15 | 4 | 1770 | 254T | 230 / 460 | 60 | 3 |
| Enclosure | Ins. Class | Service Factor | Time Rating | NEMA Design | Rated Amb. | Rated Altitude |
| ODP | F | 1.15 | Continuous | B | -40 to 40 °C | <3300 ft |

Typical Performance

| Efficiency (%) | | | | Power Factor (%) | | |
|-------------------|-----------------------------|---------------------------------|--------------------------------------|---------------------|-------------|--------------------------------|
| Full Load | | 3/4 Load | 1/2 Load | Full Load | 3/4 Load | 1/2 Load |
| Nom. | Min. | | | | | |
| 93.0 | 91.7 | 93.0 | 93.0 | 83.0 | 79.5 | 70.0 |
| Torque | | | | Current (A) | | |
| Full Load (lb-ft) | Locked Rotor (% FLT) | Pull Up (% FLT) | Break Down (% FLT) | No Load | Full Load | Locked Rotor |
| 44.50 | 160 | 120 | 240 | 13.0 / 6.5 | 36.4 / 18.2 | 232 / 15 |
| NEMA KVA Code | Inertia (WR ²) | | | Safe Stall Time (s) | | Noise Level Sound Press. dB(A) |
| | Rotor (lb-ft ²) | NEMA Load (lb-ft ²) | Max. Allowable (lb-ft ²) | Cold | Hot | |
| G | 1.862 | 75 | 152 | 17 | 12 | 60 |

VFD Duty Information

| Speed Range | | | VFD | | S.F. |
|-----------------|-----------------|----------------|---------|--------------|----------|
| Constant Torque | Variable Torque | Constant Power | Carrier | Type | |
| 6-60Hz | 3-60Hz | 60-120Hz | ≤ 5 kHz | VPWM or CPWM | 1.0 Only |

Additional Information

| Bearings | | Approx. Weight |
|----------|----------|----------------|
| DE | NDE | lbs |
| 6309ZZC3 | 6208ZZC3 | 213 |

Hazardous Locations Information

| | |
|----------------------------|---|
| N/A | |
| Temp Code (Sinewave / VFD) | / |

Connection Diagram

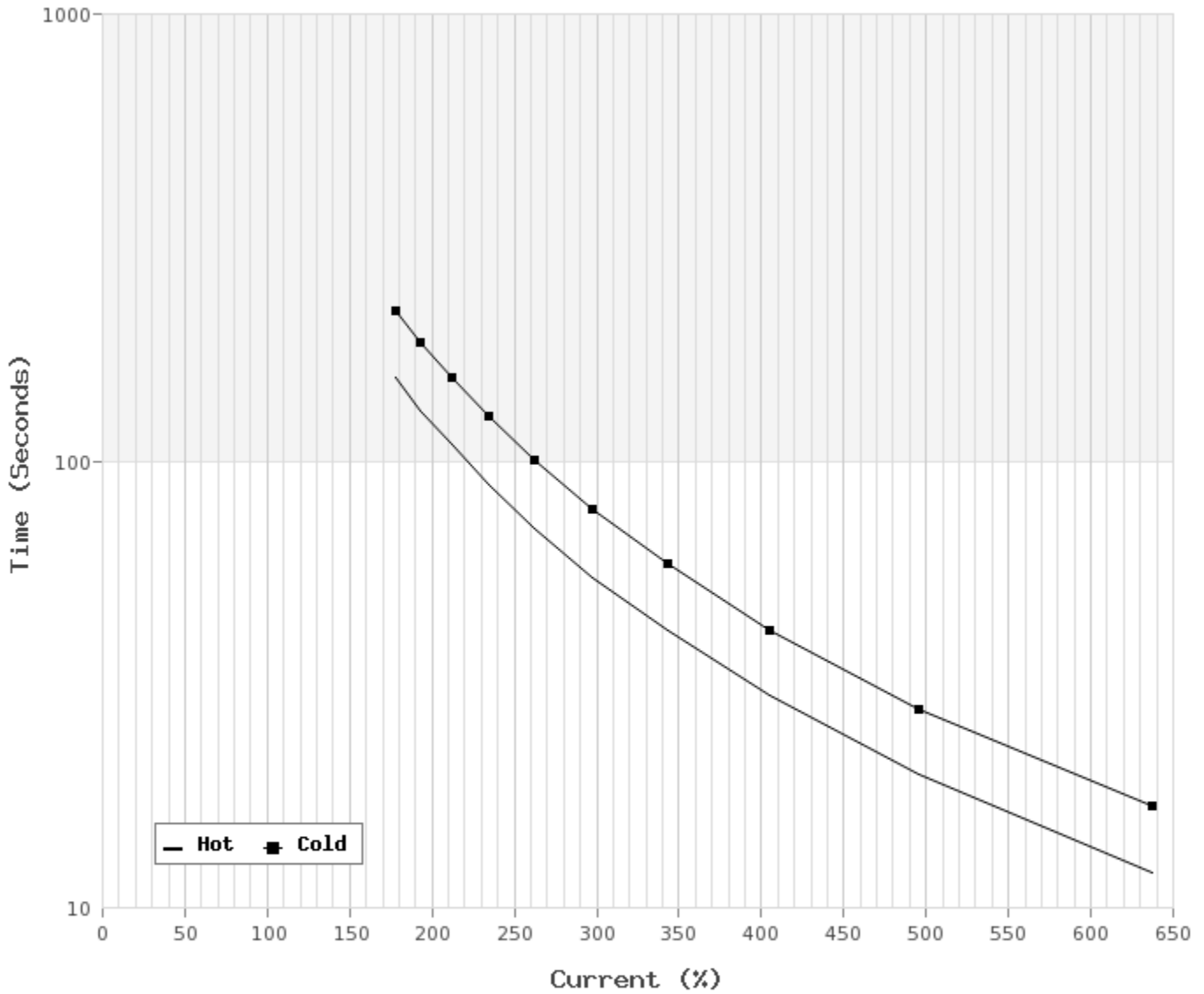


| 12 LEAD DUAL VOLTAGE WYE/DELTA | | | | | | |
|--------------------------------|------------|---------|-------------|-------------|-------------|-------------------------|
| VOLTAGE | CONNECTION | | L1 | L2 | L3 | JOIN |
| HIGH | START | WYE | 1 | 2 | 3 | 4&7,5&8,6&9 10&11&12 |
| | RUN | DELTA | 1,12 | 2,10 | 3,11 | 4&7,5&8,6&9 |
| LOW | START | 2 WYE | 1,7 | 2,8 | 3,9 | 4&5&6 10&11&12 |
| | RUN | 2 DELTA | 1,6,7 12 | 2,4,8 10 | 3,5,9 11 | |

WD_12YD

Thermal Limit Curves

| | | | | | |
|------------------|-----------------|----------------------|------|--------------------------|---------------|
| Motor Type: ASGH | | Catalogue No: RD0154 | | Family: Rolled Steel ODP | |
| HP | 15 | Safe Stall Time | | Full Load A | 36.4 / 18.2 A |
| Voltage | 230 / 460V 60Hz | Hot | 12 s | Locked Rotor A | 638 / 82 % |
| RPM | 1800 | Cold | 17 s | Locked Rotor A | 232.0 / 15 A |



T-N and I-N Curves

| | | | | | |
|------------------|-----------------|----------------------|-------------|--------------------------|----------------|
| Motor Type: ASGH | | Catalogue No: RD0154 | | Family: Rolled Steel ODP | |
| HP | 15 | Full Load T | 44.50 lb-ft | Full Load A | 36.4 / 18.2 A |
| Voltage | 230 / 460V 60Hz | Locked Rotor T | 160 % | Locked Rotor A | 232.0 / 15.0 A |
| RPM | 1800 | Pull Up T | 120 % | Break Down T | 240 % |

