

Technical Documentation

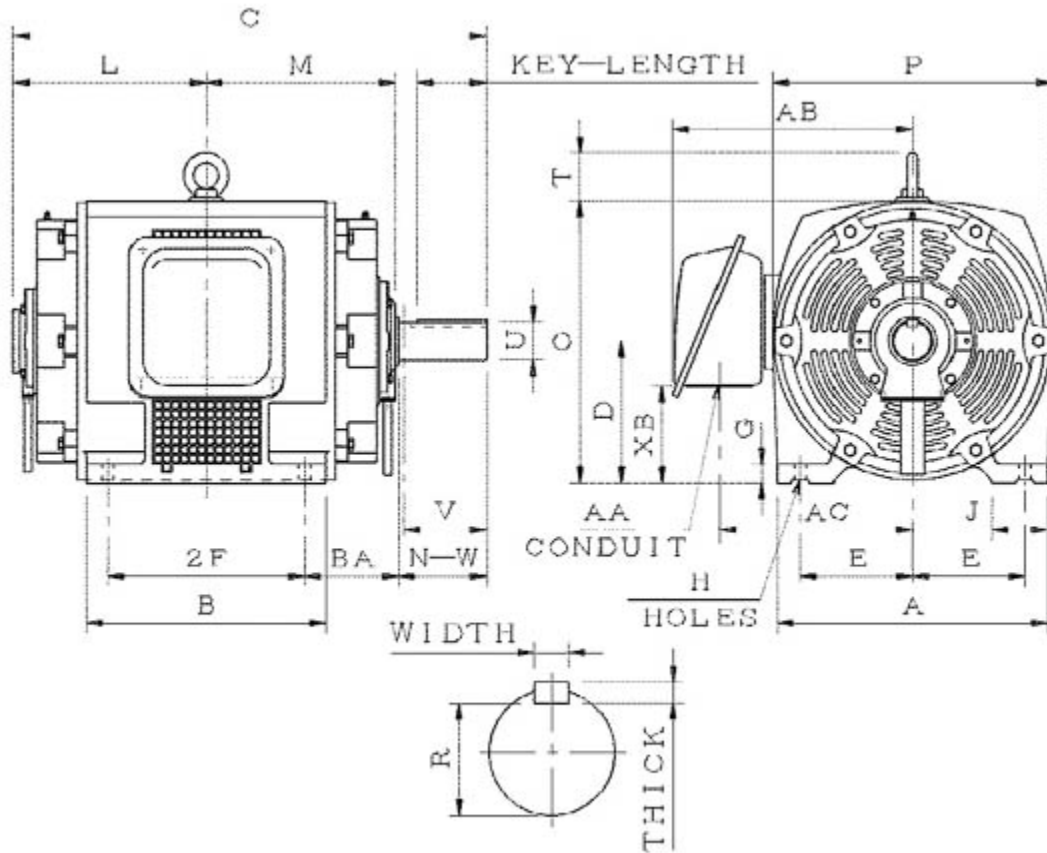
# **SDP0406**

## **Optim ODP | ASHH**

Date: December 1, 2016

**Dimensional Drawing**

Catalogue	Model	HP	Pole	kW	Rating	Voltage	Hz	RPM
SDP0406	ASHH	40	6	30	Continuous	230 / 460 V	60	1200



ASHH-SMP-4

Frame Size	Mounting					A	B	C	CD	D	
	E	2F	2F2	H	BA						
364T	7	11.25		0.66	5.88	16.93	14	28.97		9	
G	J	K	L	M	O	P	T	Key			Keyseat
1.3	3.55		11.58	11.29	17.95	17.5	2.8	Width	Thick	Length	R
								0.625	0.625	4.28	2.021
Terminal Housing				Aux Box		C/D Flange					
AA	AB	AC	XB	AE	AX	BB	AH	AK	BD	AJ	BF
3.62	14.9	12.09	6.17								
Shaft Extension			Bearings		Approx. Weight Lbs	SPL dBA/3ft	Ins. Class	S.F.	Drive Method	Dimensions	
N-W	U	V	DE	NDE							
5.88	2.375	5.75	6314	6213	699	64	F	1.15	Direct Coupling / Belt Drive	Inches	

### Technical Data Sheet

Motor Type: ASHH

Catalogue No: SDP0406

#### Nameplate Information

HP	Pole	RPM	Frame	Voltage	Hz	Phase
40	6	1180	364T	230 / 460	60	3
Enclosure	Ins. Class	Service Factor	Time Rating	NEMA Design	Rated Amb.	Rated Altitude
ODP	F	1.15	Continuous	C	-40 to 40 °C	<3300 ft

#### Typical Performance

Efficiency (%)				Power Factor (%)		
Full Load		3/4 Load	1/2 Load	Full Load	3/4 Load	1/2 Load
Nom.	Min.					
94.1	93.0	94.5	94.1	87.0	84.0	77.0
Torque				Current (A)		
Full Load (lb-ft)	Locked Rotor (% FLT)	Pull Up (% FLT)	Break Down (% FLT)	No Load	Full Load	Locked Rotor
177.98	215	175	235	29.8 / 14.9	91.5 / 45.8	580 / 290
NEMA KVA Code	Inertia (WR <sup>2</sup> )			Safe Stall Time (s)		Noise Level Sound Press. dB(A)
	Rotor (lb-ft <sup>2</sup> )	NEMA Load (lb-ft <sup>2</sup> )	Max. Allowable (lb-ft <sup>2</sup> )	Cold	Hot	
G	16.557	503	942	26	18	64

#### VFD Duty Information

Speed Range			VFD		S.F.
Constant Torque	Variable Torque	Constant Power	Carrier	Type	
6-60Hz	3-60Hz	60-120Hz	≤ 5 kHz	VPWM or CPWM	1.0 Only

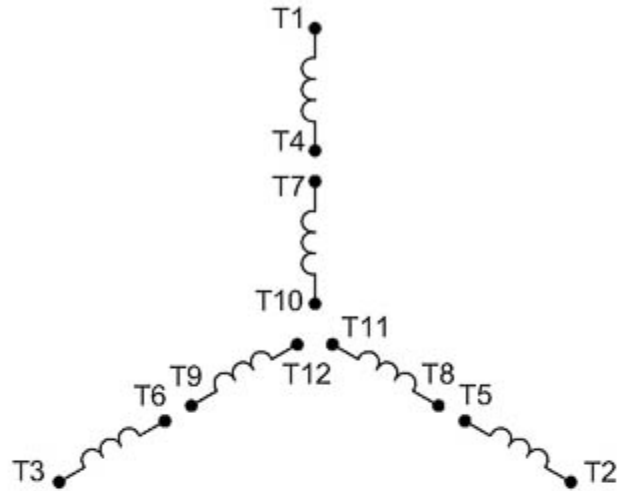
#### Additional Information

Bearings		Approx. Weight
DE	NDE	lbs
6314	6213	699

#### Hazardous Locations Information

N/A	
Temp Code (Sinewave / VFD)	/

**Connection Diagram**

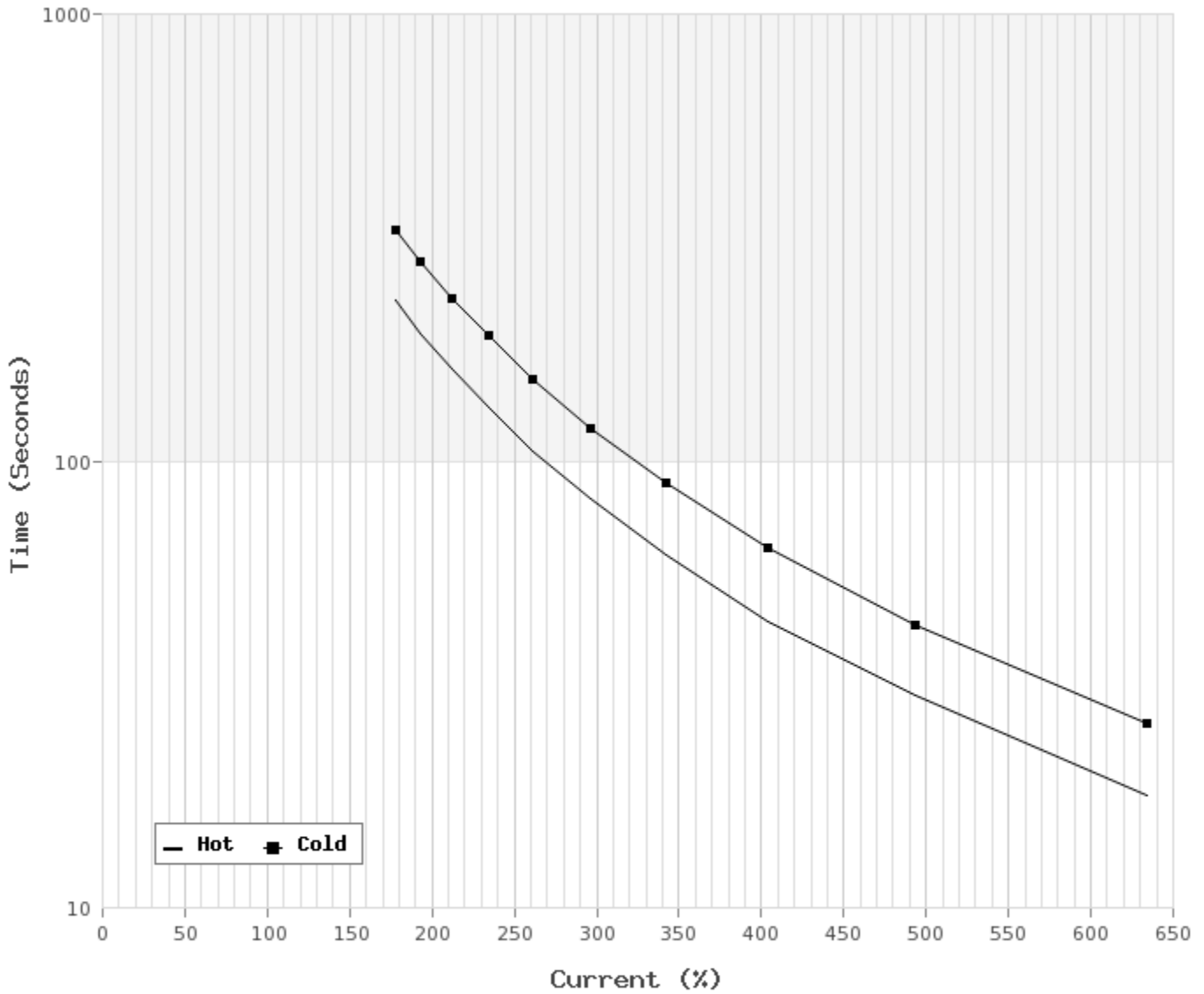


12 LEAD DUAL VOLTAGE WYE/DELTA						
VOLTAGE	CONNECTION		L1	L2	L3	JOIN
HIGH	START	WYE	1	2	3	4&7,5&8,6&9 10&11&12
	RUN	DELTA	1,12	2,10	3,11	4&7,5&8,6&9
LOW	START	2 WYE	1,7	2,8	3,9	4&5&6 10&11&12
	RUN	2 DELTA	1,6,7 12	2,4,8 10	3,5,9 11	

WD\_12YD

### Thermal Limit Curves

Motor Type: ASHH		Catalogue No: SDP0406		Family: Optim ODP	
HP	40	Safe Stall Time		Full Load A	91.5 / 45.8 A
Voltage	230 / 460V 60Hz	Hot	18 s	Locked Rotor A	634 / 634 %
RPM	1200	Cold	26 s	Locked Rotor A	580.0 / 290 A



**T-N and I-N Curves**

Motor Type: ASHH		Catalogue No: SDP0406		Family: Optim ODP	
HP	40	Full Load T	177.98 lb-ft	Full Load A	91.5 / 45.8 A
Voltage	230 / 460V 60Hz	Locked Rotor T	215 %	Locked Rotor A	580.0 / 290.0 A
RPM	1200	Pull Up T	175 %	Break Down T	235 %

