

Technical Documentation

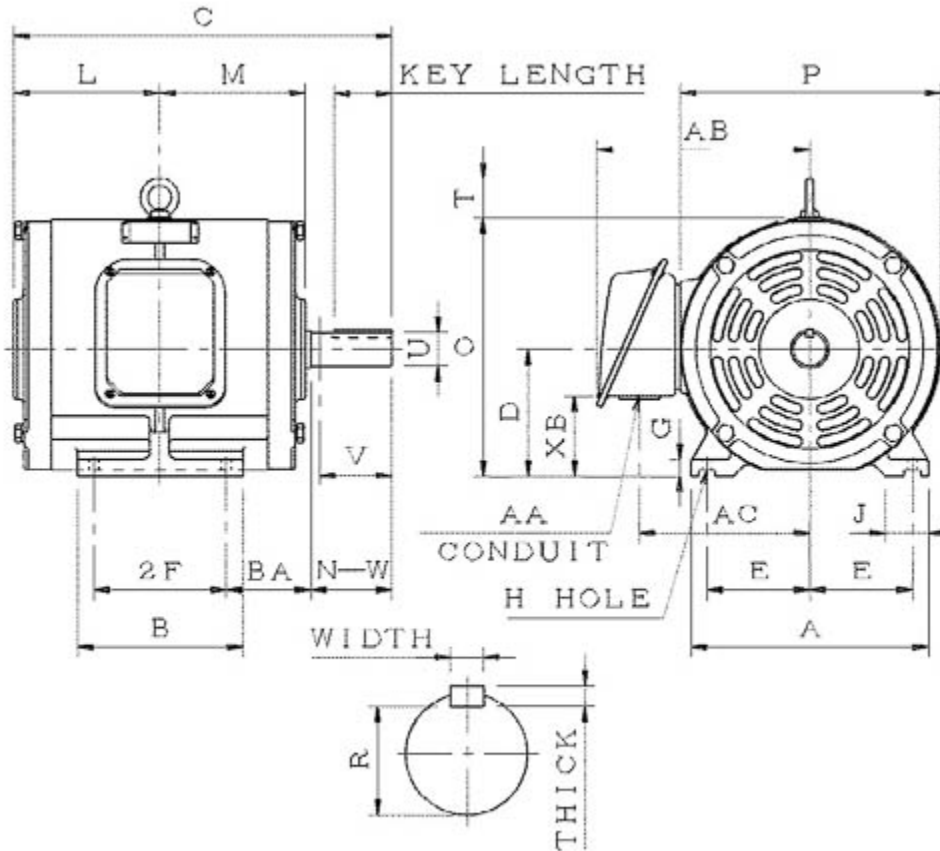
# **SDP0102**

## **Optim ODP | ASHH**

Date: December 1, 2016

**Dimensional Drawing**

Catalogue	Model	HP	Pole	kW	Rating	Voltage	Hz	RPM
SDP0102	ASHH	10	2	7.5	Continuous	230 / 460 V	60	3600



ASHH-SMP-2

Frame Size	Mounting					A	B	C	CD	D	
	E	2F	2F2	H	BA						
213T	4.25	5.5		0.41	3.5	9.85	6.9	15.68		5.25	
G	J	K	L	M	O	P	T	Key			Keyseat
0.7	1.75		6.05	6.05	10.7	10.75	1.65	Width	Thick	Length	R
								0.312	0.312	2.41	1.201
Terminal Housing				Aux Box		C/D Flange					
AA	AB	AC	XB	AE	AX	BB	AH	AK	BD	AJ	BF
1.38	8.8	7.1	3.35								
Shaft Extension			Bearings		Approx. Weight Lbs	SPL dBA/3ft	Ins. Class	S.F.	Drive Method	Dimensions	
N-W	U	V	DE	NDE							
3.38	1.375	3.3	6308ZZ	6306ZZ	159	65	F	1.15	Direct Coupling / Belt Drive	Inches	

### Technical Data Sheet

Motor Type: ASHH

Catalogue No: SDP0102

#### Nameplate Information

HP	Pole	RPM	Frame	Voltage	Hz	Phase
10	2	3510	213T	230 / 460	60	3
Enclosure	Ins. Class	Service Factor	Time Rating	NEMA Design	Rated Amb.	Rated Altitude
ODP	F	1.15	Continuous	B	-40 to 40 °C	<3300 ft

#### Typical Performance

Efficiency (%)				Power Factor (%)		
Full Load		3/4 Load	1/2 Load	Full Load	3/4 Load	1/2 Load
Nom.	Min.					
90.2	88.5	91.0	91.0	88.0	85.5	78.5
Torque				Current (A)		
Full Load (lb-ft)	Locked Rotor (% FLT)	Pull Up (% FLT)	Break Down (% FLT)	No Load	Full Load	Locked Rotor
14.96	200	180	270	7.1 / 3.6	23.6 / 11.8	162 / 81
NEMA KVA Code	Inertia (WR <sup>2</sup> )			Safe Stall Time (s)		Noise Level Sound Press. dB(A)
	Rotor (lb-ft <sup>2</sup> )	NEMA Load (lb-ft <sup>2</sup> )	Max. Allowable (lb-ft <sup>2</sup> )	Cold	Hot	
H	0.412	11	15	17	12	65

#### VFD Duty Information

Speed Range			VFD		S.F.
Constant Torque	Variable Torque	Constant Power	Carrier	Type	
6-60Hz	3-60Hz	60-120Hz	≤ 5 kHz	VPWM or CPWM	1.0 Only

#### Additional Information

Bearings		Approx. Weight
DE	NDE	lbs
6308ZZ	6306ZZ	159

#### Hazardous Locations Information

N/A	
Temp Code (Sinewave / VFD)	/

**Connection Diagram**

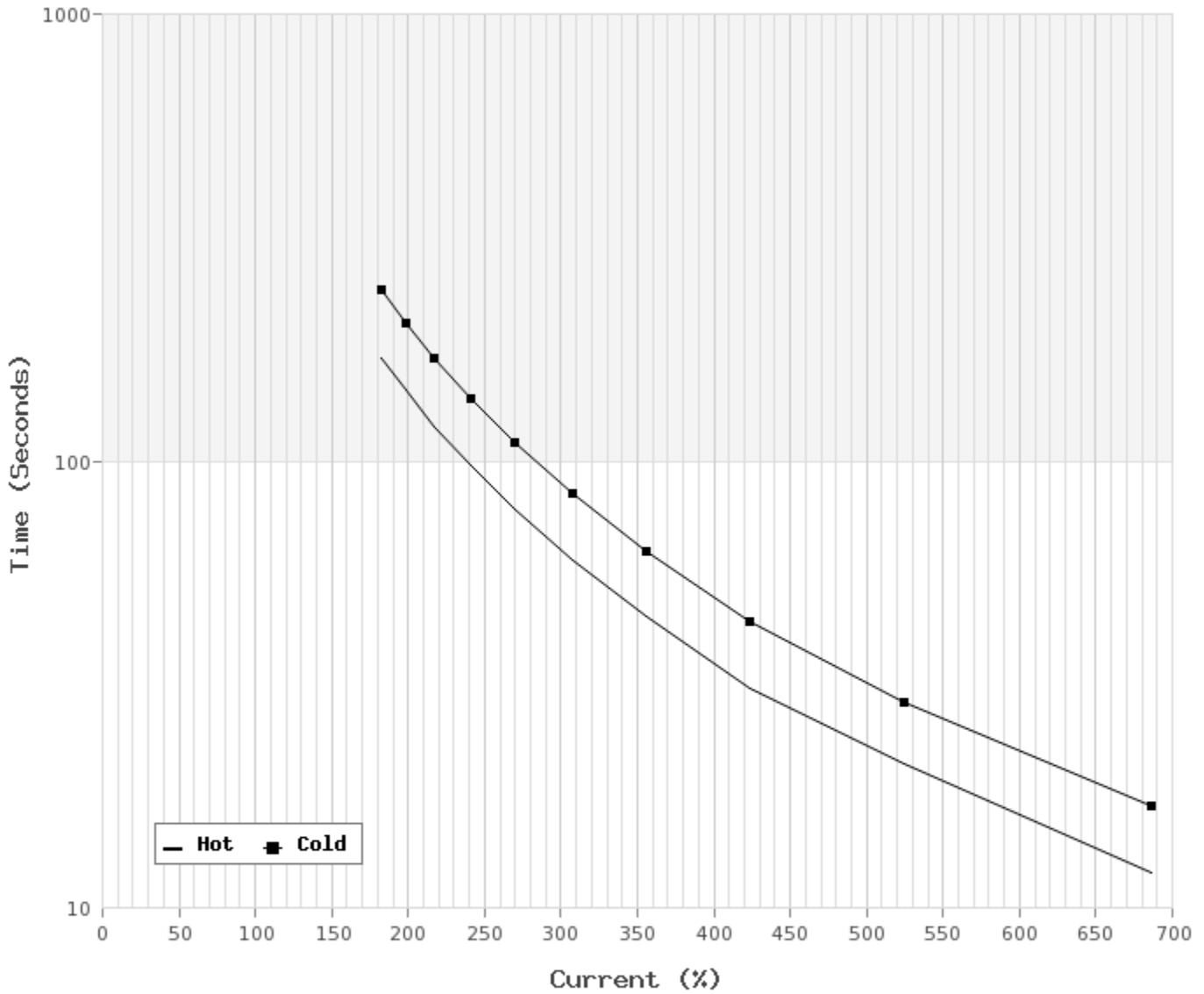


12 LEAD DUAL VOLTAGE WYE/DELTA						
VOLTAGE	CONNECTION		L1	L2	L3	JOIN
HIGH	START	WYE	1	2	3	4&7,5&8,6&9 10&11&12
	RUN	DELTA	1,12	2,10	3,11	4&7,5&8,6&9
LOW	START	2 WYE	1,7	2,8	3,9	4&5&6 10&11&12
	RUN	2 DELTA	1,6,7 12	2,4,8 10	3,5,9 11	

WD\_12YD

**Thermal Limit Curves**

Motor Type: ASHH		Catalogue No: SDP0102		Family: Optim ODP	
HP	10	Safe Stall Time		Full Load A	23.6 / 11.8 A
Voltage	230 / 460V 60Hz	Hot	12 s	Locked Rotor A	686 / 686 %
RPM	3600	Cold	17 s	Locked Rotor A	162.0 / 81 A



**T-N and I-N Curves**

Motor Type: ASHH		Catalogue No: SDP0102		Family: Optim ODP	
HP	10	Full Load T	14.96 lb-ft	Full Load A	23.6 / 11.8 A
Voltage	230 / 460V 60Hz	Locked Rotor T	200 %	Locked Rotor A	162.0 / 81.0 A
RPM	3600	Pull Up T	180 %	Break Down T	270 %

