

Technical Documentation

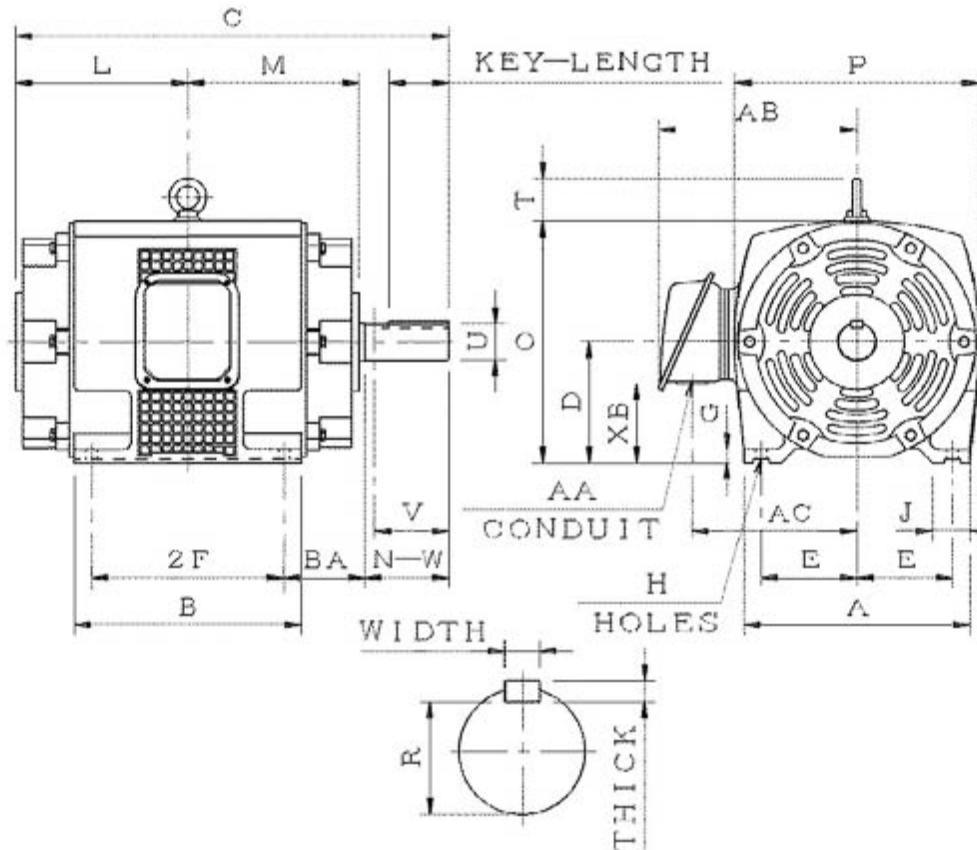
SDP0204

Optim ODP | ASHH

Date: December 1, 2016

Dimensional Drawing

Catalogue	Model	HP	Pole	kW	Rating	Voltage	Hz	RPM
SDP0204	ASHH	20	4	15	Continuous	230 / 460 V	60	1800



ASHH-SMP-3

Frame Size	Mounting					A	B	C	CD	D	
	E	2F	2F2	H	BA						
256T	5	10		0.53	4.25	11.8	11.8	22.19		6.25	
G	J	K	L	M	O	P	T	Key			Keyseat
0.65	1.95		8.95	8.95	12.7	12.7	2	Width	Thick	Length	R
								0.375	0.375	2.91	1.416
Terminal Housing				Aux Box		C/D Flange					
AA	AB	AC	XB	AE	AX	BB	AH	AK	BD	Aj	BF
1.38	10.28	8.58	4.2								
Shaft Extension			Bearings		Approx. Weight Lbs	SPL dBA/3ft	Ins. Class	S.F.	Drive Method	Dimensions	
N-W	U	V	DE	NDE							
4	1.625	3.9	6310ZZ	6309ZZ	287	64	F	1.15	Direct Coupling / Belt Drive	Inches	

Technical Data Sheet

Motor Type: ASHH

Catalogue No: SDP0204

Nameplate Information

HP	Pole	RPM	Frame	Voltage	Hz	Phase
20	4	1770	256T	230 / 460	60	3
Enclosure	Ins. Class	Service Factor	Time Rating	NEMA Design	Rated Amb.	Rated Altitude
ODP	F	1.15	Continuous	B	-40 to 40 °C	<3300 ft

Typical Performance

Efficiency (%)				Power Factor (%)		
Full Load		3/4 Load	1/2 Load	Full Load	3/4 Load	1/2 Load
Nom.	Min.					
93.0	91.7	93.0	93.0	86.5	84.0	76.5
Torque				Current (A)		
Full Load (lb-ft)	Locked Rotor (% FLT)	Pull Up (% FLT)	Break Down (% FLT)	No Load	Full Load	Locked Rotor
59.33	175	130	245	16.5 / 8.3	46.6 / 23.3	290 / 145
NEMA KVA Code	Inertia (WR ²)			Safe Stall Time (s)		Noise Level Sound Press. dB(A)
	Rotor (lb-ft ²)	NEMA Load (lb-ft ²)	Max. Allowable (lb-ft ²)	Cold	Hot	
G	2.258	99	161	17	12	64

VFD Duty Information

Speed Range			VFD		S.F.
Constant Torque	Variable Torque	Constant Power	Carrier	Type	
6-60Hz	3-60Hz	60-120Hz	≤ 5 kHz	VPWM or CPWM	1.0 Only

Additional Information

Bearings		Approx. Weight
DE	NDE	lbs
6310ZZ	6309ZZ	287

Hazardous Locations Information

N/A	
Temp Code (Sinewave / VFD)	/

Connection Diagram

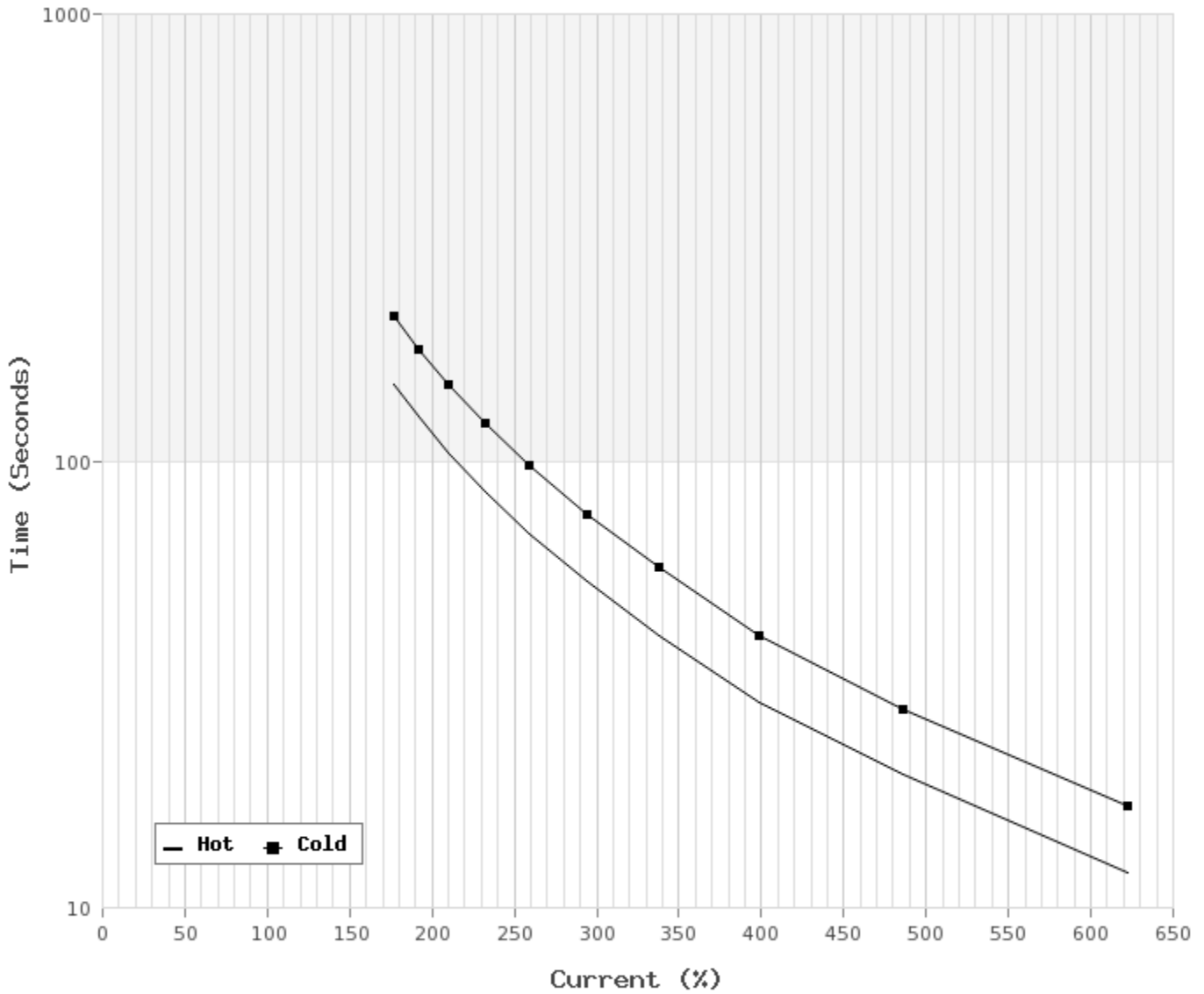


12 LEAD DUAL VOLTAGE WYE/DELTA						
VOLTAGE	CONNECTION		L1	L2	L3	JOIN
HIGH	START	WYE	1	2	3	4&7,5&8,6&9 10&11&12
	RUN	DELTA	1,12	2,10	3,11	4&7,5&8,6&9
LOW	START	2 WYE	1,7	2,8	3,9	4&5&6 10&11&12
	RUN	2 DELTA	1,6,7 12	2,4,8 10	3,5,9 11	

WD_12YD

Thermal Limit Curves

Motor Type: ASHH		Catalogue No: SDP0204		Family: Optim ODP	
HP	20	Safe Stall Time		Full Load A	46.6 / 23.3 A
Voltage	230 / 460V 60Hz	Hot	12 s	Locked Rotor A	623 / 623 %
RPM	1800	Cold	17 s	Locked Rotor A	290.0 / 145 A



T-N and I-N Curves

Motor Type: ASHH		Catalogue No: SDP0204		Family: Optim ODP	
HP	20	Full Load T	59.33 lb-ft	Full Load A	46.6 / 23.3 A
Voltage	230 / 460V 60Hz	Locked Rotor T	175 %	Locked Rotor A	290.0 / 145.0 A
RPM	1800	Pull Up T	130 %	Break Down T	245 %

