

Technical Documentation

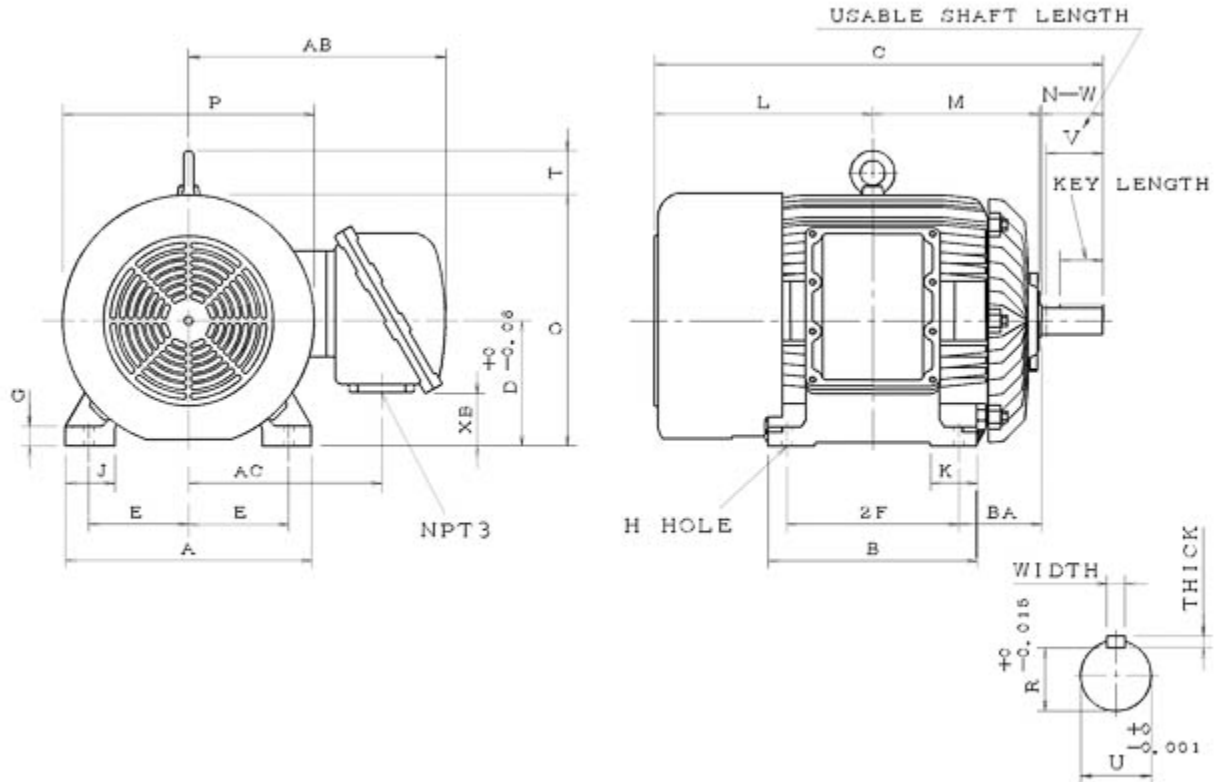
XH15045R

Optim TEXP | AEHHXU

Date: December 1, 2016

Dimensional Drawing

Catalogue	Model	HP	Pole	kW	Rating	Voltage	Hz	RPM
XH15045R	AEHHXU	150	4	112	Continuous	575 V	60	1800



AEHHXU-HMP-2 1 0

Frame Size	Mounting					A	B	C	CD	D	
	E	2F	2F2	H	BA						
445T	9	16.5		0.81	7.5	22.05	19.5	44.05		11	
G	J	K	L	M	O	P	T	Key			Keyseat
1.55	4.35	4.35	19.8	15.45	22.25	23.3	3.55	Width	Thick	Length	R
								0.875	0.875	6.91	2.880
Terminal Housing				Aux Box		C/D Flange					
AA	AB	AC	XB	AE	AX	BB	AH	AK	BD	AJ	BF
NPT3"	21.65	16.6	5.1								
Shaft Extension			Bearings		Approx. Weight Lbs	SPL dBA/3ft	Ins. Class	S.F.	Drive Method	Dimensions	
N-W	U	V	DE	NDE							
8.5	3.375	8	NU318	6318	1780	83.0	F	1.15	Belt Drive	Inches	

Technical Data Sheet

Motor Type: AEHHXU

Catalogue No: XH15045R

Nameplate Information

HP	Pole	RPM	Frame	Voltage	Hz	Phase
150	4	1783	445T	575	60	3
Enclosure	Ins. Class	Service Factor	Time Rating	NEMA Design	Rated Amb.	Rated Altitude
TEXP	F	1.15	Continuous	B	-40 to 40 °C	<3300 ft

Typical Performance

Efficiency (%)				Power Factor (%)		
Full Load		3/4 Load	1/2 Load	Full Load	3/4 Load	1/2 Load
Nom.	Min.					
95.8	95.0	95.4	94.5	89.0	83.0	79.0
Torque				Current (A)		
Full Load (lb-ft)	Locked Rotor (% FLT)	Pull Up (% FLT)	Break Down (% FLT)	No Load	Full Load	Locked Rotor
441.7	120.0	96.0	210.0	37.3	132.0	868
NEMA KVA Code	Inertia (WR ²)			Safe Stall Time (s)		Noise Level Sound Press. dB(A)
	Rotor (lb-ft ²)	NEMA Load (lb-ft ²)	Max. Allowable (lb-ft ²)	Cold	Hot	
G	51.5	640.0	1125.0	34.0	13.0	83.0

VFD Duty Information

Speed Range			VFD		S.F.
Constant Torque	Variable Torque	Constant Power	Carrier	Type	
6-60Hz	3-60Hz	60-90Hz	≤ 5 kHz	VPWM or CPWM	1.0 Only

Additional Information

Bearings		Approx. Weight
DE	NDE	lbs
NU318	6318	1780

Hazardous Locations Information

CSA/UL Certified	
Class I, Div 1, Groups D; Class II, Div 1, Groups E, F & G Class I, Zone 1, Groups IIA; Class II, Div 1, Groups E, F & G	
Temp Code (Sinewave / VFD)	T3B / T3B

Connection Diagram

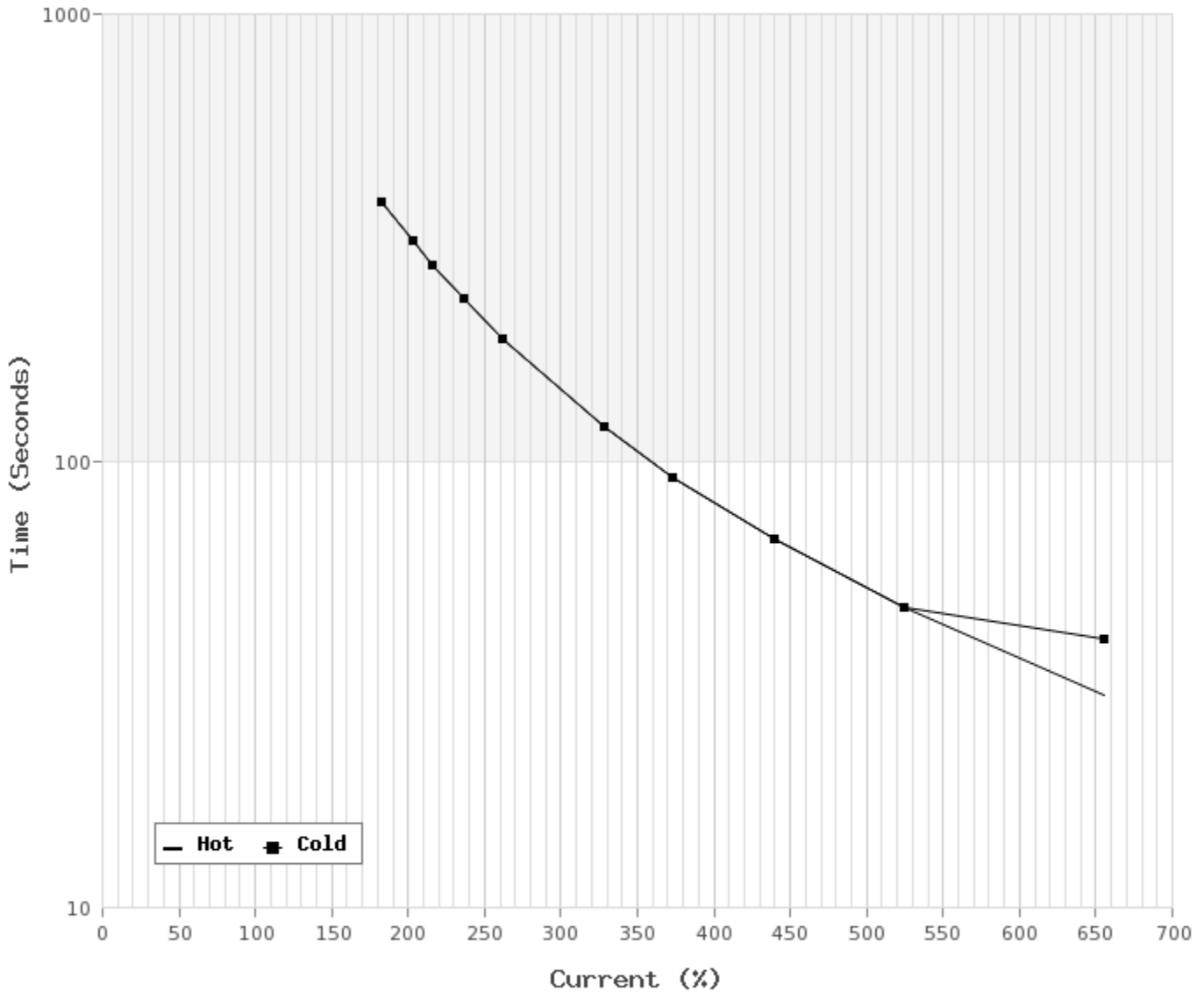


3 LEAD SINGLE VOLTAGE DELTA					
VOLTAGE	CONN.	L1	L2	L3	
-	DELTA	1	2	3	

WD_3D

Thermal Limit Curves

Motor Type: AEHHXU		Catalogue No: XH15045R		Family: Optim TEXP	
HP	150	Safe Stall Time		Full Load A	0.0 / 132.0 A
Voltage	0 / 575V 60Hz	Hot	13.0 s	Locked Rotor A	658 %
RPM	1800	Cold	34.0 s	Locked Rotor A	0.0 / 868 A



T-N and I-N Curves

Motor Type: AEHHXU		Catalogue No: XH15045R		Family: Optim TEXP	
HP	150	Full Load T	441.7 lb-ft	Full Load A	132.0 A
Voltage	575V 60Hz	Locked Rotor T	120.0 %	Locked Rotor A	868.0 A
RPM	1800	Pull Up T	96.0 %	Break Down T	210.0 %

