

Technical Documentation

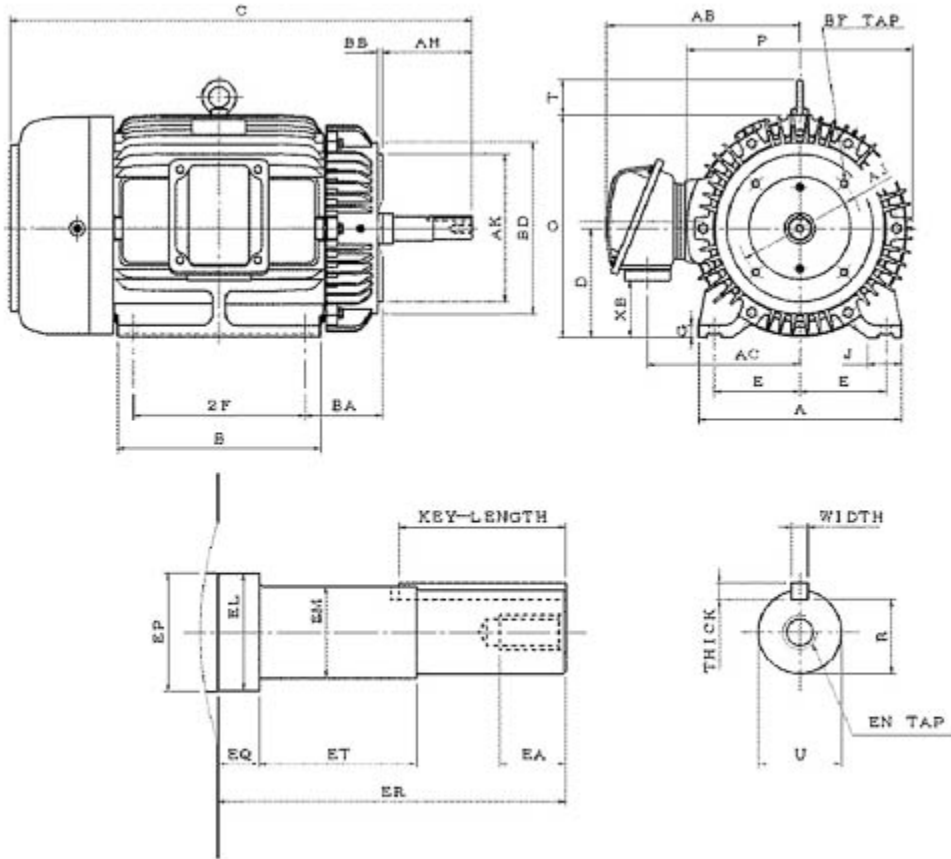
CJM02025

Optim JM | AEHH8N_JM

Date: November 29, 2016

Dimensional Drawing

Catalogue	Model	HP	Pole	kW	Rating	Voltage	Hz	RPM
CJM02025	AEHH8N_JM	20	2	15	Continuous	575 V	60	3600



AEHH8N-JM-SMP-4

Frame Size	Mounting					A	B	C	CD	D	
	E	2F	2F2	H	BA						
256JM	5	10		0.53	4.5	11.82	11.81	27.03		6.25	
G	J	K	L	M	O	P	T	Key			Keyseat
0.66	1.97				12.75	13.15	2.05	Width	Thick	Length	R
								0.25	0.25	2.52	1.112
Terminal Housing			Aux Box			C/D Flange					
AA	AB	AC	XB	AE	AX	BB	AH	AK	BD	AJ	BF
11/4"	11.3	8.86	3.22			0.25	5.25	8.5	9.92	7.25	4-1/2"-13UNC
Shaft Extension			Bearings		Approx. Weight Lbs	SPL dBA/3ft	Ins. Class	S.F.	Drive Method	Dimensions	
N-W	U	V	DE	NDE							
	1.25		6309ZZ	6307ZZ	345	73	F	1.15	DirectCoupling	Inches	

Technical Data Sheet

Motor Type: AEHH8N_JM

Catalogue No: CJM02025

Nameplate Information

HP	Pole	RPM	Frame	Voltage	Hz	Phase
20	2	3520	256JM	575	60	3
Enclosure	Ins. Class	Service Factor	Time Rating	NEMA Design	Rated Amb.	Rated Altitude
TEFC	F	1.15	Continuous	B	-40 to 40 °C	<3300 ft

Typical Performance

Efficiency (%)				Power Factor (%)		
Full Load		3/4 Load	1/2 Load	Full Load	3/4 Load	1/2 Load
Nom.	Min.					
92.4	91.0	93.0	93.6	92.5	91.5	88.0
Torque				Current (A)		
Full Load (lb-ft)	Locked Rotor (% FLT)	Pull Up (% FLT)	Break Down (% FLT)	No Load	Full Load	Locked Rotor
29.83	210	180	260	3.3	17.5	116
NEMA KVA Code	Inertia (WR ²)			Safe Stall Time (s)		Noise Level Sound Press. dB(A)
	Rotor (lb-ft ²)	NEMA Load (lb-ft ²)	Max. Allowable (lb-ft ²)	Cold	Hot	
G	1.407	21	42	17	12	73

VFD Duty Information

Speed Range			VFD		S.F.
Constant Torque	Variable Torque	Constant Power	Carrier	Type	
6-60Hz	3-60Hz	60-90Hz	≤ 5 kHz	VPWM or CPWM	1.0 Only

Additional Information

Bearings		Approx. Weight
DE	NDE	lbs
6309ZZ	6307ZZ	345

Hazardous Locations Information

CSA Certified	
Class I, Div 2, Groups B, C & D	
Class I, Zone 2, Groups IIB+H2, IIB & IIA	
Temp Code (Sinewave / VFD)	T3C / T3B

Connection Diagram

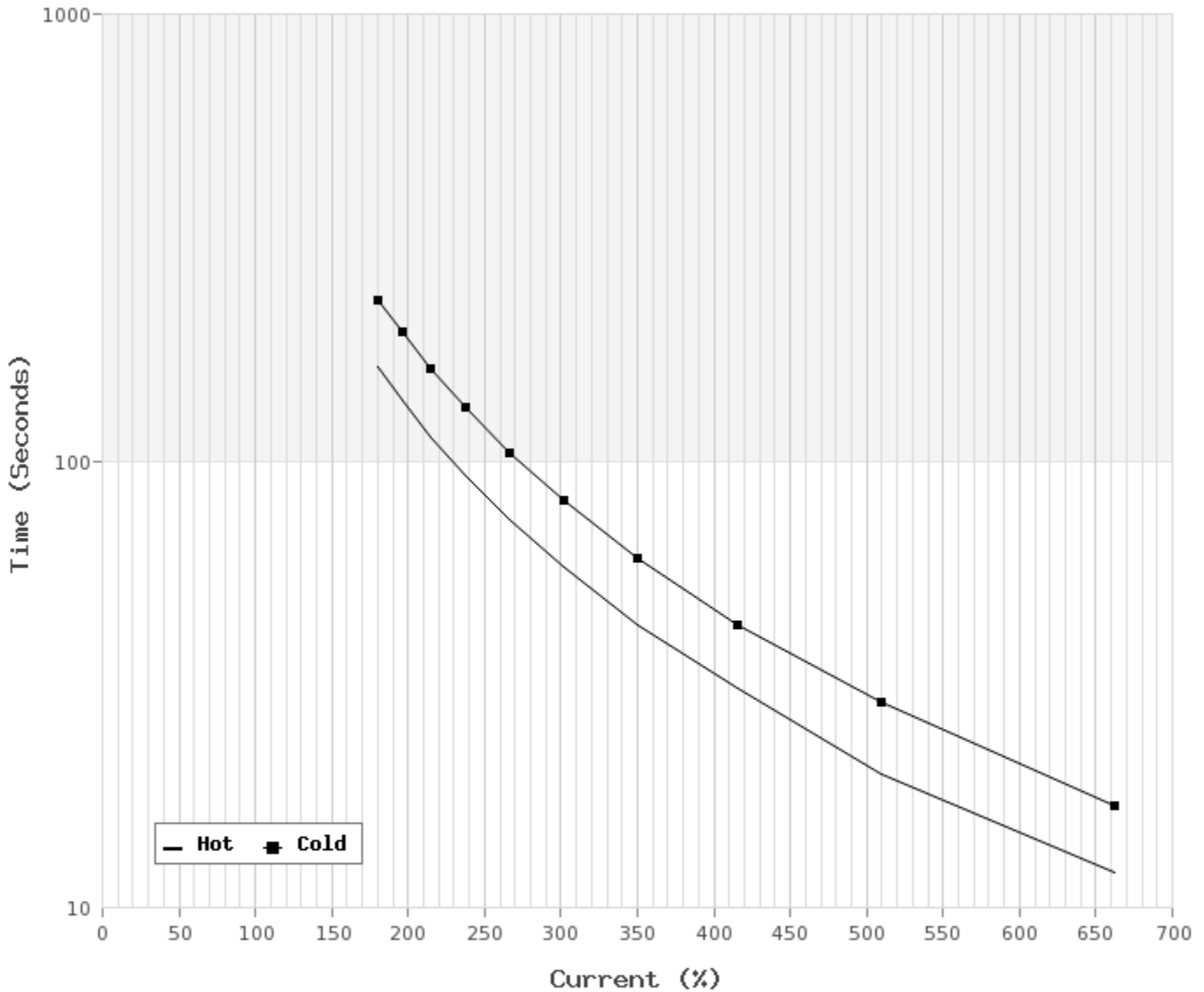


3 LEAD SINGLE VOLTAGE DELTA		L1	L2	L3	
VOLTAGE	CONN.	L1	L2	L3	
-	DELTA	1	2	3	

WD_3D

Thermal Limit Curves

Motor Type: AEHH8N JM		Catalogue No: CJM02025		Family: Optim JM	
HP	20	Safe Stall Time		Full Load A	0.0 / 17.5 A
Voltage	0 / 575V 60Hz	Hot	12 s	Locked Rotor A	662 %
RPM	3600	Cold	17 s	Locked Rotor A	0.0 / 116 A



T-N and I-N Curves

Motor Type: AEHH8N_JM		Catalogue No: CJM02025		Family: Optim JM	
HP	20	Full Load T	29.83 lb-ft	Full Load A	17.5 A
Voltage	575V 60Hz	Locked Rotor T	210 %	Locked Rotor A	116.0 A
RPM	3600	Pull Up T	180 %	Break Down T	260 %

