

Technical Documentation

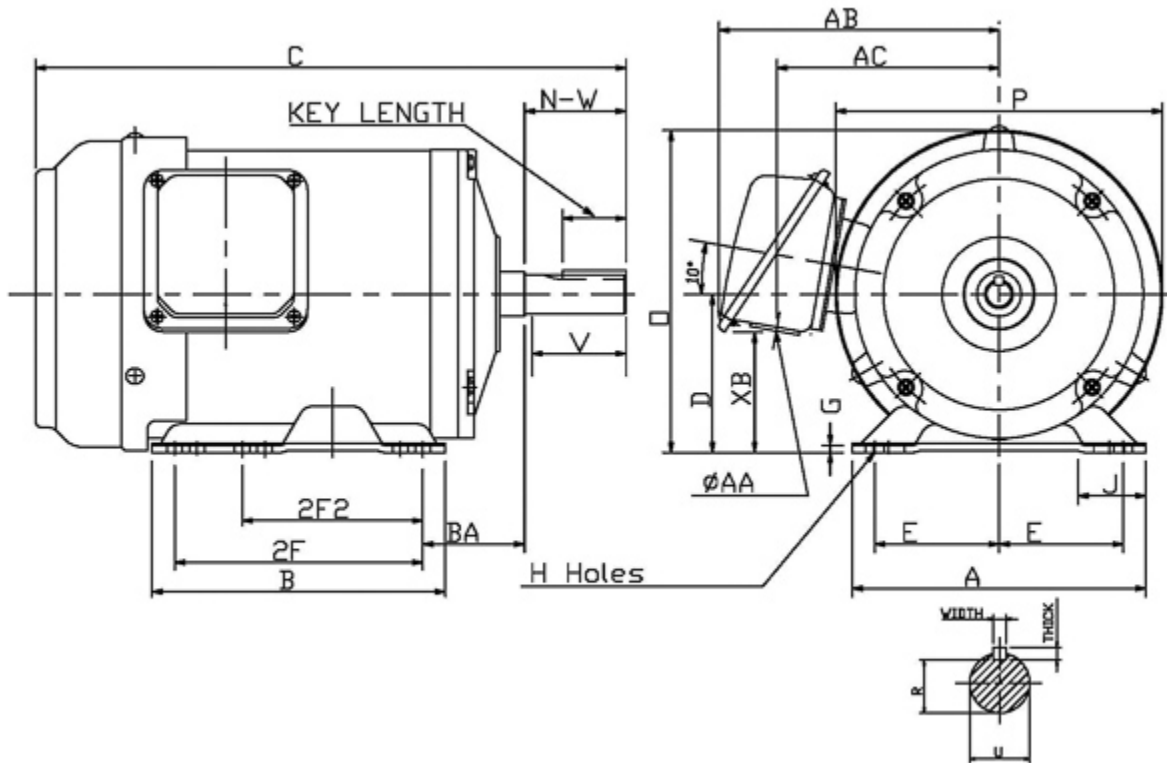
RF00245

Rolled Steel TEFC | AEGH

Date: December 1, 2016

Dimensional Drawing

| Catalogue | Model | HP | Pole | kW | Rating | Voltage | Hz | RPM |
|-----------|-------|----|------|-----|------------|---------|----|------|
| RF00245 | AEGH | 2 | 4 | 1.5 | Continuous | 575 V | 60 | 1800 |



| Frame Size | Mounting | | | | | A | B | C | CD | D | |
|------------------|----------|------|----------|---------|--------------------|-------------|------------|-------|------------------------------|------------|---------|
| | E | 2F | 2F2 | H | BA | | | | | | |
| 145T | 5.5 | 5 | 4 | 0.34 | 2.25 | 6.5 | 6.5 | 14.1 | | 3.5 | |
| G | J | K | L | M | O | P | T | Key | | | Keyseat |
| 0.16 | 1.5 | | | | 7.12 | 7.24 | | Width | Thick | Length | R |
| | | | | | | | | 0.188 | 0.188 | 1.41 | 0.771 |
| Terminal Housing | | | | Aux Box | | C/D Flange | | | | | |
| AA | AB | AC | XB | AE | AX | BB | AH | AK | BD | AJ | BF |
| 1.1 | 6.2 | 4.93 | 2.66 | | | | | | | | |
| Shaft Extension | | | Bearings | | Approx. Weight Lbs | SPL dBA/3ft | Ins. Class | S.F. | Drive Method | Dimensions | |
| N-W | U | V | DE | NDE | | | | | | | |
| 2.25 | 0.875 | 2.2 | 6205ZZ | 6204ZZ | 40 | 60 | F | 1.15 | Direct Coupling / Belt Drive | Inches | |

Technical Data Sheet

Motor Type: AEGH

Catalogue No: RF00245

Nameplate Information

| | | | | | | |
|-----------|------------|----------------|-------------|-------------|--------------|----------------|
| HP | Pole | RPM | Frame | Voltage | Hz | Phase |
| 2 | 4 | 1740 | 145T | 575 | 60 | 3 |
| Enclosure | Ins. Class | Service Factor | Time Rating | NEMA Design | Rated Amb. | Rated Altitude |
| TEFC | F | 1.15 | Continuous | B | -40 to 40 °C | <3300 ft |

Typical Performance

| Efficiency (%) | | | | Power Factor (%) | | |
|-------------------|-----------------------------|---------------------------------|--------------------------------------|---------------------|-----------|--------------------------------|
| Full Load | | 3/4 Load | 1/2 Load | Full Load | 3/4 Load | 1/2 Load |
| Nom. | Min. | | | | | |
| 86.5 | 84.0 | 86.0 | 84.0 | 79.0 | 71.0 | 58.0 |
| Torque | | | | Current (A) | | |
| Full Load (lb-ft) | Locked Rotor (% FLT) | Pull Up (% FLT) | Break Down (% FLT) | No Load | Full Load | Locked Rotor |
| 6.04 | 235 | 165 | 350 | 1.2 | 2.2 | 20 |
| NEMA KVA Code | Inertia (WR ²) | | | Safe Stall Time (s) | | Noise Level Sound Press. dB(A) |
| | Rotor (lb-ft ²) | NEMA Load (lb-ft ²) | Max. Allowable (lb-ft ²) | Cold | Hot | |
| L | 0.143 | 11.0 | 48 | 24 | 17 | 60 |

VFD Duty Information

| Speed Range | | | VFD | | S.F. |
|-----------------|-----------------|----------------|---------|--------------|----------|
| Constant Torque | Variable Torque | Constant Power | Carrier | Type | |
| 6-60Hz | 3-60Hz | 60-120Hz | ≤ 5 kHz | VPWM or CPWM | 1.0 Only |

Additional Information

| Bearings | | Approx. Weight |
|----------|--------|----------------|
| DE | NDE | lbs |
| 6205ZZ | 6204ZZ | 40 |

Hazardous Locations Information

| | |
|----------------------------|-------|
| N/A | |
| 0 | |
| 0 | |
| Temp Code (Sinewave / VFD) | 0 / 0 |

Connection Diagram

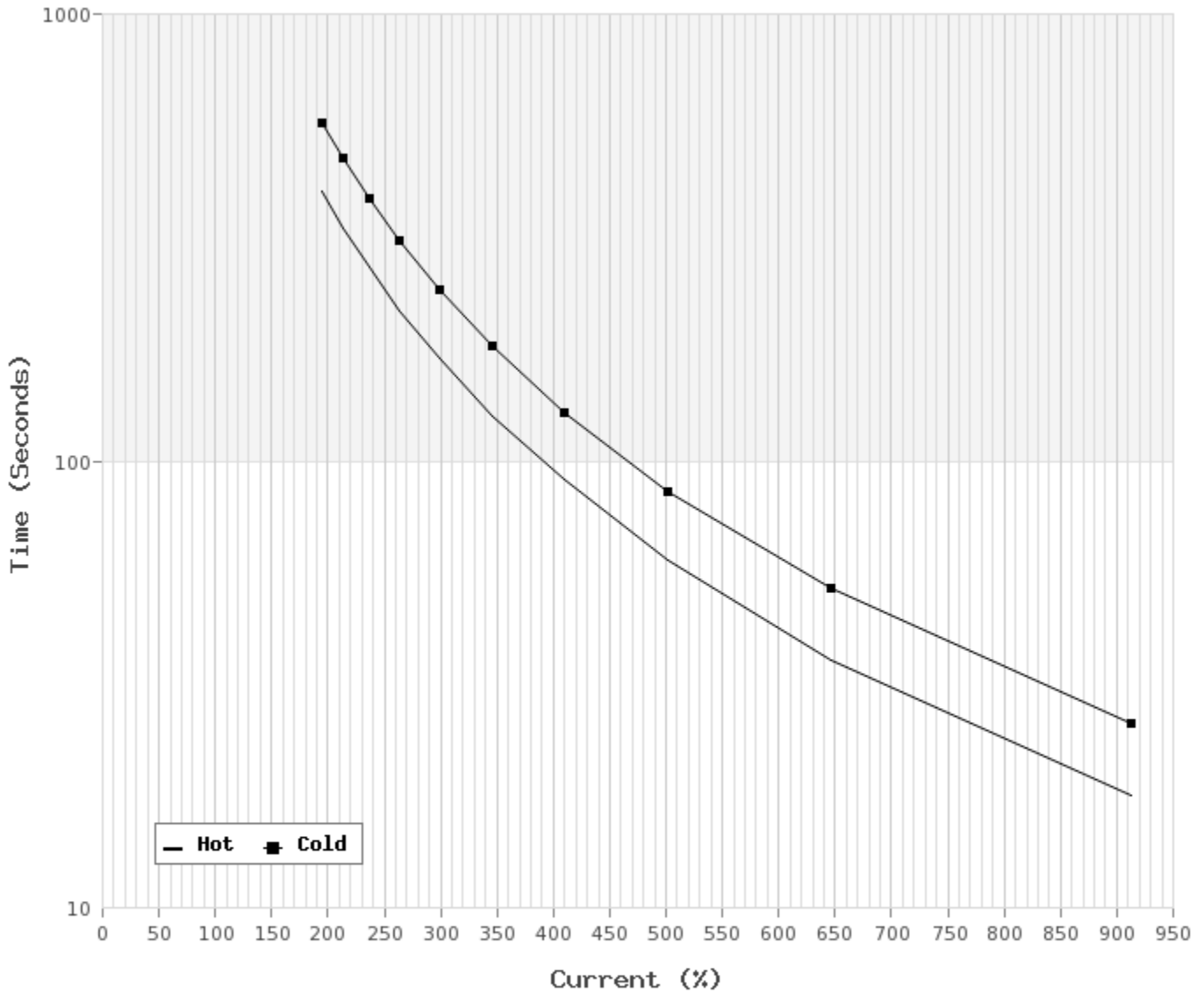


| 3 LEAD | | SINGLE VOLTAGE | | | WYE |
|---------|-------|----------------|----|----|-----|
| VOLTAGE | CONN. | L1 | L2 | L3 | |
| - | WYE | 1 | 2 | 3 | |

WD_3Y

Thermal Limit Curves

| | | | | | |
|------------------|---------------|-----------------------|------|---------------------------|-------------|
| Motor Type: AEGH | | Catalogue No: RF00245 | | Family: Rolled Steel TEFC | |
| HP | 2 | Safe Stall Time | | Full Load A | 0.0 / 2.2 A |
| Voltage | 0 / 575V 60Hz | Hot | 17 s | Locked Rotor A | 913 % |
| RPM | 1800 | Cold | 24 s | Locked Rotor A | 0.0 / 20 A |



T-N and I-N Curves

| | | | | | |
|------------------|-----------|-----------------------|------------|---------------------------|--------|
| Motor Type: AEGH | | Catalogue No: RF00245 | | Family: Rolled Steel TEFC | |
| HP | 2 | Full Load T | 6.04 lb-ft | Full Load A | 2.2 A |
| Voltage | 575V 60Hz | Locked Rotor T | 235 % | Locked Rotor A | 20.0 A |
| RPM | 1800 | Pull Up T | 165 % | Break Down T | 350 % |

