

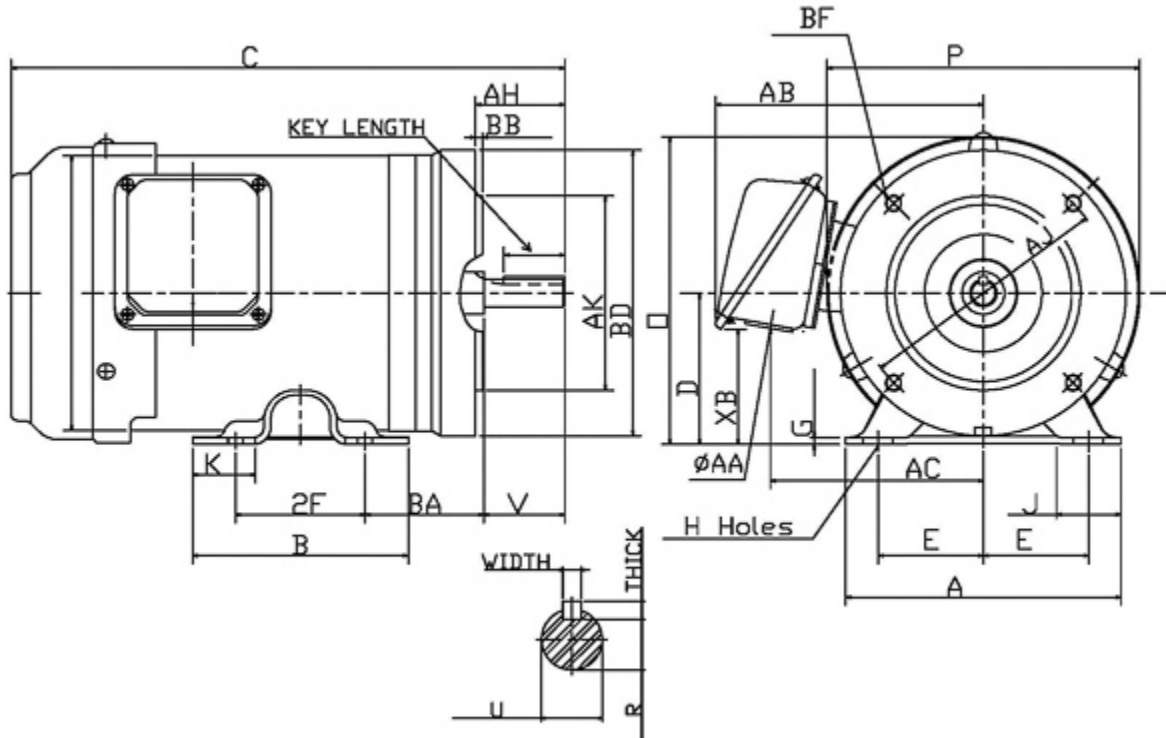
Technical Documentation

RF00145C-56
Rolled Steel TEFC | AEGHPE

Date: July 10, 2017

Dimensional Drawing

| | | | | | | | | |
|-------------|--------|----|------|------|------------|---------|----|------|
| Catalogue | Model | HP | Pole | kW | Rating | Voltage | Hz | RPM |
| RF00145C-56 | AEGHPE | 1 | 4 | 0.75 | Continuous | 575 V | 60 | 1800 |



| Frame Size | Mounting | | | | | A | B | C | CD | D | |
|------------------|----------|------|----------|-----------|--------------------|-------------|------------|-------|------------------------------|------------|---------|
| | E | 2F | 2F2 | H | BA | | | | | | |
| 56C | 2.44 | 3 | | 0.34x0.68 | 2.75 | 6.38 | 5 | 12.86 | | 3.5 | |
| G | J | K | L | M | O | P | T | Key | | | Keyseat |
| | | | | | | | | Width | Thick | Length | R |
| 0.16 | 1.5 | | | | 7.13 | 7.24 | | 0.188 | 0.188 | 1.41 | 0.517 |
| Terminal Housing | | | Aux Box | | | C/D Flange | | | | | |
| AA | AB | AC | XB | AE | AX | BB | AH | AK | BD | AJ | BF |
| 1.1 | 6.22 | 4.97 | 2.69 | | | 0.16 | 2.06 | 4.5 | 6.61 | 5.875 | 3/8-16 |
| Shaft Extension | | | Bearings | | Approx. Weight Lbs | SPL dBA/3ft | Ins. Class | S.F. | Drive Method | Dimensions | |
| N-W | U | V | DE | NDE | | | | | | | |
| 1.875 | 0.625 | 1.88 | 6205ZZ | 6204ZZ | 32 | 54 | F | 1.15 | Direct Coupling / Belt Drive | Inches | |

Technical Data Sheet

Motor Type: AEGHPE

Catalogue No: RF00145C-56

Nameplate Information

| | | | | | | |
|-----------|------------|----------------|-------------|-------------|----------------|----------------|
| HP | Pole | RPM | Frame | Voltage | Hz | Phase |
| 1 | 4 | 1750 | 56C | 575 | 60 | 3 |
| Enclosure | Ins. Class | Service Factor | Time Rating | NEMA Design | Rated Amb. | Rated Altitude |
| TEFC | F | 1.15 | Continuous | B | -40 to 40°C °C | <3300 ft |

Typical Performance

| Efficiency (%) | | | | Power Factor (%) | | |
|-------------------|-----------------------------|---------------------------------|--------------------------------------|---------------------|-----------|--------------------------------|
| Full Load | | 3/4 Load | 1/2 Load | Full Load | 3/4 Load | 1/2 Load |
| Nom. | Min. | | | | | |
| 83.5 | 81.0 | 85.0 | 82.0 | 72.0 | 67.0 | 54.0 |
| Torque | | | | Current (A) | | |
| Full Load (lb-ft) | Locked Rotor (% FLT) | Pull Up (% FLT) | Break Down (% FLT) | No Load | Full Load | Locked Rotor |
| 3.00 | 450 | 410 | 410 | 0.7 | 1.2 | 12 |
| NEMA KVA Code | Inertia (WR ²) | | | Safe Stall Time (s) | | Noise Level Sound Press. dB(A) |
| | Rotor (lb-ft ²) | NEMA Load (lb-ft ²) | Max. Allowable (lb-ft ²) | Cold | Hot | |
| N | 0.100 | 9.0 | 76.429 | 44 | 31 | 54 |

VFD Duty Information

| Speed Range | | | VFD | | S.F. |
|-----------------|-----------------|----------------|---------|--------------|----------|
| Constant Torque | Variable Torque | Constant Power | Carrier | Type | |
| 6-60Hz | 3-60Hz | 60-120Hz | ≤ 5 kHz | VPWM or CPWM | 1.0 Only |

Additional Information

| Bearings | | Approx. Weight |
|----------|--------|----------------|
| DE | NDE | lbs |
| 6205ZZ | 6204ZZ | 32 |

Hazardous Locations Information

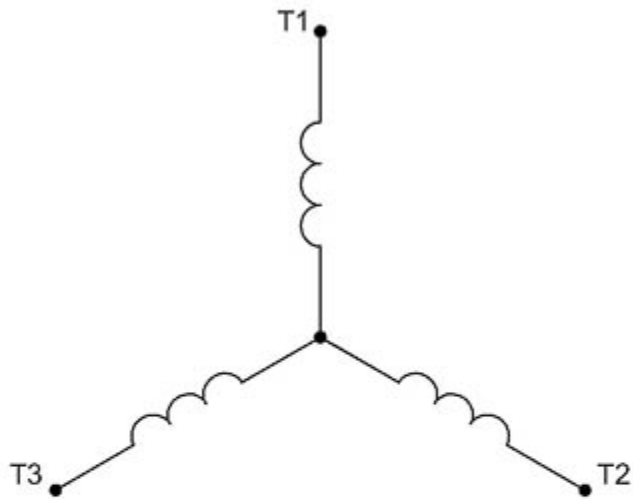
| | |
|----------------------------|-------|
| N/A | |
| 0 | |
| 0 | |
| Temp Code (Sinewave / VFD) | 0 / 0 |

Nameplate Drawing

Rolled Steel TEFC

| | | | | | |
|-----------------|-----------------|----------------|-------------|----------------|------|
| TYPE | AEGHPE | CAT. NO. | RF00145C-56 | | |
| OUTPUT | 1 HP 0.75 kW | FRAME | 56C | TEFC | |
| R.P.M. | 1750 | POLE | 4 | INS. | F |
| VOLTS | 575 | PHASE | 3 | Hz | 60 |
| AMPS | 1.2 | CODE | N | S.F. | 1.15 |
| AMBIENT | 40 °C | NOM. EFF. 83.5 | | MIN. EFF. 81.0 | |
| BEARINGS | 6205ZZ / 6204ZZ | | | RATING Cont. | |
| SER. NO. | TBD | DESIGN | B | WT. 32 LBS | |
| PWM VFD DUTY | VT | CT | CP | S.F. | |
| | 3-60Hz | 6-60Hz | 60-120Hz | 1.0 Only | |

Connection Diagram



| 3 LEAD | | SINGLE VOLTAGE | | | WYE |
|---------|-------|----------------|----|----|-----|
| VOLTAGE | CONN. | L1 | L2 | L3 | |
| - | WYE | 1 | 2 | 3 | |

WD_3Y