

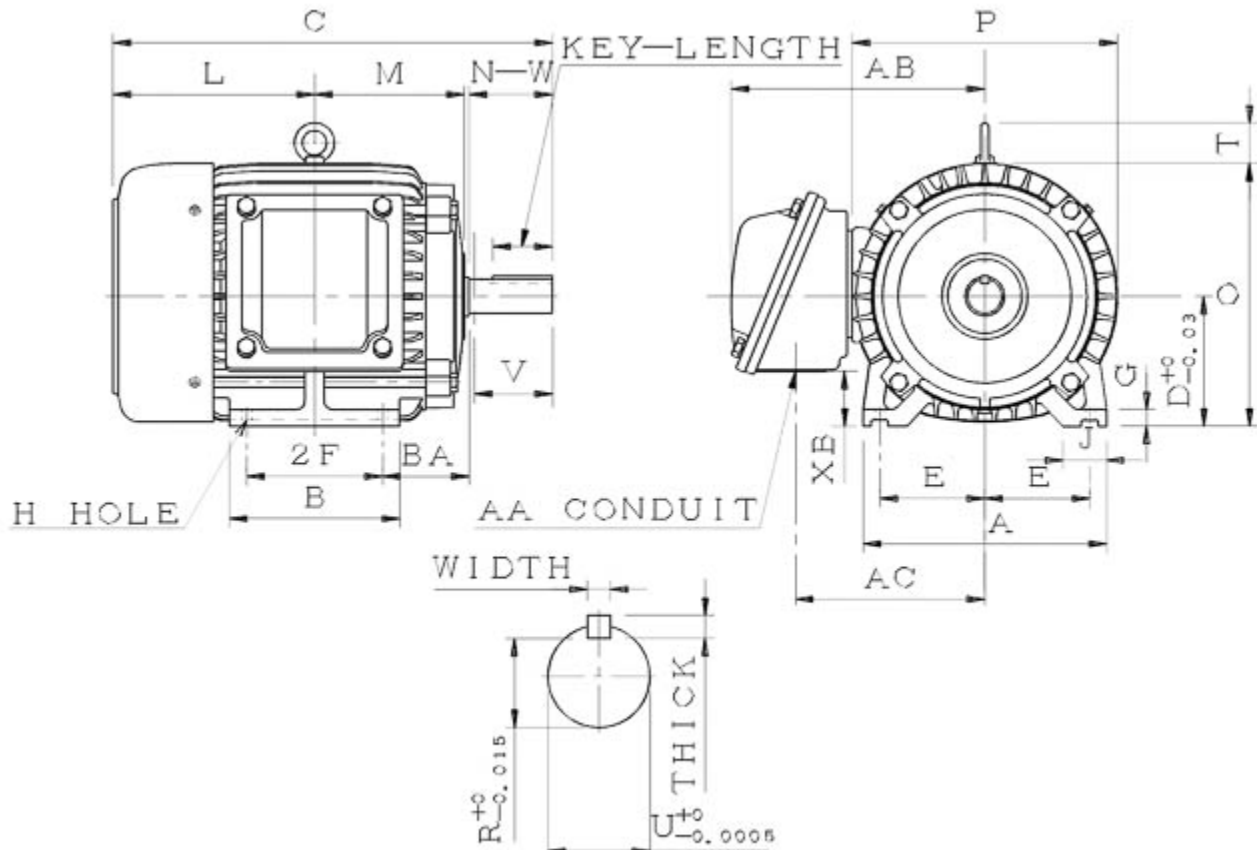
Technical Documentation

XC00545
Optim TEXP | AEHHXV

Date: December 1, 2016

Dimensional Drawing

Catalogue	Model	HP	Pole	kW	Rating	Voltage	Hz	RPM
XC00545	AEHHXV	5	4	3.7	Continuous	575 V	60	1800



AEHHXV-SMP-2 1 0

Frame Size	Mounting					A	B	C	CD	D	
	E	2F	2F2	H	BA						
184T	3.75	5.5		0.41	2.75	8.8	6.9	15.91		4.5	
G	J	K	L	M	O	P	T	Key			Keyseat
0.65	1.75		7.66	5.41	9.35	9.6	1.15	Width	Thick	Length	R
								0.25	0.25	1.78	0.986
Terminal Housing				Aux Box		C/D Flange					
AA	AB	AC	XB	AE	AX	BB	AH	AK	BD	AJ	BF
NPT3/4"	8.78	6.45	2.33								
Shaft Extension			Bearings		Approx. Weight Lbs	SPL dBA/3ft	Ins. Class	S.F.	Drive Method	Dimensions	
N-W	U	V	DE	NDE							
2.75	1.125	2.7	6306ZZ	6306ZZ	120	59.0	F	1.15	Direct Coupling / Belt Drive	Inches	

Technical Data Sheet

Motor Type: AEHHXV

Catalogue No: XC00545

Nameplate Information

HP	Pole	RPM	Frame	Voltage	Hz	Phase
5	4	1745	184T	575	60	3
Enclosure	Ins. Class	Service Factor	Time Rating	NEMA Design	Rated Amb.	Rated Altitude
TEXP	F	1.15	Continuous	B	°C	<3300 ft

Typical Performance

Efficiency (%)				Power Factor (%)		
Full Load		3/4 Load	1/2 Load	Full Load	3/4 Load	1/2 Load
Nom.	Min.					
89.5	87.5	91.0	91.0	84.0	80.0	70.0
Torque				Current (A)		
Full Load (lb-ft)	Locked Rotor (% FLT)	Pull Up (% FLT)	Break Down (% FLT)	No Load	Full Load	Locked Rotor
15.0	205.0	185.0	285.0	2.1	5.0	37
NEMA KVA Code	Inertia (WR ²)			Safe Stall Time (s)		Noise Level Sound Press. dB(A)
	Rotor (lb-ft ²)	NEMA Load (lb-ft ²)	Max. Allowable (lb-ft ²)	Cold	Hot	
J	0.4	27.0	62.0	32.0	22.0	59.0

VFD Duty Information

Speed Range			VFD		S.F.
Constant Torque	Variable Torque	Constant Power	Carrier	Type	
12-60Hz	3-60Hz	60-90Hz	≤ 5 kHz	VPWM or CPWM	1.0 Only

Additional Information

Bearings		Approx. Weight
DE	NDE	lbs
6306ZZ	6306ZZ	120

Hazardous Locations Information

CSA/UL Certified	
Class I, Div 1, Groups C & D; Class II, Div 1, Groups E, F & G Class I, Zone 1, Groups IIB & IIA; Class II, Div 1, Groups E, F & G	
Temp Code (Sinewave / VFD)	T3B / T3B

Connection Diagram

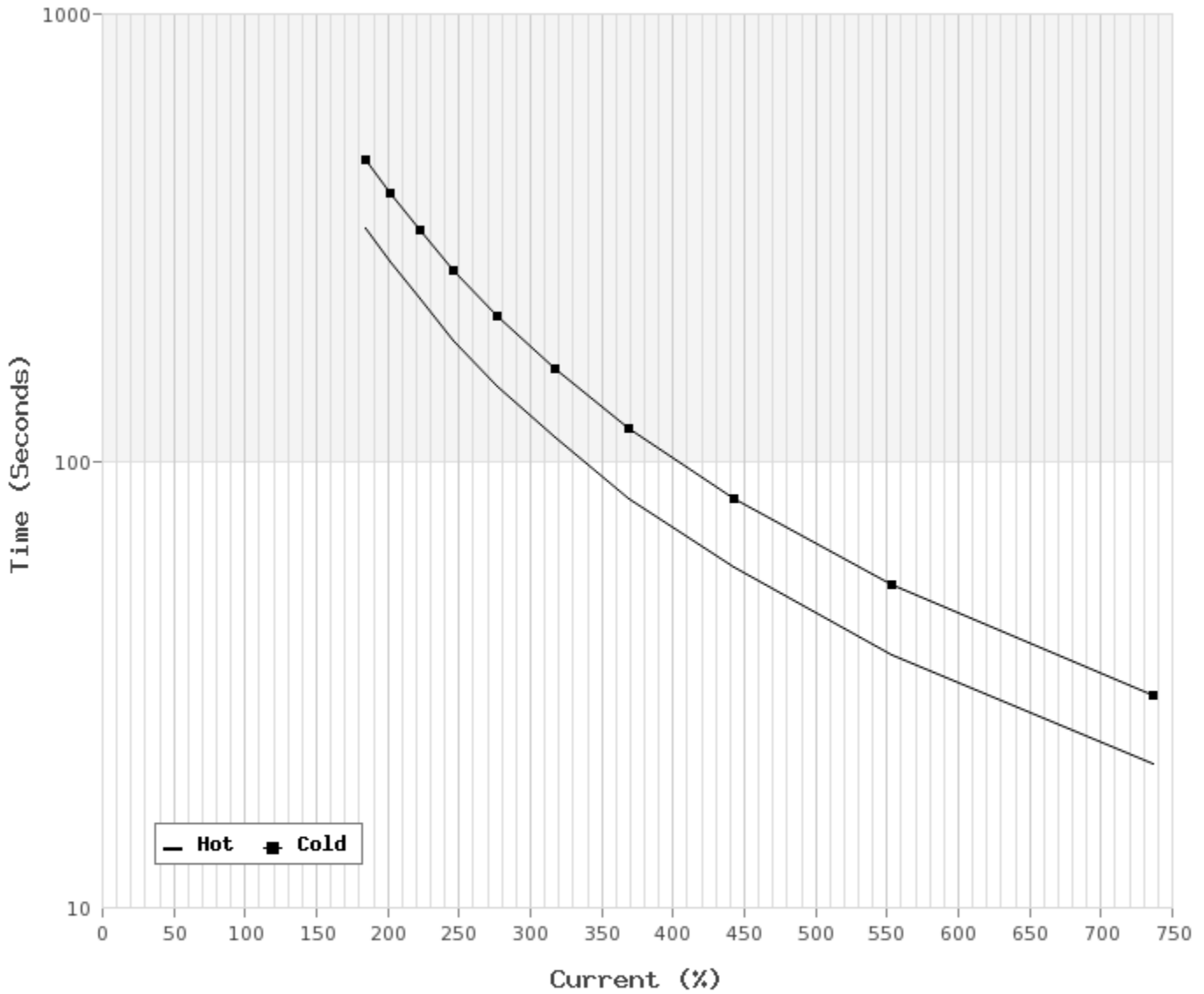


3 LEAD		SINGLE VOLTAGE			WYE
VOLTAGE	CONN.	L1	L2	L3	
-	WYE	1	2	3	

WD_3Y

Thermal Limit Curves

Motor Type: AEHHXV		Catalogue No: XC00545		Family: Optim TEXP	
HP	5	Safe Stall Time		Full Load A	0.0 / 5.0 A
Voltage	0 / 575V 60Hz	Hot	22.0 s	Locked Rotor A	743 %
RPM	1800	Cold	32.0 s	Locked Rotor A	0.0 / 37 A



T-N and I-N Curves

Motor Type: AEHHXV		Catalogue No: XC00545		Family: Optim TEXP	
HP	5	Full Load T	15.0 lb-ft	Full Load A	5.0 A
Voltage	575V 60Hz	Locked Rotor T	205.0 %	Locked Rotor A	37.0 A
RPM	1800	Pull Up T	185.0 %	Break Down T	285.0 %

