

Technical Documentation

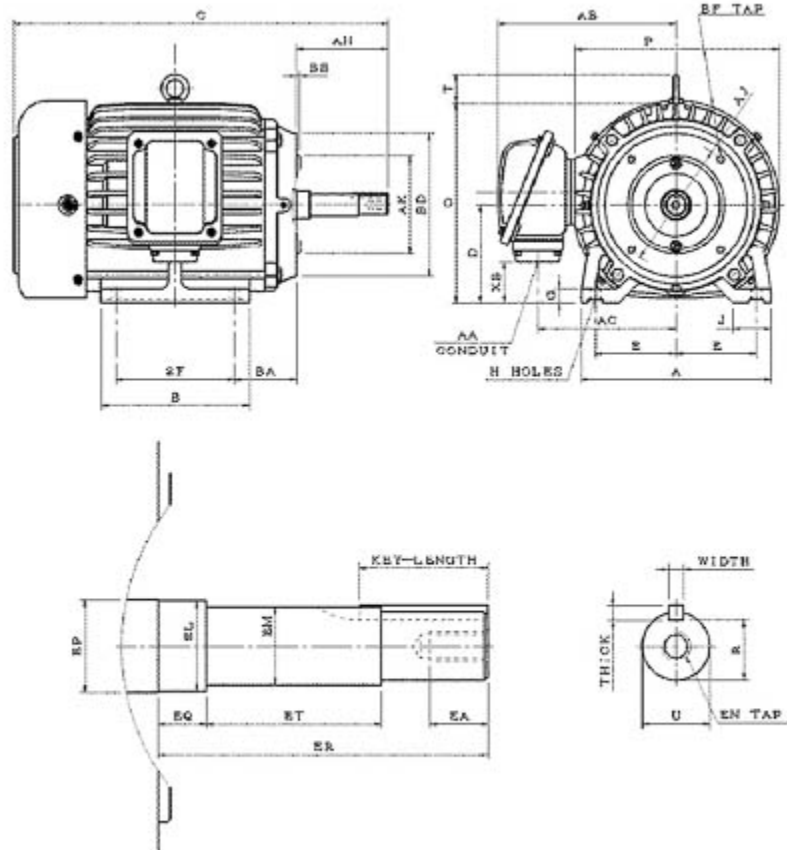
# **CJM0032**

## **Optim JM | AEHH8N\_JM**

Date: November 29, 2016

**Dimensional Drawing**

Catalogue	Model	HP	Pole	kW	Rating	Voltage	Hz	RPM
CJM0032	AEHH8N_JM	3	2	2.2	Continuous	230 / 460 V	60	3600



AEHH8N-JM-SMP-2

Frame Size	Mounting					A	B	C	CD	D	
	E	2F	2F2	H	BA						
182JM	3.75	4.5		0.41	2.88	8.82	5.9	16.51		4.5	
G	J	K	L	M	O	P	T	Key			Keyseat
0.65	1.75				9.31	9.61	1.3	Width	Thick	Length	R
								0.188	0.188	1.65	0.771
Terminal Housing			Aux Box			C/D Flange					
AA	AB	AC	XB	AE	AX	BB	AH	AK	BD	AJ	BF
3/4"	8.31	6.38	1.86			0.156	4.25	4.5	6.61	5.876	4-3/8"-16UNC
Shaft Extension			Bearings		Approx. Weight Lbs	SPL dBA/3ft	Ins. Class	S.F.	Drive Method	Dimensions	
N-W	U	V	DE	NDE							
	0.875		6306ZZ	6306ZZ	88	64	F	1.15	DirectCoupling	Inches	

### Technical Data Sheet

Motor Type: AEHH8N\_JM

Catalogue No: CJM0032

#### Nameplate Information

HP	Pole	RPM	Frame	Voltage	Hz	Phase
3	2	3490	182JM	230 / 460	60	3
Enclosure	Ins. Class	Service Factor	Time Rating	NEMA Design	Rated Amb.	Rated Altitude
TEFC	F	1.15	Continuous	B	-40 to 40 °C	<3300 ft

#### Typical Performance

Efficiency (%)				Power Factor (%)		
Full Load		3/4 Load	1/2 Load	Full Load	3/4 Load	1/2 Load
Nom.	Min.					
88.5	86.5	90.2	89.5	90.0	87.0	79.5
Torque				Current (A)		
Full Load (lb-ft)	Locked Rotor (% FLT)	Pull Up (% FLT)	Break Down (% FLT)	No Load	Full Load	Locked Rotor
4.51	280	250	380	2.4 / 1.2	7.1 / 3.5	64 / 32
NEMA KVA Code	Inertia (WR <sup>2</sup> )			Safe Stall Time (s)		Noise Level Sound Press. dB(A)
	Rotor (lb-ft <sup>2</sup> )	NEMA Load (lb-ft <sup>2</sup> )	Max. Allowable (lb-ft <sup>2</sup> )	Cold	Hot	
K	0.190	3.5	13	17	12	64

#### VFD Duty Information

Speed Range			VFD		S.F.
Constant Torque	Variable Torque	Constant Power	Carrier	Type	
6-60Hz	3-60Hz	60-120Hz	≤ 5 kHz	VPWM or CPWM	1.0 Only

#### Additional Information

Bearings		Approx. Weight
DE	NDE	lbs
6306ZZ	6306ZZ	88

#### Hazardous Locations Information

CSA Certified	
Class I, Div 2, Groups B, C & D Class I, Zone 2, Groups IIB+H2, IIB & IIA	
Temp Code (Sinewave / VFD)	T3C / T3C

**Connection Diagram**

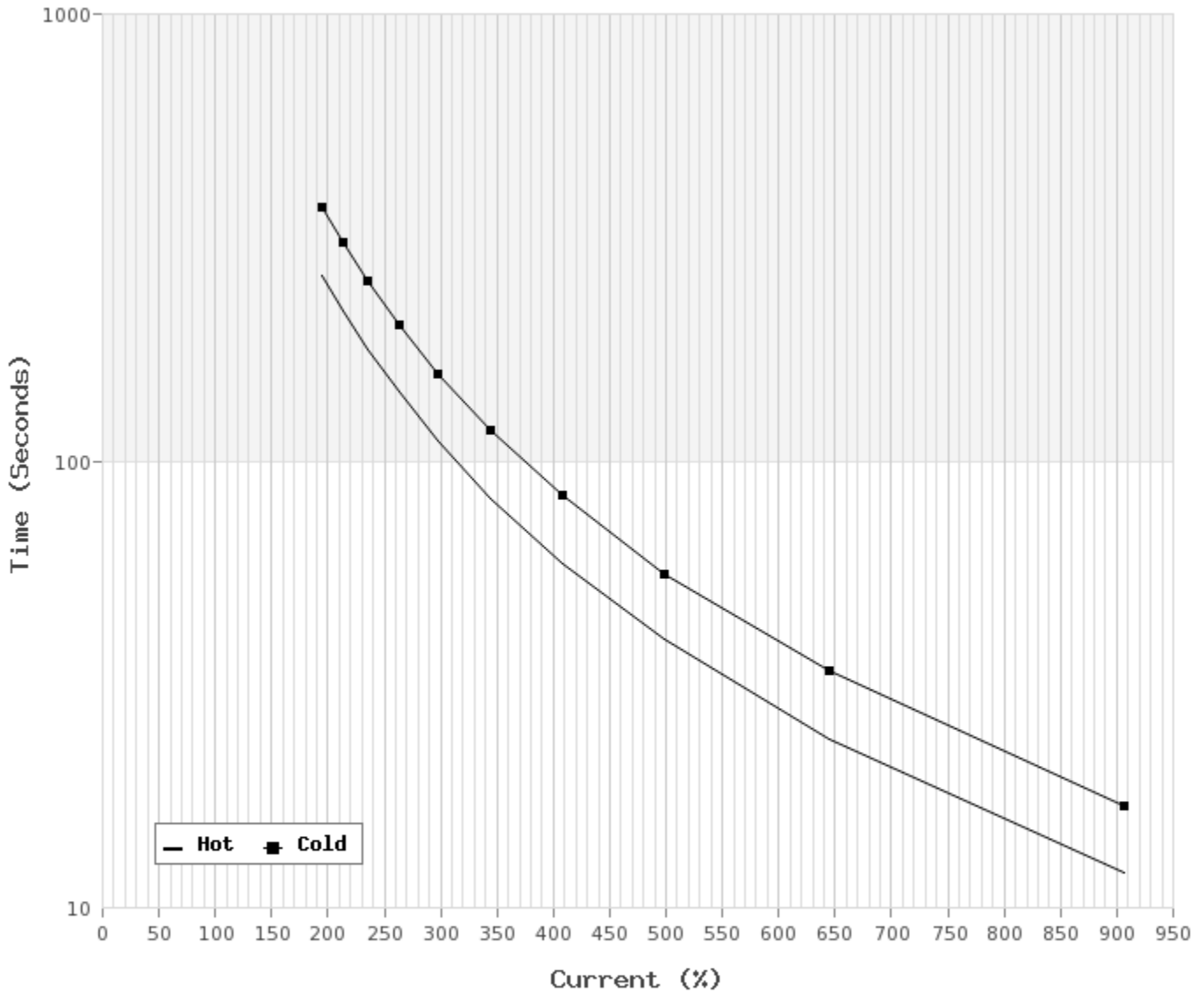


9 LEAD DUAL VOLTAGE WYE					
VOLTAGE	CONN.	L1	L2	L3	JOIN
HIGH	WYE	1	2	3	4&7,5&8,6&9
LOW	2 WYE	1,7	2,8	3,9	4&5&6

WD\_9Y

### Thermal Limit Curves

Motor Type: AEHH8N JM		Catalogue No: CJM0032		Family: Optim JM	
HP	3	Safe Stall Time		Full Load A	7.1 / 3.5 A
Voltage	230 / 460V 60Hz	Hot	12 s	Locked Rotor A	907 / 907 %
RPM	3600	Cold	17 s	Locked Rotor A	64.0 / 32 A



**T-N and I-N Curves**

Motor Type: AEHH8N_JM		Catalogue No: CJM0032		Family: Optim JM	
HP	3	Full Load T	4.51 lb-ft	Full Load A	7.1 / 3.5 A
Voltage	230 / 460V 60Hz	Locked Rotor T	280 %	Locked Rotor A	64.0 / 32.0 A
RPM	3600	Pull Up T	250 %	Break Down T	380 %

