

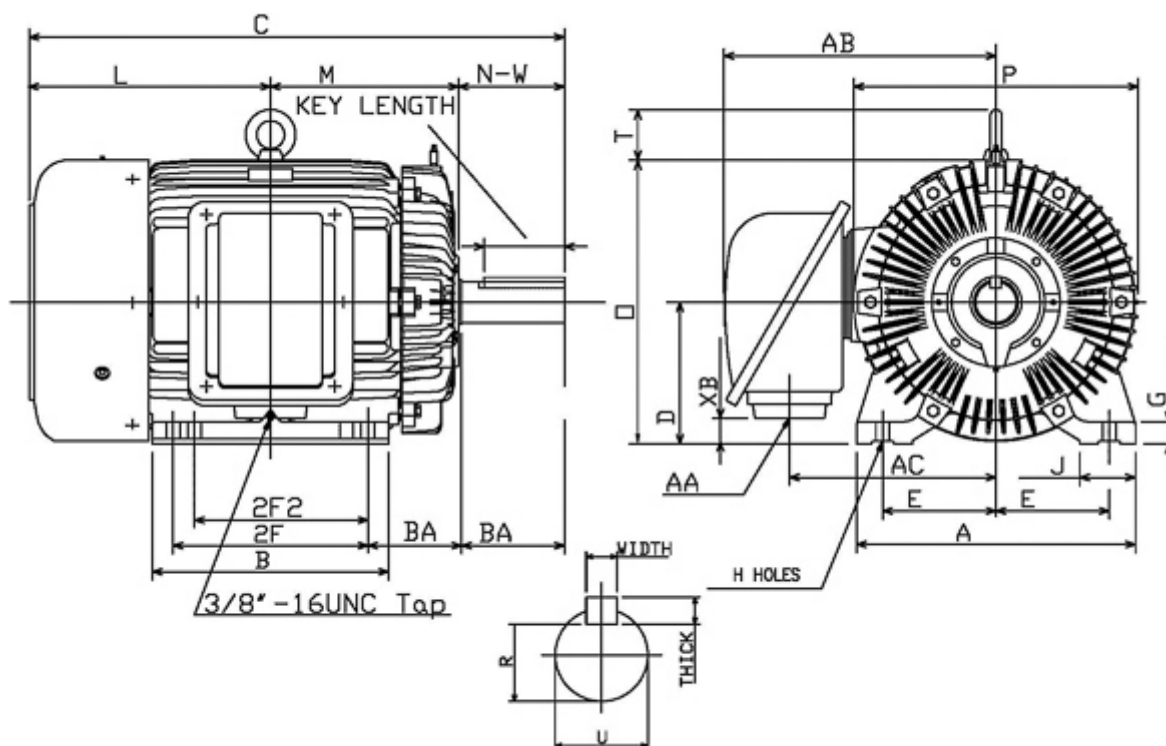
Technical Documentation

APH0756
Advantage Plus IEEE Ready | AEHH8R


Date: June 26, 2020

Dimensional Drawing

Catalogue	Model	HP	Pole	kW	Rating	Voltage	Hz	RPM
APH0756	AEHH8R	75	6	56	Continuous	460	60	1200



Frame Size	Mounting					A	B	C	CD	D	
	E	2F	2F2	H	BA						
405T	8	13.75	12.25	0.81	6.62	19.68	16.73	37.99		10	
G	J	K	L	M	O	P	T	Key			Keyseat
1.57	3.94		17.24	13.27	20	20.08	3.54	Width	Thick	Length	R
								0.75	0.75	5.65	2.45
Terminal Housing			Aux Box			C/D Flange					
AA	AB	AC	XB	AE	AX	BB	AH	AK	BD	AJ	BF
NPT3"	19.41	14.76	1.81								
Shaft Extension			Bearings		Approx. Weight Lbs	SPL dBA/3ft	Ins. Class	S.F.	Drive Method	Dimensions	
N-W	U	V	DE	NDE							
7.25	2.875	7.16	6317C3	6313ZC3	1298	78	F	1.15	Direct Coupling / Belt Drive	Inches	

	
	Date: June 26, 2020

Technical Data Sheet

Motor Type: AEHH8R	Catalogue No: APH0756
--------------------	-----------------------

Nameplate Information

HP	Pole	RPM	Frame	Voltage	Hz	Phase
75	6	1180	405T	460	60	3
Enclosure	Ins. Class	Service Factor	Time Rating	NEMA Design	Rated Amb.	Rated Altitude
TEFC	F	1.15	Continuous	B	-40 to 40 °C	<1000 m

Typical Performance

Efficiency (%)				Power Factor (%)		
Full Load		3/4 Load	1/2 Load	Full Load	3/4 Load	1/2 Load
Nom.	Min.					
94.5	93.6	94.5	94.5	86.5	84.5	79.0
Torque				Current (A)		
Full Load (lb-ft)	Locked Rotor (% FLT)	Pull Up (% FLT)	Break Down (% FLT)	No Load	Full Load	Locked Rotor
333.70	200	175	225	22.6	85.9	543
NEMA KVA Code	Inertia (WR ²)			Safe Stall Time (s)		Noise Level Sound Press. dB(A)
	Rotor (lb-ft ²)	NEMA Load (lb-ft ²)	Max. Allowable (lb-ft ²)	Cold	Hot	
G	37.862	904.00	2050.00	30	21	78

VFD Duty Information

Speed Range			VFD		S.F.
Constant Torque	Variable Torque	Constant Power	Carrier	Type	
6-60Hz	3-60Hz	60-120Hz	≤ 5 kHz	VPWM or CPWM	1.0 Only

Hazardous Locations Information

CSA Certified	
Class I, Div 2, Groups B, C & D Class I, Zone 2, Groups IIB+H2, IIB & IIA	
Temp Code (Sinewave / VFD)	T3C / T3

Additional Certifications

Other Certification
Class II, Div 2, Groups F & G

Additional Information

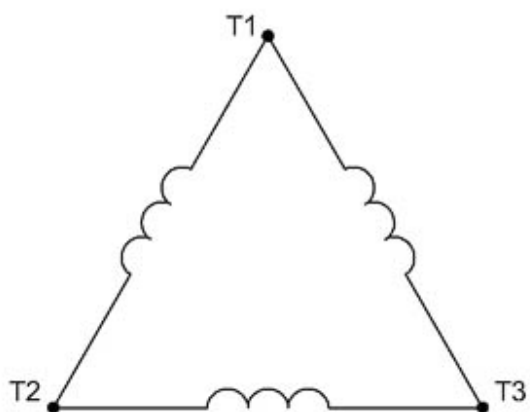
Bearings		Approx. Weight
DE	NDE	lbs
6317C3	6313ZC3	1298

Nameplate Drawing

Advantage Plus IEEE Ready

TYPE	AEHH8R	CAT. NO.	APH0756		
OUTPUT	75 HP 56 kW	FRAME	405T	TEFC	
R.P.M.	1180	POLE	6	INS.	F
VOLTS	460	PHASE	3	Hz	60
AMPS	85.9	CODE	G	S.F.	1.15
AMBIENT	40 °C	NOM. EFF. 94.5		MIN. EFF. 93.6	
BEARINGS	6317C3 / 6313ZC3			RATING Cont.	
SER. NO.	TBD	DESIGN	B	WT. 1298 LBS	
PWM VFD DUTY	VT	CT	CP	S.F.	
	3-60Hz	6-60Hz	60-120Hz	1.0 Only	

Connection Diagram

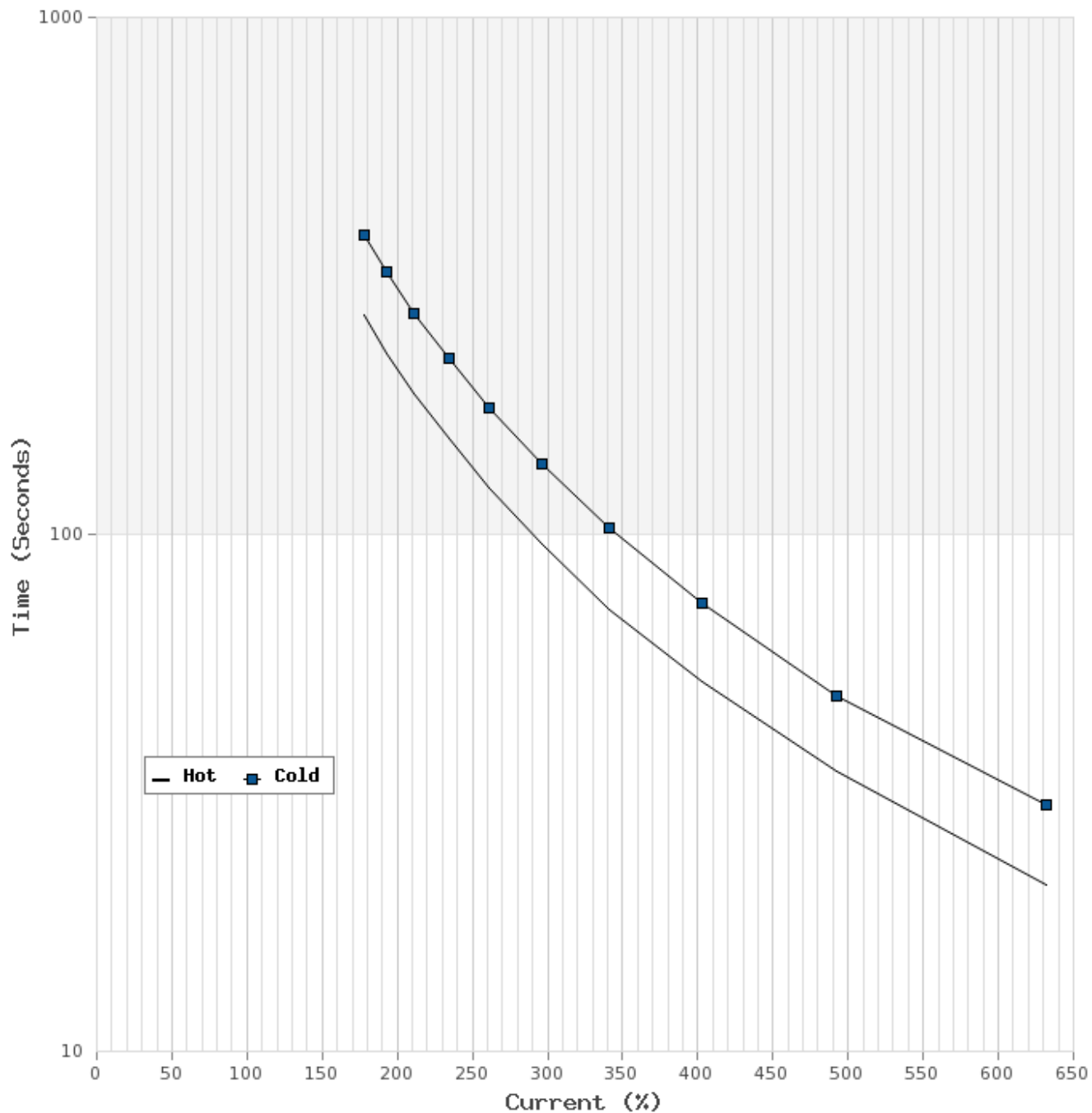


3 LEAD		SINGLE VOLTAGE			DELTA
VOLTAGE	CONN.	L1	L2	L3	
-	DELTA	1	2	3	

WD_3D

Thermal Limit Curves

Motor Type: AEHH8R		Catalogue No: APH0756		Family: Advantage Plus IEEE Ready	
HP	75	Safe Stall Time		Full Load A	85.9 A
Voltage	460V 60Hz	Hot	21 s	% Inrush	632 %
RPM	1200	Cold	30 s	Locked Rotor A	543 A



T-N and I-N Curves

Motor Type: AEHH8R		Catalogue No: APH0756		Family: Advantage Plus IEEE Ready	
HP	75	Full Load T	333.70 lb-ft	Full Load A	85.9 A
Voltage	460V 60Hz	Locked Rotor T	200 %	Locked Rotor A	543.0 A
RPM	1200	Pull Up T	175 %	Break Down T	225 %

