

Technical Documentation

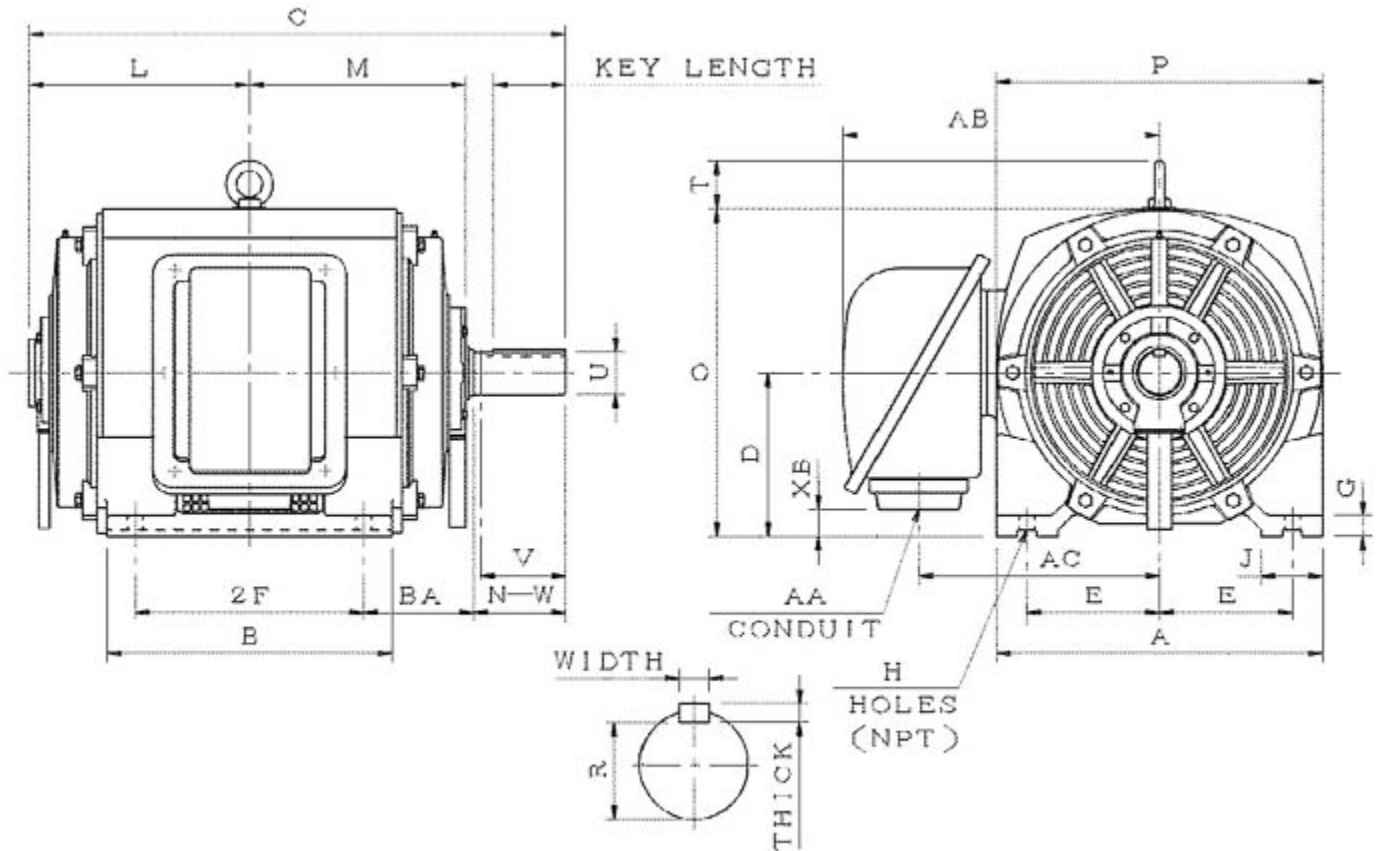
SDP12525

Optim ODP | ASHH

Date: December 1, 2016

Dimensional Drawing

Catalogue	Model	HP	Pole	kW	Rating	Voltage	Hz	RPM
SDP12525	ASHH	125	2	93.25	Continuous	575 V	60	3600



ASHH-SMP-5

Frame Size	Mounting					A	B	C	CD	D	
	E	2F	2F2	H	BA						
404TS	8	12.25		0.81	6.62	19.68	15.66	29.83		10	
G	J	K	L	M	O	P	T	Key			Keyseat
1.41	3.74		12.83	12.24	19.96	19.68	3.54	Width	Thick	Length	R
								0.5	0.5	2.78	1.845
Terminal Housing				Aux Box		C/D Flange					
AA	AB	AC	XB	AE	AX	BB	AH	AK	BD	AJ	BF
3	19.4	14.76	1.81								
Shaft Extension			Bearings		Approx. Weight Lbs	SPL dBA/3ft	Ins. Class	S.F.	Drive Method	Dimensions	
N-W	U	V	DE	NDE							
4.25	2.125	4.15	6313C3	6313C3	902	84	F	1.15	Direct Coupling / Belt Drive	Inches	

Technical Data Sheet

Motor Type: ASHH

Catalogue No: SDP12525

Nameplate Information

HP	Pole	RPM	Frame	Voltage	Hz	Phase
125	2	3560	404TS	575	60	3
Enclosure	Ins. Class	Service Factor	Time Rating	NEMA Design	Rated Amb.	Rated Altitude
ODP	F	1.15	Continuous	B	-40 to 40 °C	<3300 ft

Typical Performance

Efficiency (%)				Power Factor (%)		
Full Load		3/4 Load	1/2 Load	Full Load	3/4 Load	1/2 Load
Nom.	Min.					
94.1	93.0	94.1	94.1	90.5	87.5	83.0
Torque				Current (A)		
Full Load (lb-ft)	Locked Rotor (% FLT)	Pull Up (% FLT)	Break Down (% FLT)	No Load	Full Load	Locked Rotor
184.40	140	120	250	24.8	110.0	726
NEMA KVA Code	Inertia (WR ²)			Safe Stall Time (s)		Noise Level Sound Press. dB(A)
	Rotor (lb-ft ²)	NEMA Load (lb-ft ²)	Max. Allowable (lb-ft ²)	Cold	Hot	
G	8.379	113	144	17	12	84

VFD Duty Information

Speed Range			VFD		S.F.
Constant Torque	Variable Torque	Constant Power	Carrier	Type	
6-60Hz	3-60Hz	60-120Hz	≤ 5 kHz	VPWM or CPWM	1.0 Only

Additional Information

Bearings		Approx. Weight
DE	NDE	lbs
6313C3	6313C3	902

Hazardous Locations Information

N/A	
0	
0	
Temp Code (Sinewave / VFD)	0 / 0

Connection Diagram

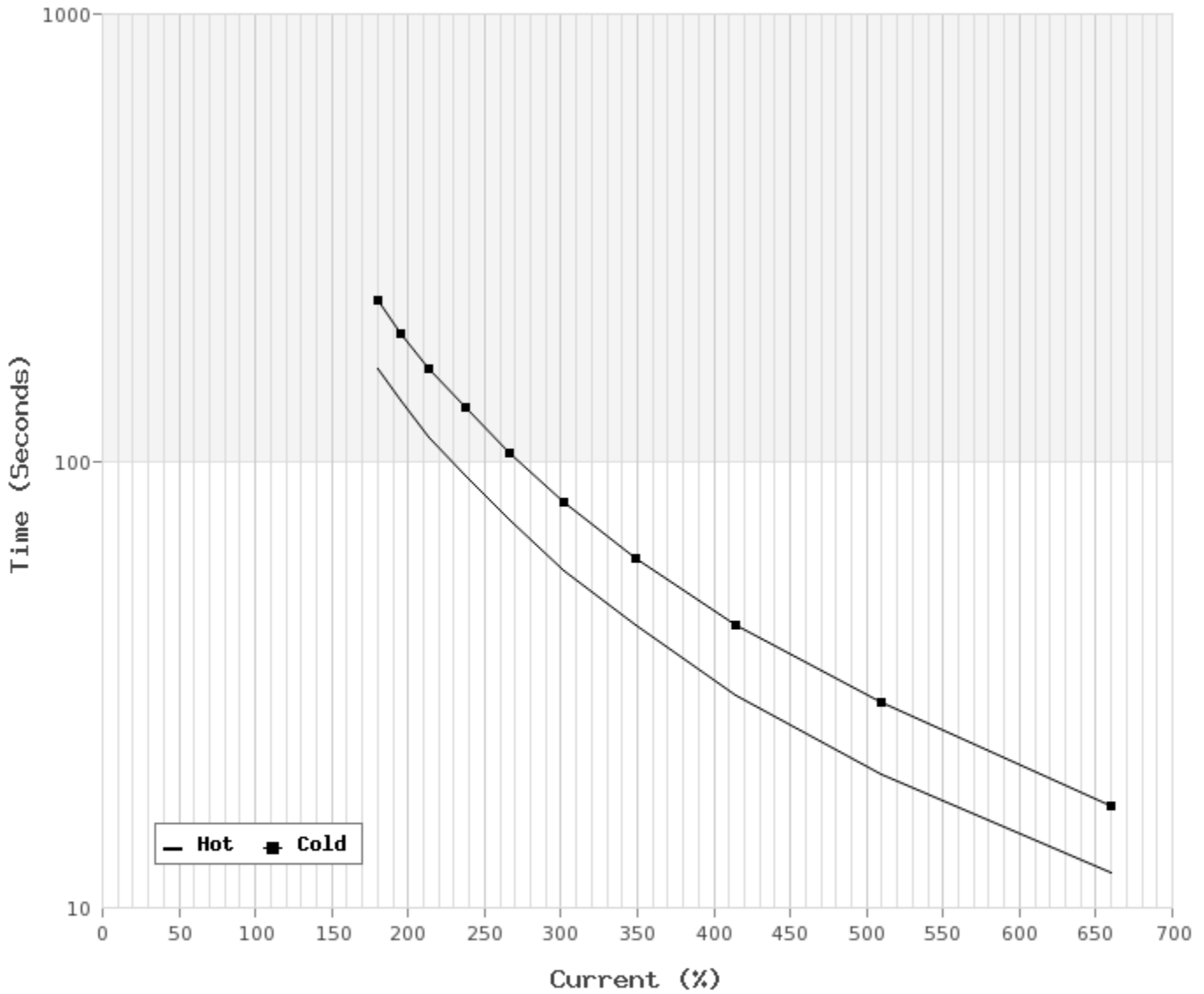


3 LEAD SINGLE VOLTAGE DELTA					
VOLTAGE	CONN.	L1	L2	L3	
-	DELTA	1	2	3	

WD_3D

Thermal Limit Curves

Motor Type: ASHH		Catalogue No: SDP12525		Family: Optim ODP	
HP	125	Safe Stall Time		Full Load A	0.0 / 110.0 A
Voltage	0 / 575V 60Hz	Hot	12 s	Locked Rotor A	660 %
RPM	3600	Cold	17 s	Locked Rotor A	0.0 / 726 A



T-N and I-N Curves

Motor Type: ASHH		Catalogue No: SDP12525		Family: Optim ODP	
HP	125	Full Load T	184.40 lb-ft	Full Load A	110.0 A
Voltage	575V 60Hz	Locked Rotor T	140 %	Locked Rotor A	726.0 A
RPM	3600	Pull Up T	120 %	Break Down T	250 %

