

Technical Documentation

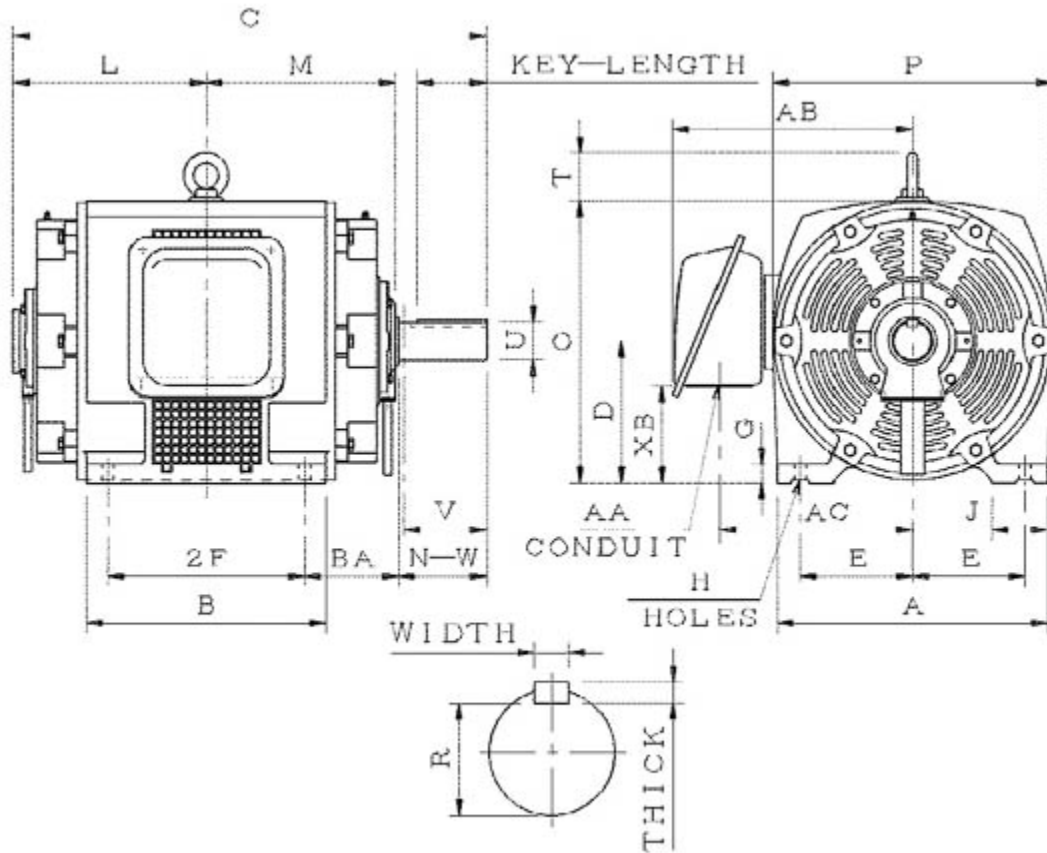
# **SDP05025**

## **Optim ODP | ASHH**

Date: December 1, 2016

**Dimensional Drawing**

Catalogue	Model	HP	Pole	kW	Rating	Voltage	Hz	RPM
SDP05025	ASHH	50	2	37.3	Continuous	575 V	60	3600



ASHH-SMP-4

Frame Size	Mounting					A	B	C	CD	D	
	E	2F	2F2	H	BA						
324TS	6.25	10.5		0.66	5.25	15.75	12.8	25.1		8	
G	J	K	L	M	O	P	T	Key			Keyseat
1.1	3.15		10.85	10.3	16.05	16.1	2.35	Width	Thick	Length	R
								0.5	0.5	2.03	1.591
Terminal Housing				Aux Box		C/D Flange					
AA	AB	AC	XB	AE	AX	BB	AH	AK	BD	AJ	BF
2.56	13.45	10.98	5.2								
Shaft Extension			Bearings		Approx. Weight Lbs	SPL dBA/3ft	Ins. Class	S.F.	Drive Method	Dimensions	
N-W	U	V	DE	NDE							
3.75	1.875	3.65	6213C3	6213C3	518	81	F	1.15	Direct Coupling	Inches	

### Technical Data Sheet

Motor Type: ASHH

Catalogue No: SDP05025

#### Nameplate Information

HP	Pole	RPM	Frame	Voltage	Hz	Phase
50	2	3555	324TS	575	60	3
Enclosure	Ins. Class	Service Factor	Time Rating	NEMA Design	Rated Amb.	Rated Altitude
ODP	F	1.15	Continuous	B	-40 to 40 °C	<3300 ft

#### Typical Performance

Efficiency (%)				Power Factor (%)		
Full Load		3/4 Load	1/2 Load	Full Load	3/4 Load	1/2 Load
Nom.	Min.					
93.0	91.7	93.6	93.6	86.0	83.0	77.0
Torque				Current (A)		
Full Load (lb-ft)	Locked Rotor (% FLT)	Pull Up (% FLT)	Break Down (% FLT)	No Load	Full Load	Locked Rotor
73.84	190	160	250	13.0	46.8	290
NEMA KVA Code	Inertia (WR <sup>2</sup> )			Safe Stall Time (s)		Noise Level Sound Press. dB(A)
	Rotor (lb-ft <sup>2</sup> )	NEMA Load (lb-ft <sup>2</sup> )	Max. Allowable (lb-ft <sup>2</sup> )	Cold	Hot	
G	2.908	49	82	17	12	81

#### VFD Duty Information

Speed Range			VFD		S.F.
Constant Torque	Variable Torque	Constant Power	Carrier	Type	
6-60Hz	3-60Hz	60-120Hz	≤ 5 kHz	VPWM or CPWM	1.0 Only

#### Additional Information

Bearings		Approx. Weight
DE	NDE	lbs
6213C3	6213C3	518

#### Hazardous Locations Information

N/A	
0	
0	
Temp Code (Sinewave / VFD)	0 / 0

**Connection Diagram**

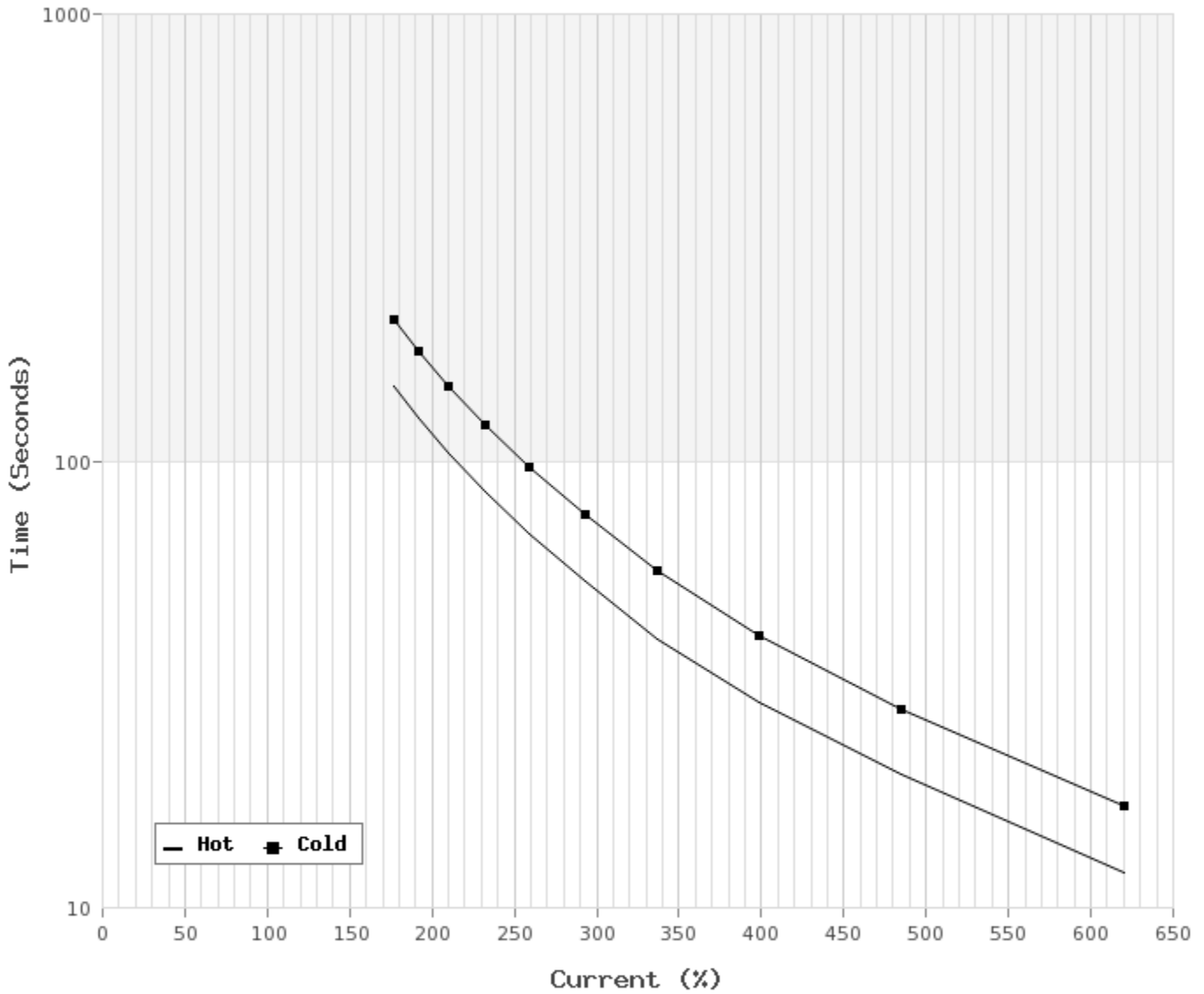


3 LEAD SINGLE VOLTAGE DELTA					
VOLTAGE	CONN.	L1	L2	L3	
-	DELTA	1	2	3	

WD\_3D

**Thermal Limit Curves**

Motor Type: ASHH		Catalogue No: SDP05025		Family: Optim ODP	
HP	50	Safe Stall Time		Full Load A	0.0 / 46.8 A
Voltage	0 / 575V 60Hz	Hot	12 s	Locked Rotor A	620 %
RPM	3600	Cold	17 s	Locked Rotor A	0.0 / 290 A



**T-N and I-N Curves**

Motor Type: ASHH		Catalogue No: SDP05025		Family: Optim ODP	
HP	50	Full Load T	73.84 lb-ft	Full Load A	46.8 A
Voltage	575V 60Hz	Locked Rotor T	190 %	Locked Rotor A	290.0 A
RPM	3600	Pull Up T	160 %	Break Down T	250 %

