

Technical Documentation

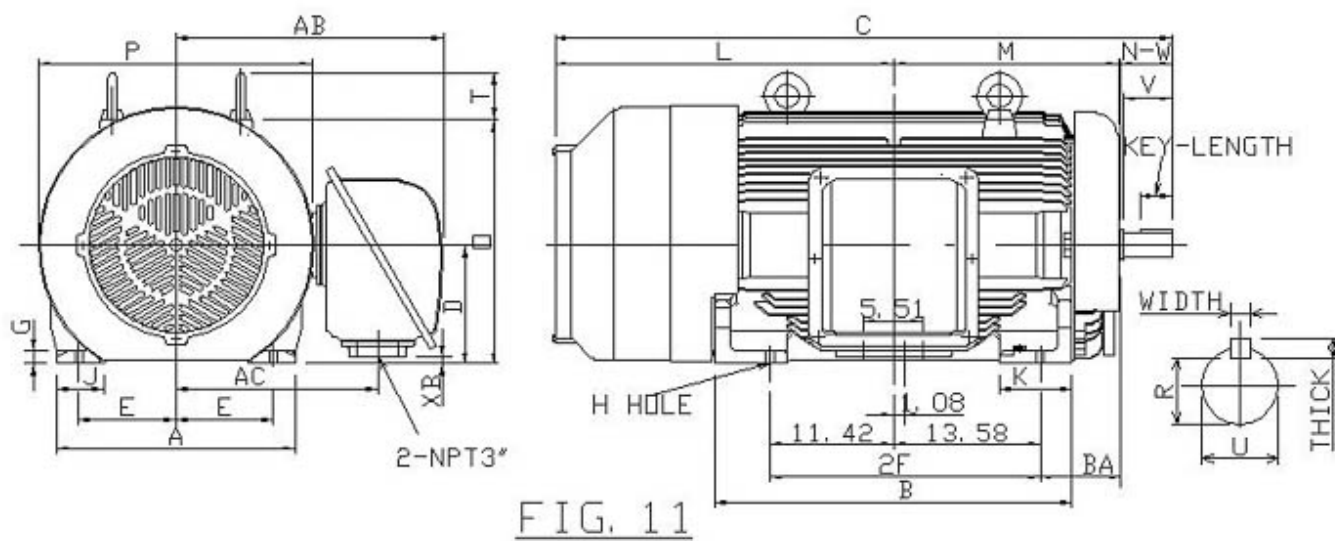
PDX3502

Optim TEFC | AEHH8N

Date: July 1, 2021

Dimensional Drawing

Catalogue	Type	HP	RPM	Voltage	Hz	Frame Size
PDX3502	AEHH8N	350	3600	460	60	449TS(X)



Mounting				A	B	C	D	G	J	K	KL
E	2F	H	BA								
9	25	0.81	7.5	22.05	33.07	57.17	11	1.18	4.35	6.7	

L	M	O	P	T
31.34	20.87	22.6	25.7	4.33

Terminal Housing			
AA	AB	AC	XB
2-3	24.8	18.7	0.65

Shaft Extension			Key			Keyseat
N-W	U	V	Width	Thick	Length	R
4.75	2.375	4.5	0.625	0.625	3.03	2.021

Bearings		Weight Lbs	Drive Method	Dimensions
DE	NDE			
6314C3	6314C3	3000	Direct Coupling	Inches

Technical Data Sheet

Motor Type: AEHH8N

Catalogue No: PDX3502

Nameplate Information

HP	Pole	RPM	Frame	Voltage	Hz	Phase
350	2	3583	449TS(X)	460	60	3
Enclosure	Ins. Class	Service Factor	Time Rating	NEMA Design	Rated Amb.	Rated Altitude
TEFC	F	1.15	Continuous		-40 to 40 °C	<1000 m

Typical Performance

Efficiency (%)				Power Factor (%)		
Full Load		3/4 Load	1/2 Load	Full Load	3/4 Load	1/2 Load
Nom.	Min.					
95.80		96.20	96.00	91.00	91.10	88.30
Torque				Current (A)		
Full Load (lb-ft)	Locked Rotor (% FLT)	Pull Up (% FLT)	Break Down (% FLT)	No Load	Full Load	Locked Rotor
513.42	130	100	260		375.9	2550.00
NEMA KVA Code	Inertia (WR ²)			Safe Stall Time (s)		Noise Level Sound Press. dB(A)
	Rotor (lb-ft ²)	NEMA Load (lb-ft ²)	Max. Allowable (lb-ft ²)	Cold	Hot	
	62.000					

VFD Duty Information

Speed Range			VFD		S.F.
Constant Torque	Variable Torque	Constant Power	Carrier	Type	
20-60Hz	3-60Hz	60-60Hz	0	VPWM or CPWM	1.0 Only

Hazardous Locations Information

CSA Certified	
Class I, Div 2, Groups B, C & D Class I, Zone 2, Groups IIB+H2, IIB & IIA	
Temp Code (Sinewave / VFD)	T3 / T2C

Additional Certifications

Other Certification
Class II, Div 2, Groups F & G

Additional Information

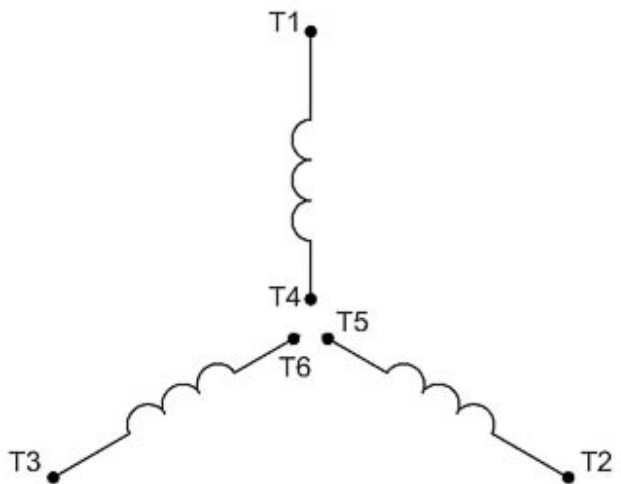
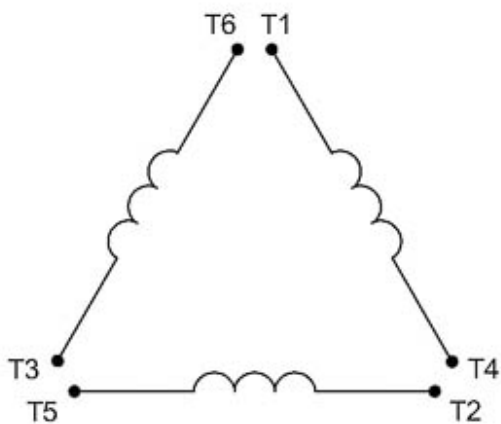
Bearings		Approx. Weight
DE	NDE	lbs
6314C3	6314C3	3000

Nameplate Drawing

Optim TEFC

TYPE	AEHH8N	CAT. NO.	PDX3502		
OUTPUT	350 HP 261.10 kW	FRAME	449TS(X)	TEFC	
R.P.M.	3583	POLE	2	INS.	F
VOLTS	460	PHASE	3	Hz	60
AMPS	375.9	CODE		S.F.	1.15
AMBIENT	40 °C	NOM. EFF. 95.80		MIN. EFF.	
BEARINGS	6314C3 / 6314C3			RATING Cont.	
SER. NO.	TBD	DESIGN		WT. 3000 LBS	
PWM VFD DUTY	VT	CT	CP	S.F.	
	3-60Hz	20-60Hz	60-60Hz	1.0 Only	

Connection Diagram

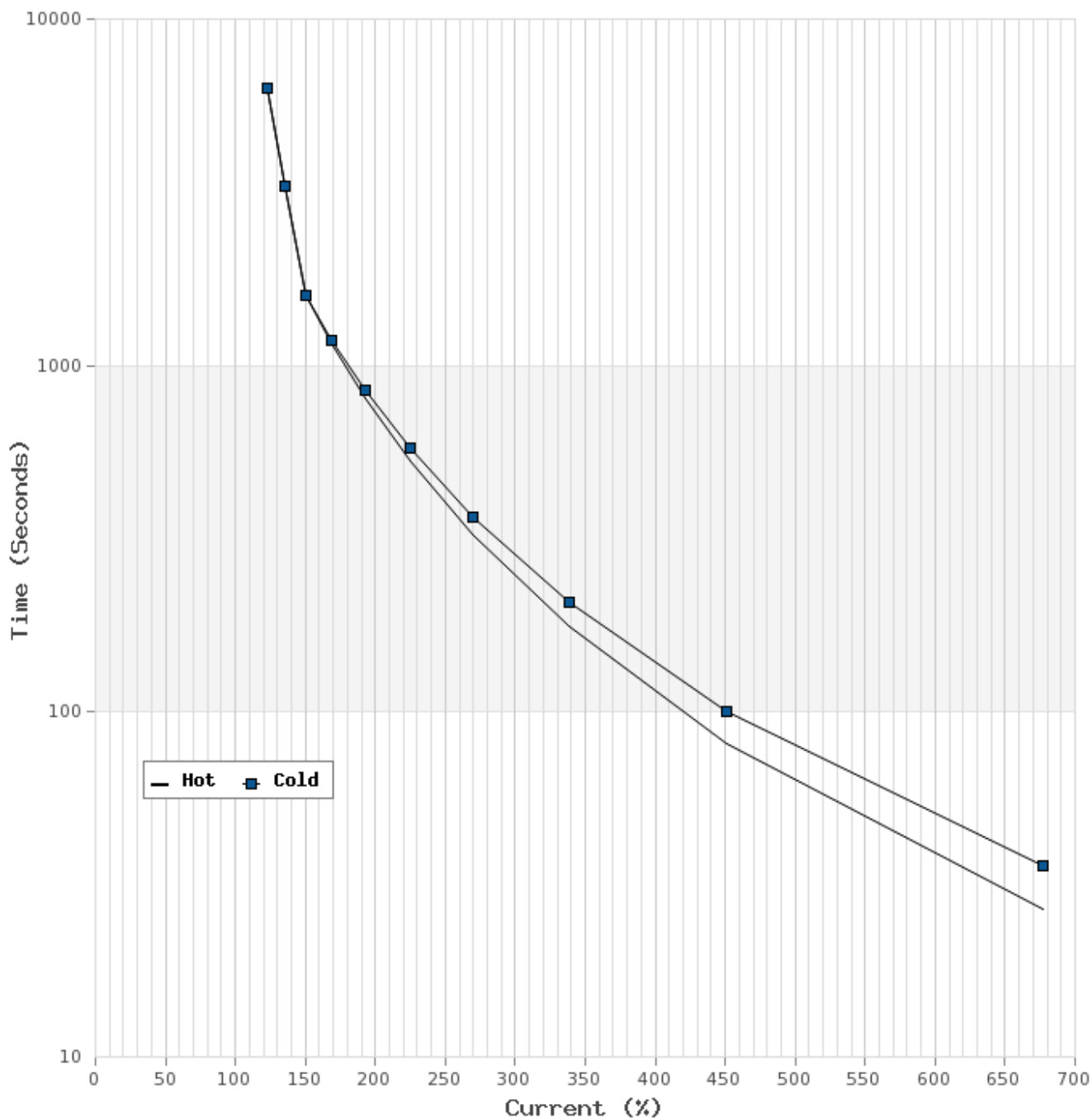


6 LEAD		SINGLE VOLTAGE			WYE/DELTA
CONNECTION		L1	L2	L3	JOIN
START	WYE	1	2	3	4&5&6
RUN	DELTA	1,6	2,4	3,5	-

WD_6YD

Thermal Limit Curves

Motor Type: AEHH8N		Catalogue No: PDX3502		Family: Optim TEFC	
HP	350	Safe Stall Time		Full Load A	375.9 A
Voltage	460V 60Hz	Hot	s	% Inrush	678 %
RPM	3600	Cold	s	Locked Rotor A	2550.00 A



T-N and I-N Curves

Motor Type: AEHH8N		Catalogue No: PDX3502		Family: Optim TEFC	
HP	350	Full Load T	513.42 lb-ft	Full Load A	375.9 A
Voltage	460V 60Hz	Locked Rotor T	130 %	Locked Rotor A	2550.0 A
RPM	3600	Pull Up T	100 %	Break Down T	260 %

