

Technical Documentation

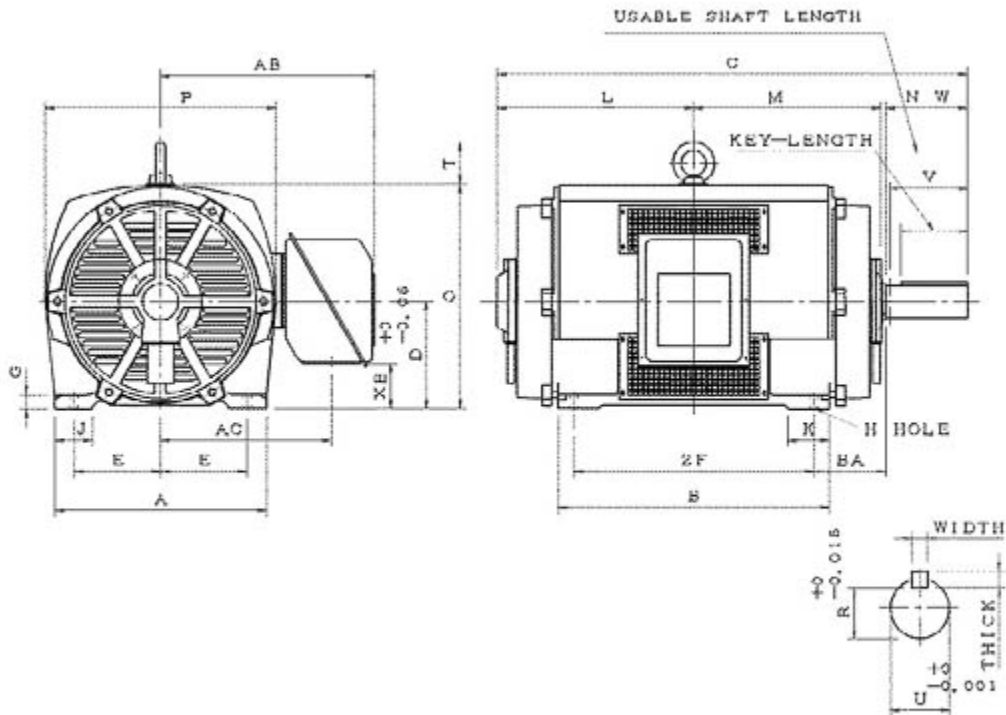
SDP1256

Optim ODP | ASHH

Date: December 1, 2016

Dimensional Drawing

Catalogue	Model	HP	Pole	kW	Rating	Voltage	Hz	RPM
SDP1256	ASHH	125	6	93	Continuous	230 / 460 V	60	1200



ASHH-HMP-1 1 0

Frame Size	Mounting					A	B	C	CD	D	
	E	2F	2F2	H	BA						
445T	9	16.5		0.81	7.5	22.05	19.7	40.3		11	
G	J	K	L	M	O	P	T	Key			Keyseat
1.4	3.95	3.75	16.05	15.25	22.15	22.05	3.55	Width	Thick	Length	R
								0.875	0.875	6.91	2.88
Terminal Housing				Aux Box		C/D Flange					
AA	AB	AC	XB	AE	AX	BB	AH	AK	BD	Aj	BF
	21.25	16.75	4.65								
Shaft Extension			Bearings		Approx. Weight Lbs	SPL dBA/3ft	Ins. Class	S.F.	Drive Method	Dimensions	
N-W	U	V	DE	NDE							
8.5	3.375	8	6318	6316	1280	78	F	1.15	Direct Coupling / Belt Drive	Inches	

Technical Data Sheet

Motor Type: ASHH

Catalogue No: SDP1256

Nameplate Information

HP	Pole	RPM	Frame	Voltage	Hz	Phase
125	6	1181	445T	230 / 460	60	3
Enclosure	Ins. Class	Service Factor	Time Rating	NEMA Design	Rated Amb.	Rated Altitude
ODP	F	1.15	Continuous	B	-40 to 40 °C	<3300 ft

Typical Performance

Efficiency (%)				Power Factor (%)		
Full Load		3/4 Load	1/2 Load	Full Load	3/4 Load	1/2 Load
Nom.	Min.					
95.0	94.1	94.5	93.3	82.0	79.2	75.4
Torque				Current (A)		
Full Load (lb-ft)	Locked Rotor (% FLT)	Pull Up (% FLT)	Break Down (% FLT)	No Load	Full Load	Locked Rotor
556.00	140	120	210	120.0 / 59.8	300.0 / 150.0	1818 / 908
NEMA KVA Code	Inertia (WR ²)			Safe Stall Time (s)		Noise Level Sound Press. dB(A)
	Rotor (lb-ft ²)	NEMA Load (lb-ft ²)	Max. Allowable (lb-ft ²)	Cold	Hot	
G	51.000	1452	3630	18	13	78

VFD Duty Information

Speed Range			VFD		S.F.
Constant Torque	Variable Torque	Constant Power	Carrier	Type	
6-60Hz	3-60Hz	60-120Hz	≤ 5 kHz	VPWM or CPWM	1.0 Only

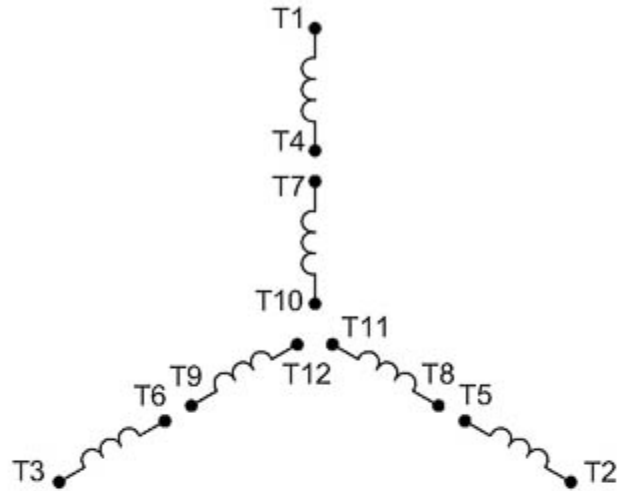
Additional Information

Bearings		Approx. Weight
DE	NDE	lbs
6318	6316	1280

Hazardous Locations Information

N/A	
Temp Code (Sinewave / VFD)	/

Connection Diagram

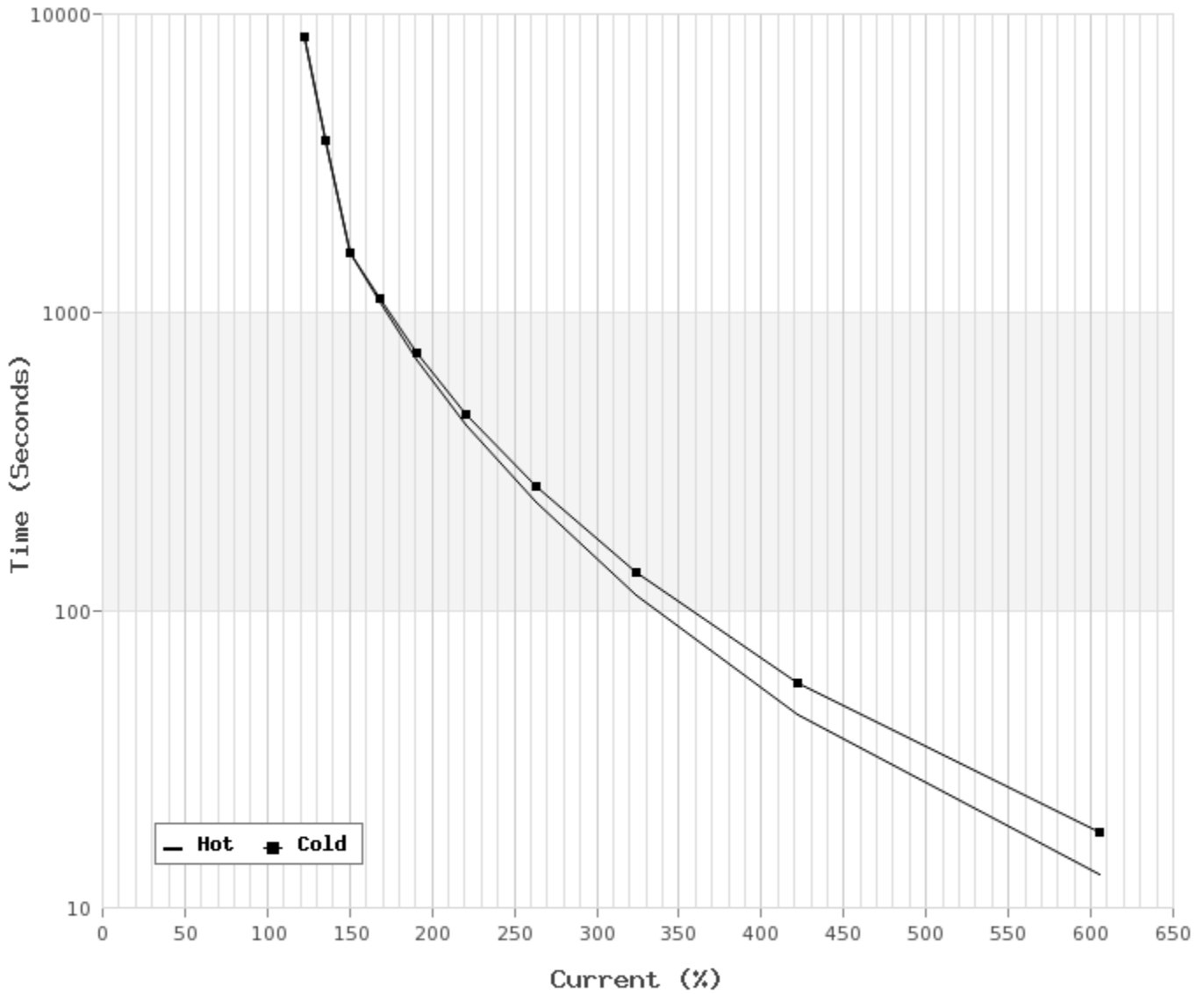


12 LEAD DUAL VOLTAGE WYE/DELTA						
VOLTAGE	CONNECTION		L1	L2	L3	JOIN
HIGH	START	WYE	1	2	3	4&7,5&8,6&9 10&11&12
	RUN	DELTA	1,12	2,10	3,11	4&7,5&8,6&9
LOW	START	2 WYE	1,7	2,8	3,9	4&5&6 10&11&12
	RUN	2 DELTA	1,6,7 12	2,4,8 10	3,5,9 11	

WD_12YD

Thermal Limit Curves

Motor Type: ASHH		Catalogue No: SDP1256		Family: Optim ODP	
HP	125	Safe Stall Time		Full Load A	300.0 / 150.0 A
Voltage	230 / 460V 60Hz	Hot	13 s	Locked Rotor A	606 / 605 %
RPM	1200	Cold	18 s	Locked Rotor A	1,818.0 / 908 A



T-N and I-N Curves

Motor Type: ASHH		Catalogue No: SDP1256		Family: Optim ODP	
HP	125	Full Load T	556.00 lb-ft	Full Load A	300.0 / 150.0 A
Voltage	230 / 460V 60Hz	Locked Rotor T	140 %	Locked Rotor A	1,818.0 / 908.0 A
RPM	1200	Pull Up T	120 %	Break Down T	210 %

