

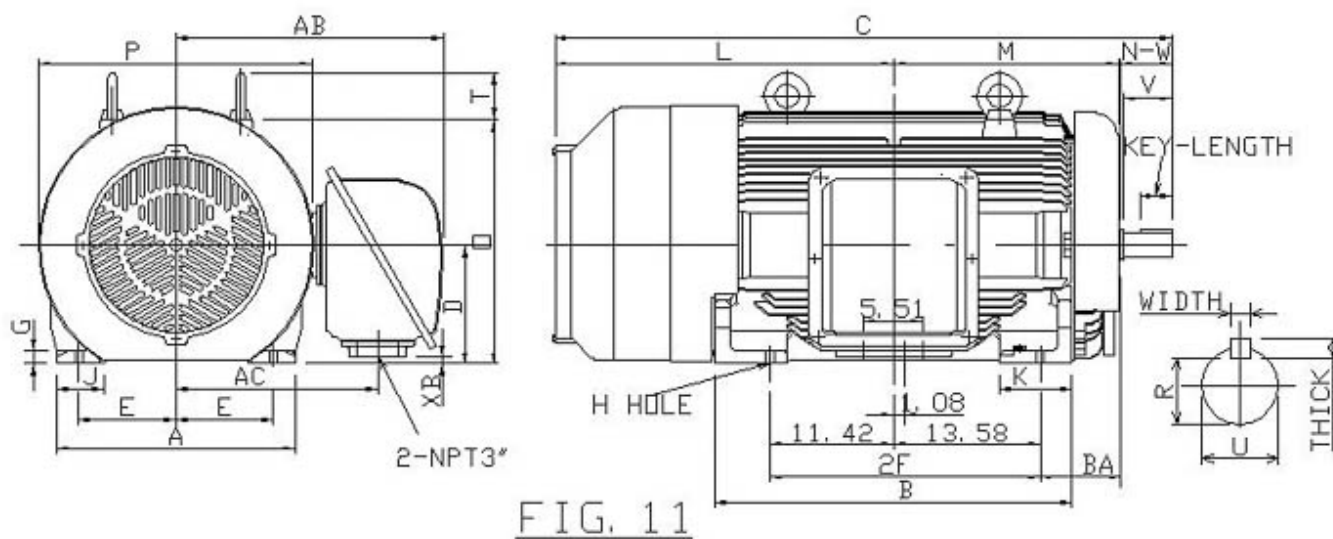
Technical Documentation

PDX30065
Optim TEFC | AEHH8N

Date: July 1, 2021

Dimensional Drawing

Catalogue	Type	HP	RPM	Voltage	Hz	Frame Size
PDX30065	AEHH8N	300	1200	575	60	449T(X)




Mounting				A	B	C	D	G	J	K	KL
E	2F	H	BA								
9	25	0.81	7.5	22.05	33.07	60.92	11	1.18	4.35	6.7	

L	M	O	P	T
31.34	20.87	22.6	25.7	4.33

Terminal Housing			
AA	AB	AC	XB
2-3	24.8	18.7	0.65

Shaft Extension			Key			Keyseat
N-W	U	V	Width	Thick	Length	R
8.5	3.375	8	0.875	0.875	6.93	2.88

Bearings		Weight Lbs	Drive Method	Dimensions
DE	NDE			
6320	6316	3130	Direct Coupling / Belt Drive	Inches

	
	Date: July 1, 2021

Technical Data Sheet

Motor Type: AEHH8N	Catalogue No: PDX30065
--------------------	------------------------

Nameplate Information

HP	Pole	RPM	Frame	Voltage	Hz	Phase
300	6	1186	449T(X)	575	60	3
Enclosure	Ins. Class	Service Factor	Time Rating	NEMA Design	Rated Amb.	Rated Altitude
TEFC	F	1.15	Continuous	0	-40 to 40 °C	<1000 m

Typical Performance

Efficiency (%)				Power Factor (%)		
Full Load		3/4 Load	1/2 Load	Full Load	3/4 Load	1/2 Load
Nom.	Min.					
95.80	0.00	96.00	95.80	84.50	81.00	73.00
Torque				Current (A)		
Full Load (lb-ft)	Locked Rotor (% FLT)	Pull Up (% FLT)	Break Down (% FLT)	No Load	Full Load	Locked Rotor
1325.79	150	120	250	0.0	277.6	1896.00
NEMA KVA Code	Inertia (WR ²)			Safe Stall Time (s)		Noise Level Sound Press. dB(A)
	Rotor (lb-ft ²)	NEMA Load (lb-ft ²)	Max. Allowable (lb-ft ²)	Cold	Hot	
0	199.000	0.00	0.00	0	0	0.0

VFD Duty Information

Speed Range			VFD		S.F.
Constant Torque	Variable Torque	Constant Power	Carrier	Type	
20-60Hz	3-60Hz	60-90Hz	0	VPWM or CPWM	1.0 Only

Hazardous Locations Information

CSA Certified
Class I, Div 2, Groups B, C & D Class I, Zone 2, Groups IIB+H2, IIB & IIA
Temp Code (Sinewave / VFD)
T3 / T2C

Additional Certifications

Other Certification
Class II, Div 2, Groups F & G

Additional Information

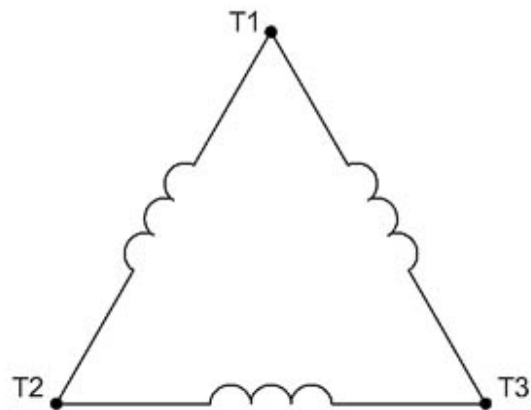
Bearings		Approx. Weight
DE	NDE	lbs
6320	6316	3130

Nameplate Drawing

Optim TEFC

TYPE	AEHH8N	CAT. NO.	PDX30065		
OUTPUT	300 HP 223.80 kW	FRAME	449T(X)	TEFC	
R.P.M.	1186	POLE	6	INS.	F
VOLTS	575	PHASE	3	Hz	60
AMPS	277.6	CODE	0	S.F.	1.15
AMBIENT	40 °C	NOM. EFF. 95.80		MIN. EFF. 0.00	
BEARINGS	6320 / 6316			RATING Cont.	
SER. NO.	TBD	DESIGN	0	WT. 3130 LBS	
PWM VFD DUTY	VT	CT	CP	S.F.	
	3-60Hz	20-60Hz	60-90Hz	1.0 Only	

Connection Diagram

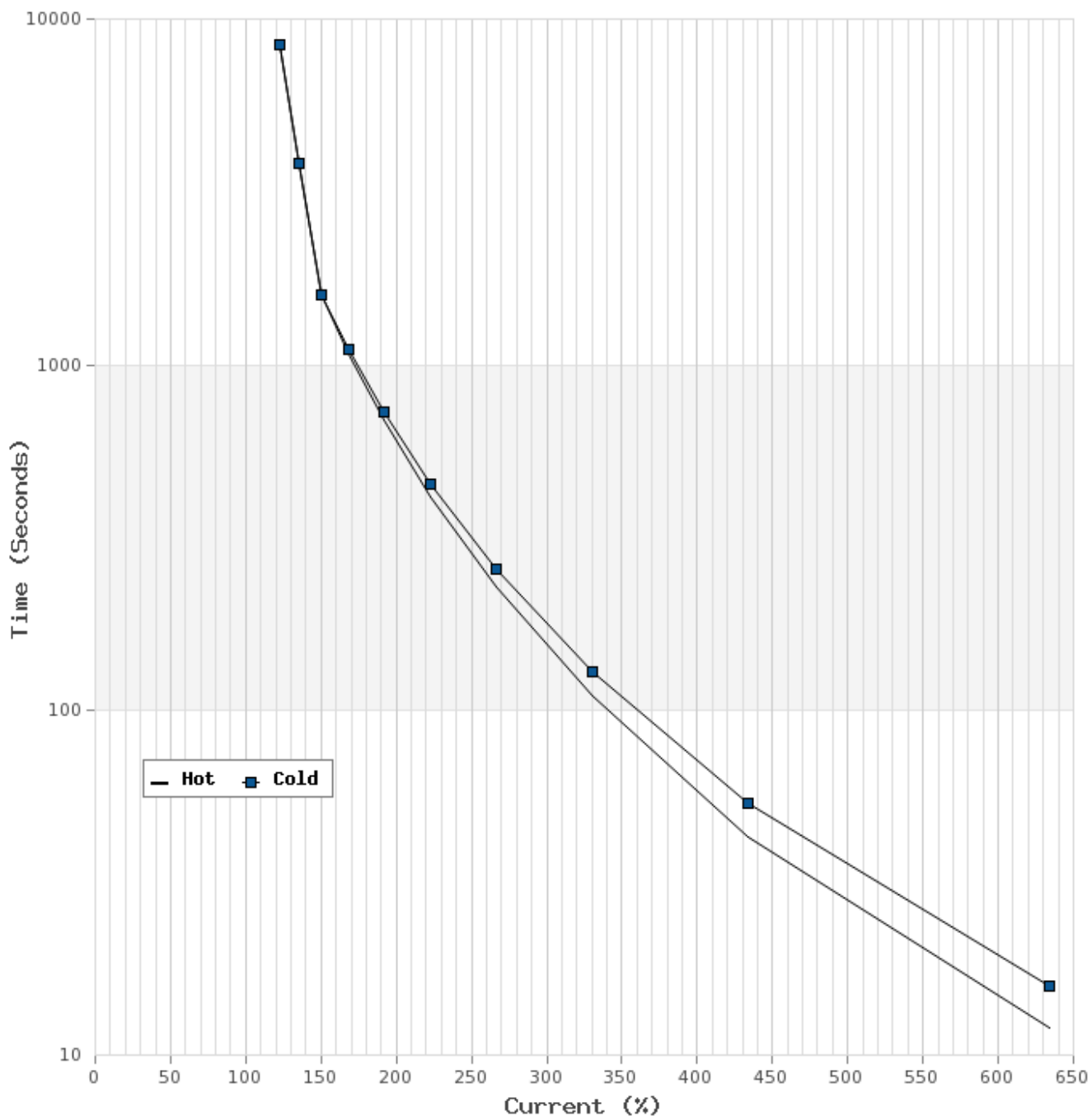


3 LEAD		SINGLE VOLTAGE			DELTA
VOLTAGE	CONN.	L1	L2	L3	
-	DELTA	1	2	3	

WD_3D

Thermal Limit Curves

Motor Type: AEHH8N		Catalogue No: PDX30065		Family: Optim TEFC	
HP	300	Safe Stall Time		Full Load A	277.6 A
Voltage	575V 60Hz	Hot	0 s	% Inrush	683 %
RPM	1200	Cold	0 s	Locked Rotor A	1896.00 A



T-N and I-N Curves

Motor Type: AEHH8N		Catalogue No: PDX30065		Family: Optim TEFC	
HP	300	Full Load T	1325.79 lb-ft	Full Load A	277.6 A
Voltage	575V 60Hz	Locked Rotor T	150 %	Locked Rotor A	1896.0 A
RPM	1200	Pull Up T	120 %	Break Down T	250 %

