

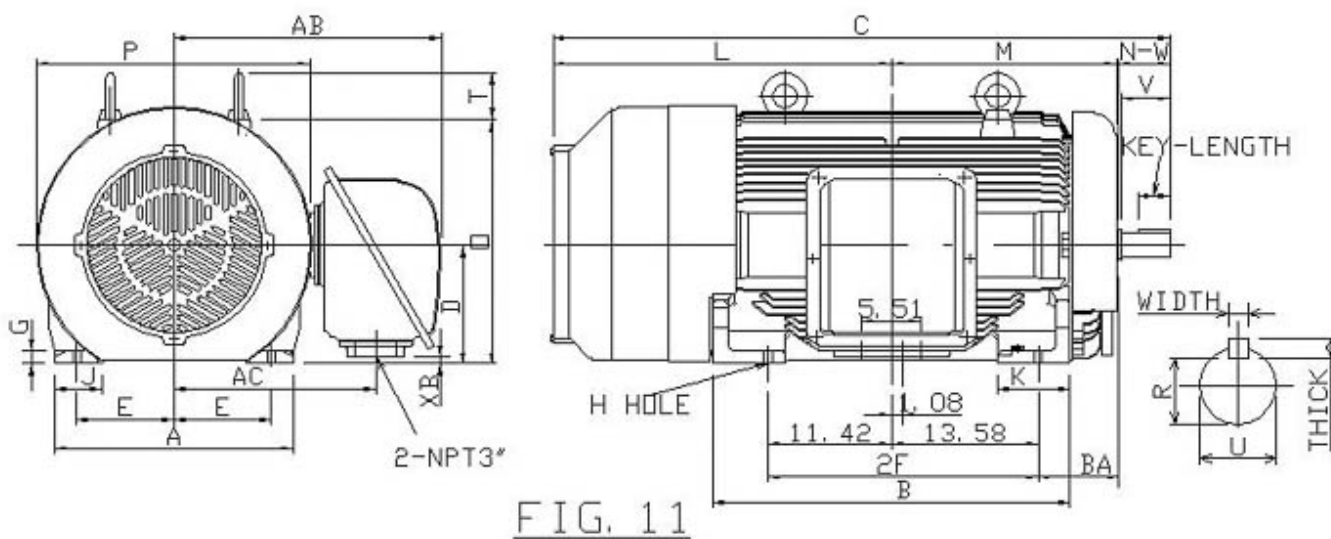
Technical Documentation

**PDX40045**  
**Optim TEFC | AEHH8N**

Date: July 2, 2021

**Dimensional Drawing**

Catalogue	Type	HP	RPM	Voltage	Hz	Frame Size
PDX40045	AEHH8N	400	1800	575	60	449T(X)



Mounting				A	B	C	D	G	J	K	KL
E	2F	H	BA								
9	25	0.81	7.5	22.05	33.07	60.92	11	1.18	4.35	6.7	

L	M	O	P	T
31.34	20.87	22.6	25.7	4.33

Terminal Housing			
AA	AB	AC	XB
2-3	24.8	18.7	0.65

Shaft Extension			Key			Keyseat
N-W	U	V	Width	Thick	Length	R
8.5	3.375	8	0.875	0.875	6.93	2.88

Bearings		Weight Lbs	Drive Method	Dimensions
DE	NDE			
6320	6316	3342	Direct Coupling / Belt Drive	Inches

### Technical Data Sheet

Motor Type: AEHH8N

Catalogue No: PDX40045

#### Nameplate Information

HP	Pole	RPM	Frame	Voltage	Hz	Phase
400	4	1788	449T(X)	575	60	3
Enclosure	Ins. Class	Service Factor	Time Rating	NEMA Design	Rated Amb.	Rated Altitude
TEFC	F	1.15	Continuous	0	-40 to 40 °C	<1000 m

#### Typical Performance

Efficiency (%)				Power Factor (%)		
Full Load		3/4 Load	1/2 Load	Full Load	3/4 Load	1/2 Load
Nom.	Min.					
96.20	0.00	96.40	96.10	88.90	86.80	80.90
Torque				Current (A)		
Full Load (lb-ft)	Locked Rotor (% FLT)	Pull Up (% FLT)	Break Down (% FLT)	No Load	Full Load	Locked Rotor
1174.53	140	120	350	0.0	350.4	2400.00
NEMA KVA Code	Inertia (WR <sup>2</sup> )			Safe Stall Time (s)		Noise Level Sound Press. dB(A)
	Rotor (lb-ft <sup>2</sup> )	NEMA Load (lb-ft <sup>2</sup> )	Max. Allowable (lb-ft <sup>2</sup> )	Cold	Hot	
0	135.000	0.00	0.00	0	0	0.0

#### VFD Duty Information

Speed Range			VFD		S.F.
Constant Torque	Variable Torque	Constant Power	Carrier	Type	
20-60Hz	3-60Hz	60-60Hz	0	VPWM or CPWM	1.0 Only

#### Hazardous Locations Information

CSA Certified	
Class I, Div 2, Groups B, C & D Class I, Zone 2, Groups IIB+H2, IIB & IIA	
Temp Code (Sinewave / VFD)	T3 / T2C

#### Additional Certifications

Other Certification
Class II, Div 2, Groups F & G

#### Additional Information

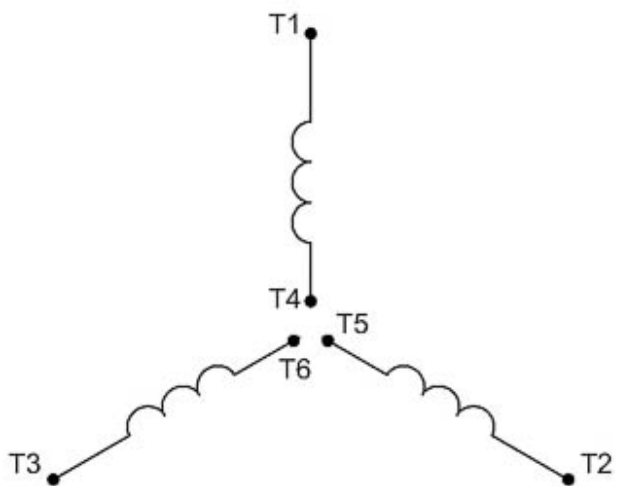
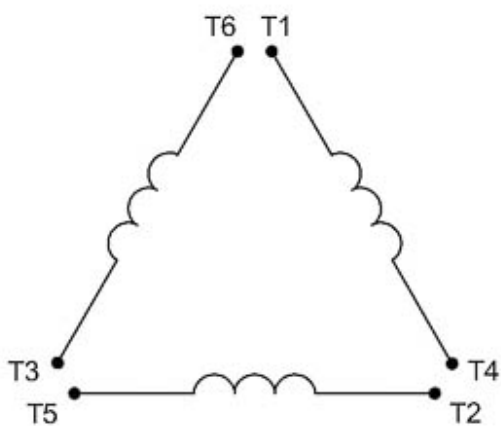
Bearings		Approx. Weight
DE	NDE	lbs
6320	6316	3342

**Nameplate Drawing**

# Optim TEFC

TYPE	AEHH8N	CAT. NO.	PDX40045		
OUTPUT	400 HP 298.40 kW	FRAME	449T(X)	TEFC	
R.P.M.	1788	POLE	4	INS.	F
VOLTS	575	PHASE	3	Hz	60
AMPS	350.4	CODE	0	S.F.	1.15
AMBIENT	40 °C	NOM. EFF. 96.20		MIN. EFF. 0.00	
BEARINGS	6320 / 6316			RATING Cont.	
SER. NO.	TBD	DESIGN	0	WT. 3342 LBS	
PWM VFD DUTY	VT	CT	CP	S.F.	
	3-60Hz	20-60Hz	60-60Hz	1.0 Only	

**Connection Diagram**



6 LEAD		SINGLE VOLTAGE			WYE/DELTA
CONNECTION		L1	L2	L3	JOIN
START	WYE	1	2	3	4&5&6
RUN	DELTA	1,6	2,4	3,5	-

WD\_6YD