

Technical Documentation

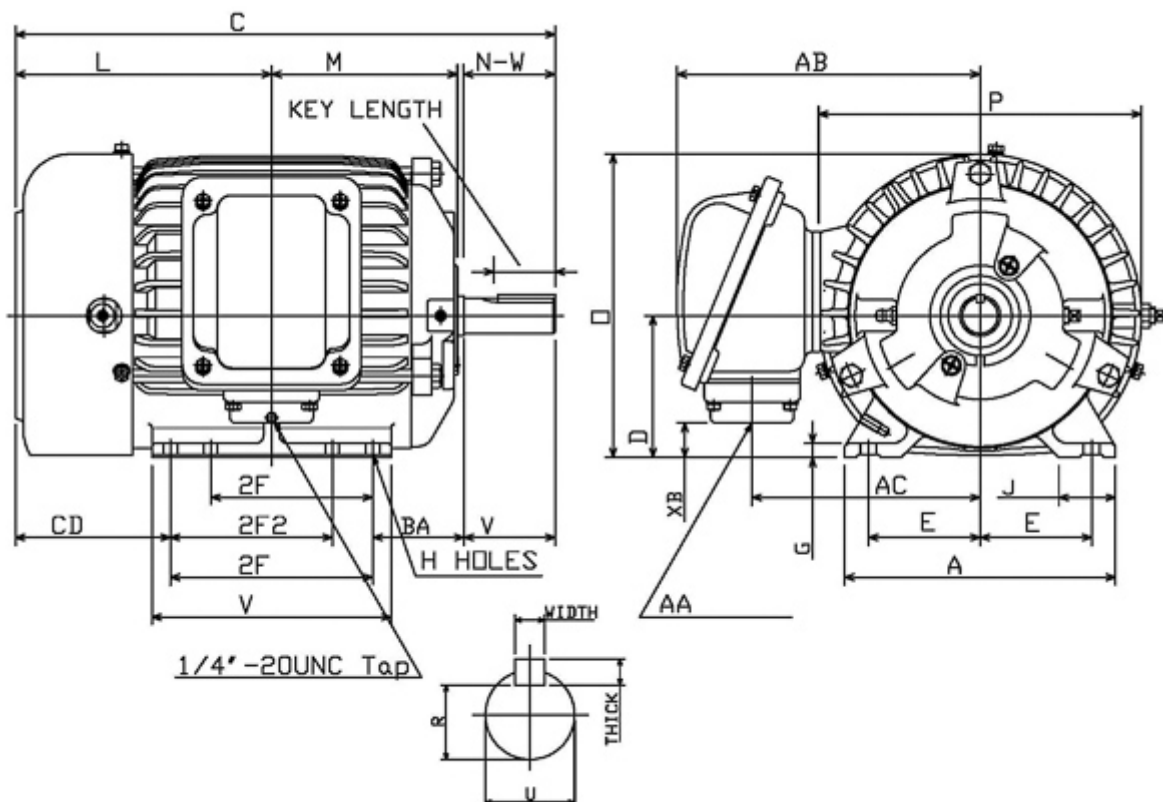
# **APH00225**

## **Advantage Plus IEEE Ready | AEHH8R**


Date: June 25, 2020

### Dimensional Drawing

Catalogue	Model	HP	Pole	kW	Rating	Voltage	Hz	RPM
APH00225	AEHH8R	2	2	1.5	Continuous	575	60	3600



Frame Size	Mounting					A	B	C	CD	D	
	E	2F	2F2	H	BA						
145T	2.75	5	4	0.34	2.25	6.7	5.1	13.54		3.5	
G	J	K	L	M	O	P	T	Key			Keyseat
0.35	1.4		6.54	4.53	7.48	7.95		Width	Thick	Length	R
								0.188	0.188	1.41	0.771
Terminal Housing			Aux Box			C/D Flange					
AA	AB	AC	XB	AE	AX	BB	AH	AK	BD	AJ	BF
NPT3/4"	7.56	5.63	0.86								
Shaft Extension			Bearings		Approx. Weight Lbs	SPL dBA/3ft	Ins. Class	S.F.	Drive Method	Dimensions	
N-W	U	V	DE	NDE							
2.25	0.875	2.2	6205ZC3	6205ZC3	62	61	F	1.15	Direct Coupling / Belt Drive	Inches	

	
	Date: June 25, 2020

### Technical Data Sheet

Motor Type: AEHH8R	Catalogue No: APH00225
--------------------	------------------------

#### Nameplate Information

HP	Pole	RPM	Frame	Voltage	Hz	Phase
2	2	3465	145T	575	60	3
Enclosure	Ins. Class	Service Factor	Time Rating	NEMA Design	Rated Amb.	Rated Altitude
TEFC	F	1.15	Continuous	B	-40 to 40 °C	<1000 m

#### Typical Performance

Efficiency (%)				Power Factor (%)		
Full Load		3/4 Load	1/2 Load	Full Load	3/4 Load	1/2 Load
Nom.	Min.					
86.5	84.0	86.5	85.5	86.0	80.5	70.0
Torque				Current (A)		
Full Load (lb-ft)	Locked Rotor (% FLT)	Pull Up (% FLT)	Break Down (% FLT)	No Load	Full Load	Locked Rotor
3.03	350	315	390	0.8	2.0	20
NEMA KVA Code	Inertia (WR <sup>2</sup> )			Safe Stall Time (s)		Noise Level Sound Press. dB(A)
	Rotor (lb-ft <sup>2</sup> )	NEMA Load (lb-ft <sup>2</sup> )	Max. Allowable (lb-ft <sup>2</sup> )	Cold	Hot	
L	0.064	2.40	6.50	17	12	61

#### VFD Duty Information

Speed Range			VFD		S.F.
Constant Torque	Variable Torque	Constant Power	Carrier	Type	
6-60Hz	3-60Hz	60-120Hz	≤ 5 kHz	VPWM or CPWM	1.0 Only

#### Hazardous Locations Information

CSA Certified
Class I, Div 2, Groups B, C & D Class I, Zone 2, Groups IIB+H2, IIB & IIA
Temp Code (Sinewave / VFD)
T3C / T3C

#### Additional Certifications

Other Certification
Class II, Div 2, Groups F & G

#### Additional Information

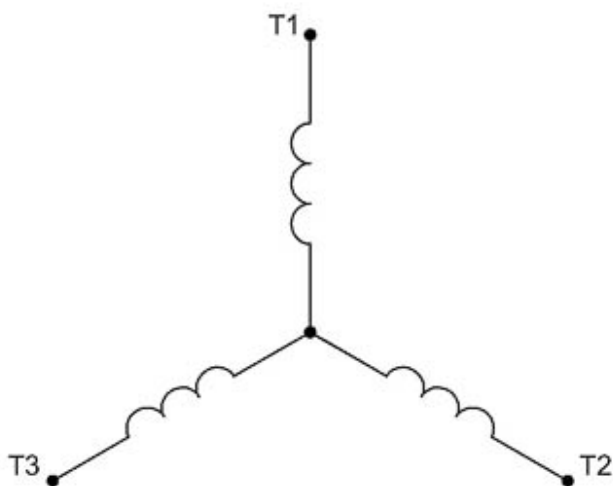
Bearings		Approx. Weight
DE	NDE	lbs
6205ZC3	6205ZC3	62

**Nameplate Drawing**

# Advantage Plus IEEE Ready

TYPE	AEHH8R	CAT. NO.	APH00225		
OUTPUT	2 HP 1.5 kW	FRAME	145T	TEFC	
R.P.M.	3465	POLE	2	INS.	F
VOLTS	575	PHASE	3	Hz	60
AMPS	2.0	CODE	L	S.F.	1.15
AMBIENT	40 °C	NOM. EFF. 86.5		MIN. EFF. 84.0	
BEARINGS	6205ZC3 / 6205ZC3			RATING Cont.	
SER. NO.	TBD	DESIGN	B	WT. 62 LBS	
PWM VFD DUTY	VT	CT	CP	S.F.	
	3-60Hz	6-60Hz	60-120Hz	1.0 Only	

**Connection Diagram**

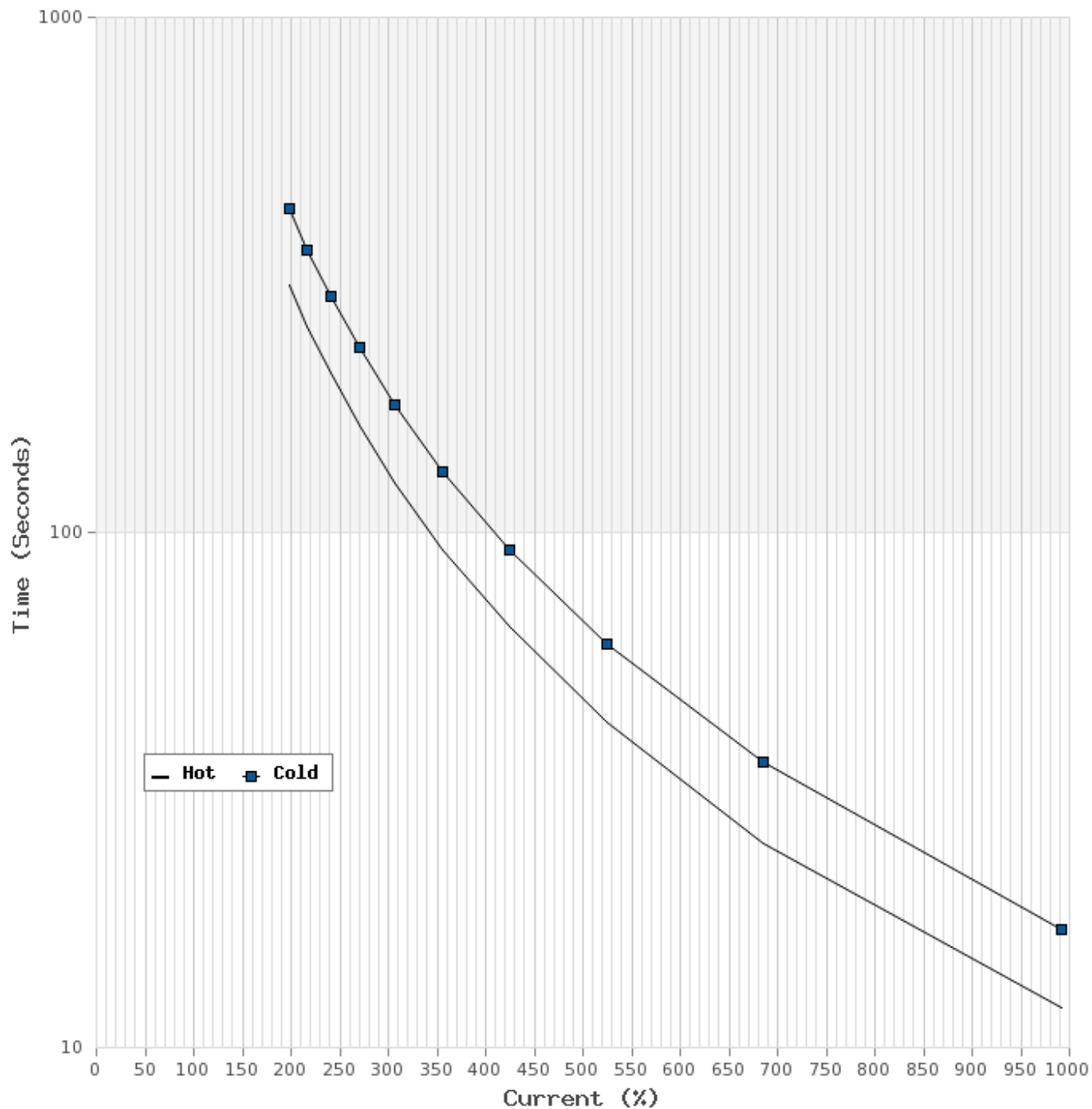


3 LEAD		SINGLE VOLTAGE			WYE
VOLTAGE	CONN.	L1	L2	L3	
-	WYE	1	2	3	

WD\_3Y

### Thermal Limit Curves

Motor Type: AEHH8R		Catalogue No: APH00225		Family: Advantage Plus IEEE Ready	
HP	2	Safe Stall Time		Full Load A	2.0 A
Voltage	575V 60Hz	Hot	12 s	% Inrush	995 %
RPM	3600	Cold	17 s	Locked Rotor A	20 A



**T-N and I-N Curves**

Motor Type: AEHH8R		Catalogue No: APH00225		Family: Advantage Plus IEEE Ready	
HP	2	Full Load T	3.03 lb-ft	Full Load A	2.0 A
Voltage	575V 60Hz	Locked Rotor T	350 %	Locked Rotor A	20.0 A
RPM	3600	Pull Up T	315 %	Break Down T	390 %

